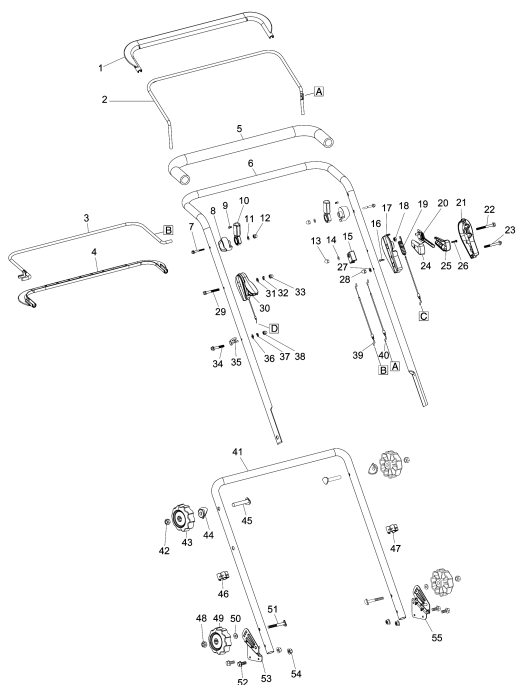
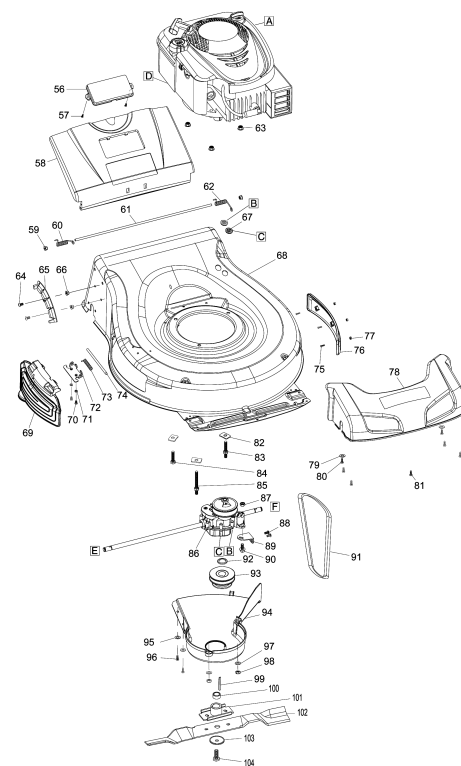


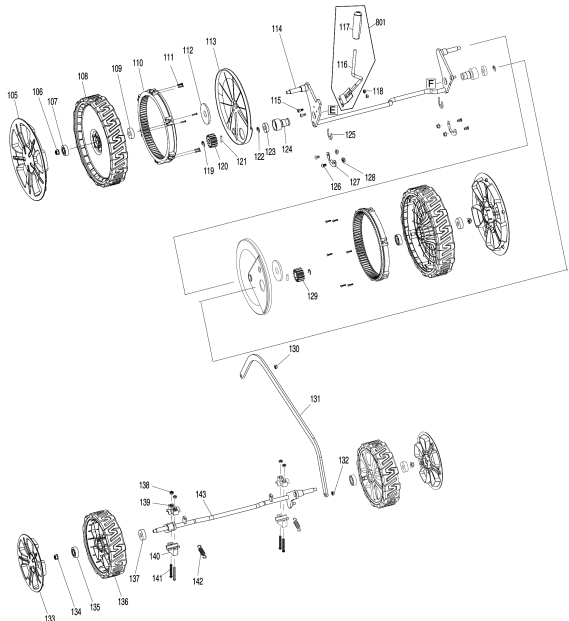
Model No.PM5600S3 PETROL LAWN MOWER



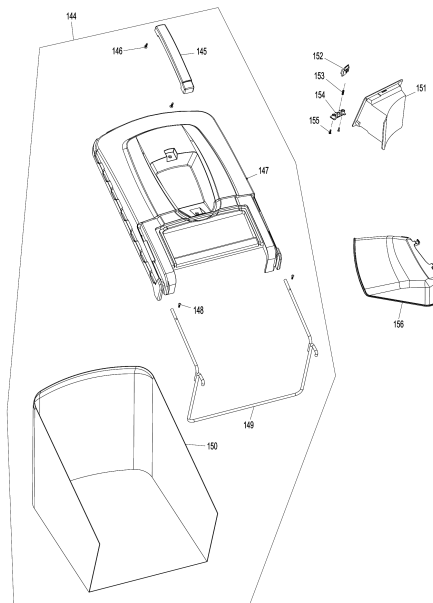
Model No.PM5600S3 PETROL LAWN MOWER



Model No.PM5600S3 PETROL LAWN MOWER



Model No.PM5600S3 PETROL LAWN MOWER



## Model No.PM5600S3 PETROL LAWN MOWER

Item	Parts No.	Description	L/C	Qty	New/Old	Opt. 1	Opt. 2	Note
001	671020120	LEVER SHEATH RED		1				
002	671002293	ENGINE CLUTCH LEVER		1				
003	671002294	SELF DRIVE CONTROL LEVER		1				
004	671020110	LEVER SHEATH BLACK		1				
005	DA00000580	HANDLE SHEATH		1				
006	671001868	UPPER HANDLE BAR ASSY		1				
007	671006029	HEX. FLANGE BOLT M6X45		2				
008	671990001	ENGINE CLUTCH LEVER BRACKET		2				
009	671002025	PAN. HEAD SCREW M4X8		2				
010	671989001	ENGINE CLUTCH LEVER END CAP		2				
011	671007070	FLAT WASHER 6		2				
012	DA00000575	HEX.CAP NUT M6		2				
013	DA00000575	HEX.CAP NUT M6		1				
014	DA00000574	FLAT WASHER 6		1				
015	DA00000573	OUTER WIRE STOPPER		1				
016	DA00000826	SELF-TAPPING SCREW ST4X12		1				
017	671827001	SPEED CONTROL BOX UPPER COVER		1				
018	DA00000549	NYLON INSERT HEX.LOCK NUT M6		1				
019	671001243	DRIVE SPEED ADJUST WIRE ASSY		1				
020	671002279	DRIVE SPEED ADJUST LEVER		1				
021	671828001	SPEED CONTROL BOX LOWER COVER		1				
022	DA00000572	HEX.FLANGE BOLT M6X55		1				
023	671006082	HEX. FLANGE BOLT M6X50		1				
024	DA00000870	DRIVE SPEED ADJUST GRIP LOWER		1				
025	DA00000869	DRIVE SPEED ADJUST GRIP UPPER		1				
026	DA00000873	TAPPING SCREW ST4.2X15		1				
027	DA00000574	FLAT WASHER 6		1				
028	DA00000575	HEX.CAP NUT M6		1				
029	671006082	HEX. FLANGE BOLT M6X50		1				
030	671106202	THROTTLE CONTROL BOX ASSY		1				
031	DA00000574	FLAT WASHER 6		1				
032	DA00000576	SPRING WASHER 6		1				
033	DA00000575	HEX.CAP NUT M6		1				
034	DA00000577	HEX.FLANGE BOLT M6X35		1				
035	DA00000579	STARTER GRIP HOOK		1				
036	DA00000574	FLAT WASHER 6		1				
037	DA00000576	SPRING WASHER 6		1				
038	DA00000575	HEX.CAP NUT M6		1				

Please order the parts with part number.

Print Date 6/10/2020

<https://msi.makita.co.jp/MsiWW/MsiWW/swf/print.html>

9/13

## Model No.PM5600S3 PETROL LAWN MOWER

Item	Parts No.	Description	L/C	Qty	New/Old	Opt. 1	Opt. 2	Note
039	671001242	SELF DRIVE CONTROL WIRE ASSY		1				
040	671001241	ENGINE CLUTCH WIRE		1				
041	671001869	LOWER HANDLE POLE		1				
042	DA00000563	HEXAGON NUT M8		2				
043	DA00000564	KNOB		2				
044	DA00000924	PLASTIC SADDLE WASHER 8		2				
045	DA00000569	SADDLE HEAD BOLT M8X58		2				
046	DA00001170	CABLE CLIP		1				
047	DA00001170	CABLE CLIP		1				
048	DA00000563	HEXAGON NUT M8		2				
049	DA00000564	KNOB		2				
050	671007007	FLAT WASHER 8		2				
051	DA00000880	SADDLE HEAD BOLT M8X35		2				
052	DA00000562	HEX.FLANGE BOLT M8X16		4				
053	671001829	RIGHT HANDLE BRACKET RED		1				
054	DA00000537	HEX.FLANGE LOCK NUT M8		4				
055	671018270	LEFT HANDLE BRACKET RED		1				
056	671385001	GRASS LEVEL INSPECTION WINDOW		1				
057	671010710	TAPPING SCREW ST4X12		2				
058	671004613	REAR FLAP		1				
059	DA00000543	HEX.FLANGE LOCK NUT M6		2				
060	671011229	REAR FLAP TORSION SPRING R		1				
061	671001484	REAR FLAP HINGE ROD		1				
062	671011228	REAR FLAP TORSION SPRING L		1				
063	DA00000537	HEX.FLANGE LOCK NUT M8		3				
064	671002019	TRUSS HEAD SCREW M6X12		2				
065	DA00000791	HEIGHT ADJUSTER STOP PLATE		1				
066	DA00000543	HEX.FLANGE LOCK NUT M6		2				
067	671800104	GROMMET		2				
068	671001878	DECK RED		1				
069	671406001	SIDE DISCHARGE FLAP COVER		1				
070	671002010	PAN.HED SCREW M5X12		2				
071	DA00000198	SPRING WASHER 5		2				
072	671002183	SIDE FLAP HINGE PLATE		1				
073	671111300	SIDE FLAP TORSION SPRING		1				
074	671001019	SIDE DISCHARGE FLAP HINGE ROD		1				
075	671006085	SCREW M4X10		3				
076	DA00000878	SIDE PROTECTOR LEFT SIDE		1				
077	DA00000033	HEX NUT M4		3				

Please order the parts with part number.

Print Date 6/10/2020

<https://msi.makita.co.jp/MsiWW/MsiWW/swf/print.html>

10/13

## Model No.PM5600S3 PETROL LAWN MOWER

Item	Parts No.	Description	L/C	Qty	New/Old	Opt. 1	Opt. 2	Note
078	671825001	FRONT AXLE COVER		1				
079	671007004	WASHER 5		2				
080	DA00000888	TAPPING SCREW ST5X12		2				
081	671001037	TRUSS HEAD TAPPING SCREW 5X16		5				
082	DA00000582	SQUARE WASHER 8		3				
083	DA00000617	SPECIAL HEX.BOLT M8X35/M8X17		1				
084	DA00000586	HEX. BOLT M8X35		1				
085	671003024	SPECIAL HEX. BOLT M8X80/M8X17		1				
086	671502027	GEAR ASSY FOR SELF DRIVING		1				
087	DA00000549	NYLON INSERT HEX.LOCK NUT M6		2				
088	DA00000553	HEX. FLANGE BOLT M6X12		1				
089	671002297	GEAR BOX MOUNT ANGLE		1				
090	671006181	HEX. FLANGE BOLT M6X17		1				
091	671002065	V BELT 10MMX6MM L=817MM		1				
092	671002351	FLAT WASHER		1				
093	671004019	V PULLEY ASSY		1				
094	671560001	BELT PROTECTING COVER		1				
095	671008011	TOOTHED LOCK WASHER 5		2				
096	671001037	TRUSS HEAD TAPPING SCREW 5X16		2				
097	671007007	FLAT WASHER 8		2				
098	671005008	NYLON INSERT HEX.LOCK NUT M8		2				
099	671090002	FLAT KEY		1				
100	671002089	BLADE SPASER SLEEVE		1				
101	671015252	INNER FRANGE		1				
102	671002532	BLADE 56		1	*			
102-1	DA00001275	BLADE 56	<	1				
103	DA00000529	DISH SPRING WASHER 10		1				
104	671006065	BLADE TIGHTEN BOLT 3/8-24 UNF		1				
105	671001322	WHEEL COVER 10 INCH		2				
106	DA00000537	HEX.FLANGE LOCK NUT M8		2				
107	DA00000538	BALL BEARING 6201ZZ		2				
108	671002021	WHEEL ASSY 11 INCH		2				
109	DA00000538	BALL BEARING 6201ZZ		2				
110	671200010	INTERNAL GEAR		2				
111	DA00000603	TAPPING SCREW ST4X16		12				
112	671007065	WASHER		2				
113	671251800	DUST-PROOF WHEEL COVER		2				
114	671002296	REAR AXLE		1				
115	671002030	PAN. HEAD SCREW M6X14		2				

Please order the parts with part number.

Print Date 6/10/2020

<https://msi.makita.co.jp/MsiWW/MsiWW/swf/print.html>

11/13

## Model No.PM5600S3 PETROL LAWN MOWER

Item	Parts No.	Description	L/C	Qty	New/Old	Opt. 1	Opt. 2	Note
116	DA00000879	HEIGHT ADJUSTER HANDLE		1				
117	DA00001058	HEIGHT ADJUSTMENT KNOB		1				
118	DA00000549	NYLON INSERT HEX.LOCK NUT M6		2				
119	DA00000604	STOP RING E-12		2				
120	DA00000607	SPUR GEAR 14 RIGHT		1				
121	DA00000597	COLUMN PIN 5X21.5		2				
122	DA00000604	STOP RING E-12		2				
123	DA00001029	BALL BEARING R8ZZ		2				
124	DA00000610	DRIVE SHAFT BEARING CASE		2				
125	DA00000612	STOP RING E-19		2				
126	671002019	TRUSS HEAD SCREW M6X12		4				
127	DA00000542	BEARING CASE RETAINER		2				
128	DA00000543	HEX.FLANGE LOCK NUT M6		4				
129	DA00000605	SPUR GEAR 14 LEFT		1				
130	DA00000549	NYLON INSERT HEX.LOCK NUT M6		1				
131	671002292	LINK ROD		1				
132	DA00000549	NYLON INSERT HEX.LOCK NUT M6		1				
133	DA00000536	WHEEL COVER 7 INCH		2				
134	DA00000537	HEX.FLANGE LOCK NUT M8		2				
135	DA00000538	BALL BEARING 6201ZZ		2				
136	671020160	WHEEL ASSY 8 INCH		2				
137	DA00000538	BALL BEARING 6201ZZ		2				
138	DA00000549	NYLON INSERT HEX.LOCK NUT M6		4				
139	671445001	FRONT AXLE RETAINER		2				
140	671076001	FRONT AXLE MOUNT		2				
141	671006002	HEX. BOLT M6X65		4				
142	671011087	HEIGHT ADJUST TENSION SPRING		2				
143	671002295	FRONT AXLE		1				
144	671005164	GRASS CATCHER ASSY DOLMAR		1				
D10		INC. 145-150						
145	671384001	GRASS CATCHER HANDLE		1				
146	671001037	TRUSS HEAD TAPPING SCREW 5X16		2				
147	671409001	GRASS CATCHER UPPER BOARD		1				
148	671001032	TAPPING SCREW ST4.2X18		2				
149	671001382	GRASS CATCHER FRAME		1				
150	671137910	GRASS CATCH SIDE CLOSS SET DOL		1				
151	671315001	MULCHING PLUG BOX		1				
152	671317001	PRESSING BOARD OF LOCKING		1				

Please order the parts with part number.

Print Date 6/10/2020

<https://msi.makita.co.jp/MsiWW/MsiWW/swf/print.html>

12/13

## Model No.PM5600S3 PETROL LAWN MOWER

Item	Parts No.	Description	I/C	Qty	New/Old	Opt. 1	Opt. 2	Note
153	671011005	COMPRESSION SPRING		1				
154	671316004	LOCKING BUTTON		1				
155	DA00000603	TAPPING SCREW ST4X16		2				
156	671065001	SIDE DISCHARGE OUTLET		1				
A01	671001078	BOX WRENCH 21MM		1				
A02	DA00000584	WRENCH HANDLE		1				
B01	DA00001077	HEIGHT HANDLE SHEATH ASS'Y		1				
D10		INC. 116.117						

Please order the parts with part number.

Print Date 6/10/2020