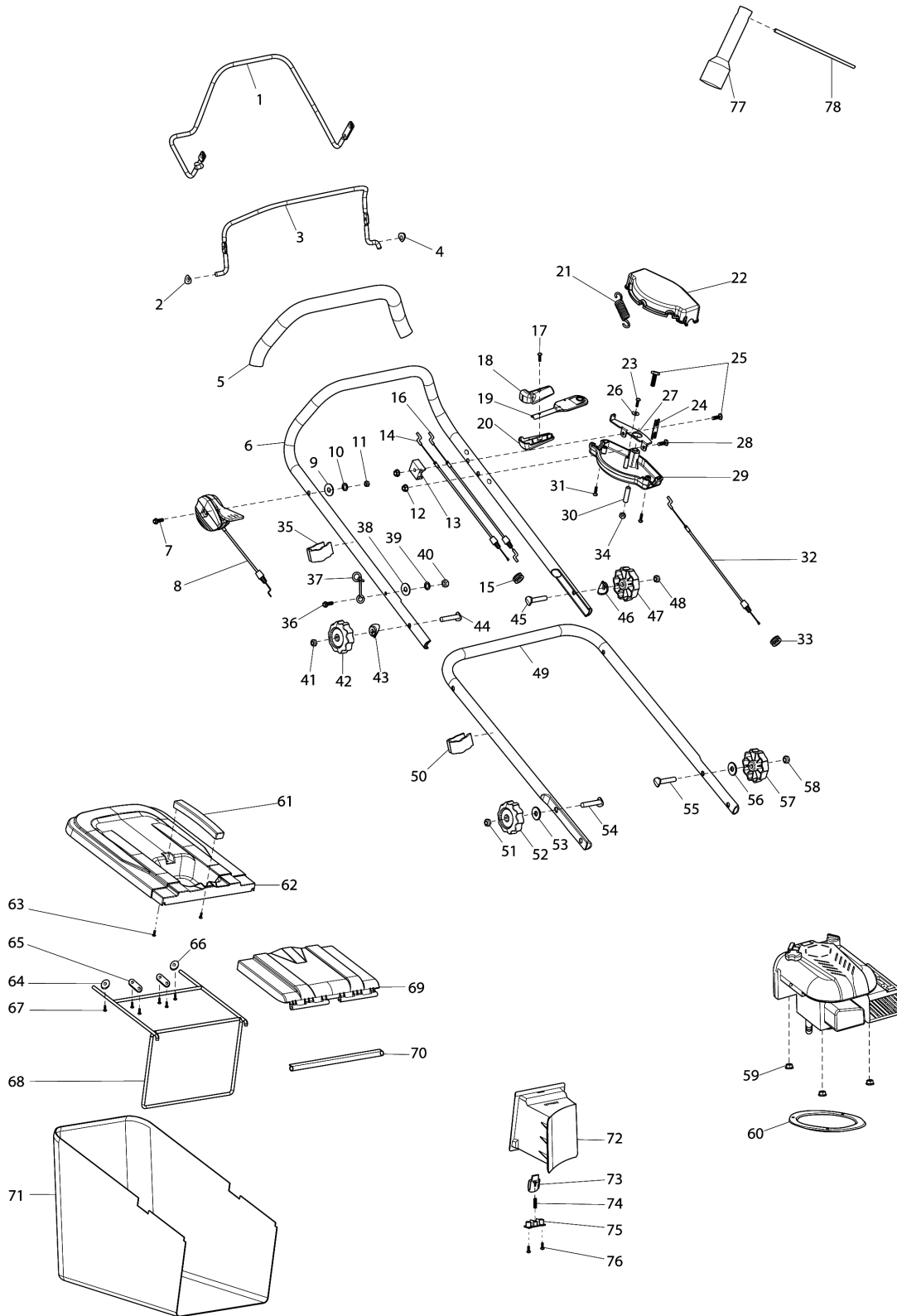
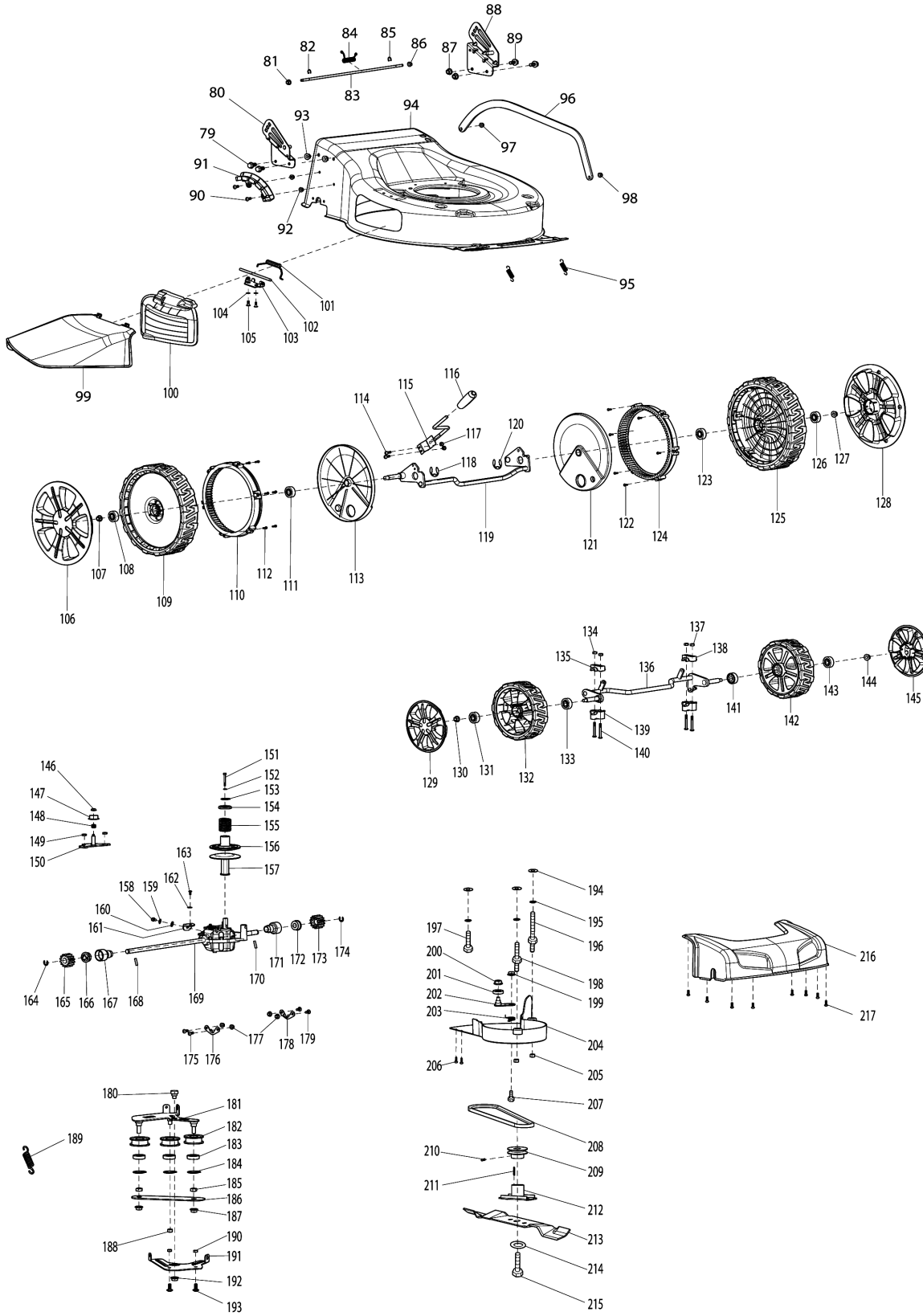


Model No.PM5101S3R PETROL LAWN MOWER



# Model No.PM5101S3R PETROL LAWN MOWER



Model No.PM5101S3R PETROL LAWN MOWER

Item	Parts No.	Description	I/C	Qty	New/Old	Opt. 1	Opt. 2	Note
001	DA00000964	SELF DRIVE CONTROL LEVER		1				
002	671001524	SADDLE WASHER 8		1				
003	DA00000961	ENGINE CLUTCH LEVER		1				
004	671001524	SADDLE WASHER 8		1				
005	671001029	HANDLE SHEATH		1				
006	DA00000963	UPPER HANDLE BAR		1				
007	671006082	HEX. FLANGE BOLT M6X50		1				
008	DA00001160	THROTTLE HANDLE ASS'Y		1				
009	DA00000574	FLAT WASHER 6		1				
010	DA00000576	SPRING WASHER 6		1				
011	DA00000575	HEX.CAP NUT M6		1				
012	DA00000543	HEX.FLANGE LOCK NUT M6		2				
013	DA00000573	OUTER WIRE STOPPER		1				
014	DA00000977	SELF DRIVE CONTROL WIRE ASSY		1				
015	671800104	GROMMET		1				
016	DA00001173	FRAMEOUT CORD ASS'Y		1				
017	DA00000873	TAPPING SCREW ST4.2X15		1				
018	DA00000869	DRIVE SPEED ADJUST GRIP UPPER		1				
019	DA00000972	DRIVE SPEED ADJUST LEVER		1				
020	DA00000870	DRIVE SPEED ADJUST GRIP LOWER		1				
021	671011123	EXTENTION SPRING		1				
022	671470002	SPEED ADJUSTMENT BOX(UPPER)		1				
023	DA00000603	TAPPING SCREW ST4X16		1				
024	671001511	OUTER WIRE STOPPER PLATE		1				
025	671006063	HEX.BOLT M6X40		2				
026	671002075	FLAT WASHER 4		1				
027	671001514	DRIVE SPEED ADJUST LEVER MOUNT		1				
028	DA00000577	HEX.FLANGE BOLT M6X35		1				
029	671470001	SPEED ADJUSTMENT BOX(LOWER)		1				
030	671001513	SHEATH		1				
031	671010630	TAPPING SCREW ST4.2X25		2				
032	671001191	DRIVE SPEED ADJUST WIRE ASSY		1				
033	671800104	GROMMET		1				
034	DA00000543	HEX.FLANGE LOCK NUT M6		1				
035	671611001	CABLE CLIP		1				
036	DA00000577	HEX.FLANGE BOLT M6X35		1				
037	DA00000579	STARTER GRIP HOOK		1				
038	DA00000574	FLAT WASHER 6		1				
039	DA00000576	SPRING WASHER 6		1				

Model No.PM5101S3R PETROL LAWN MOWER

Item	Parts No.	Description	I/C	Qty	New/Old	Opt. 1	Opt. 2	Note
040	DA00000575	HEX.CAP NUT M6		1				
041	DA00000563	HEXAGON NUT M8		1				
042	DA00000564	KNOB		1				
043	DA00000924	PLASTIC SADDLE WASHER 8		1				
044	DA00000569	SADDLE HEAD BOLT M8X58		1				
045	DA00000569	SADDLE HEAD BOLT M8X58		1				
046	DA00000924	PLASTIC SADDLE WASHER 8		1				
047	DA00000564	KNOB		1				
048	DA00000563	HEXAGON NUT M8		1				
049	671001606	LOWER HANDLE BAR		1				
050	671611001	CABLE CLIP		1				
051	DA00000563	HEXAGON NUT M8		1				
052	DA00000564	KNOB		1				
053	671007007	FLAT WASHER 8		1				
054	DA00000880	SADDLE HEAD BOLT M8X35		1				
055	DA00000880	SADDLE HEAD BOLT M8X35		1				
056	671007007	FLAT WASHER 8		1				
057	DA00000564	KNOB		1				
058	DA00000563	HEXAGON NUT M8		1				
059	DA00000537	HEX.FLANGE LOCK NUT M8		3				
060	671144701	ENGINE MOUNT RUBBER RING		1				
061	671454001	GRASS CATCHER HANDLE		1				
062	671521001	GRASS CATCHER UPPER BOARD		1				
063	DA00000326	TAPPING SCREW ST5X16		2				
064	DA00000025	WASHER 5		1				
065	DA00000335	RETAINER PLATE		2				
066	DA00000025	WASHER 5		1				
067	DA00000888	TAPPING SCREW ST5X12		6				
068	671001443	GRASS CATCHER FRAME		1				
069	671468001	REAR FLAP		1				
070	671001353	GRASS CATCHER FRAME SHEATH		1				
071	DA00000967	GRASS CATCHER(DOLMAR LOGO)		1				
072	671509001	MULCHING PLUG BOX		1				
073	671316004	LOCKING BUTTON		1				
074	671011005	COMPRESSION SPRING		1				
075	671317001	PRESSING BOARD OF LOCKING		1				
076	DA00000603	TAPPING SCREW ST4X16		2				
077	DA00000583	BOX WRENCH 16MM		1				
078	DA00000584	WRENCH HANDLE		1				
079	DA00000562	HEX.FLANGE BOLT M8X16		2				

Model No.PM5101S3R PETROL LAWN MOWER

Item	Parts No.	Description	I/C	Qty	New/Old	Opt. 1	Opt. 2	Note
080	671001356	RIGHT HANDLE BRACKET RED		1				
081	DA00000543	HEX.FLANGE LOCK NUT M6		1				
082	671009017	STOP RING E-6		1				
083	671001518	REAR FLAP HINGE ROD		1				
084	671011101	REAR FLAP TORSION SPRING		1				
085	671009017	STOP RING E-6		1				
086	DA00000543	HEX.FLANGE LOCK NUT M6		1				
087	DA00000537	HEX.FLANGE LOCK NUT M8		2				
088	671001355	LEFT HANDLE BRACKET RED		1				
089	DA00000562	HEX.FLANGE BOLT M8X16		2				
090	671002019	TRUSS HEAD SCREW M6X12		2				
091	DA00000788	HEIGHT ADJUSTMENT PLATE		1				
092	DA00000543	HEX.FLANGE LOCK NUT M6		2				
093	DA00000537	HEX.FLANGE LOCK NUT M8		2				
094	DA00000960	DECK(DOLMAR ORANGE)		1				
095	671011142	HEIGHT ADJUST TENSION SPRING		2				
096	DA00001159	LINK ROD		1				
097	DA00000549	NYLON INSERT HEX.LOCK NUT M6		1				
098	DA00000549	NYLON INSERT HEX.LOCK NUT M6		1				
099	DA00000969	SIDE DISCHARGE OUTLET		1				
100	671514001	SIDE DISCHARGE FLAP COVER		1				
101	671111300	SIDE FLAP TORSION SPRING		1				
102	671001019	SIDE DISCHARGE FLAP HINGE ROD		1				
103	671001571	SIDE FLAP HINGE PLATE		1				
104	DA00000198	SPRING WASHER 5		2				
105	671201501	PAN HEAD SCREW M5X10		2				
106	671001322	WHEEL COVER 10 INCH		1				
107	DA00000537	HEX.FLANGE LOCK NUT M8		1				
108	DA00000538	BALL BEARING 6201ZZ		1				
109	671002021	WHEEL ASSY 11 INCH		1				
110	671200010	INTERNAL GEAR		1				
111	DA00000538	BALL BEARING 6201ZZ		1				
112	DA00000603	TAPPING SCREW ST4X16		6				
113	671251800	DUST-PROOF WHEEL COVER		1				
114	671002030	PAN. HEAD SCREW M6X14		2				
115	671001570	HEIGHT ADJUSTMENT LEVER ASSY		1				
116	DA00001058	HEIGHT ADJUSTMENT KNOB		1				
117	DA00000549	NYLON INSERT HEX.LOCK NUT M6		2				
118	DA00000612	STOP RING E-19		1				

Model No.PM5101S3R PETROL LAWN MOWER

Item	Parts No.	Description	I/C	Qty	New/Old	Opt. 1	Opt. 2	Note
119	671001574	REAR AXLE		1				
120	DA00000612	STOP RING E-19		1				
121	671251800	DUST-PROOF WHEEL COVER		1				
122	DA00000603	TAPPING SCREW ST4X16		6				
123	DA00000538	BALL BEARING 6201ZZ		1				
124	671200010	INTERNAL GEAR		1				
125	671002021	WHEEL ASSY 11 INCH		1				
126	DA00000538	BALL BEARING 6201ZZ		1				
127	DA00000537	HEX.FLANGE LOCK NUT M8		1				
128	671001322	WHEEL COVER 10 INCH		1				
129	DA00000536	WHEEL COVER 7 INCH		1				
130	DA00000537	HEX.FLANGE LOCK NUT M8		1				
131	DA00000538	BALL BEARING 6201ZZ		1				
132	671020160	WHEEL ASSY 8 INCH		1				
133	DA00000538	BALL BEARING 6201ZZ		1				
134	DA00000549	NYLON INSERT HEX.LOCK NUT M6		2				
135	671445001	FRONT AXLE RETAINER		1				
136	671001573	FRONT AXLE		1				
137	DA00000549	NYLON INSERT HEX.LOCK NUT M6		2				
138	671445001	FRONT AXLE RETAINER		1				
139	671418001	FRONT AXLE MOUNT		2				
140	671002028	PAN.HED SCREW M6X45		4				
141	DA00000538	BALL BEARING 6201ZZ		1				
142	671020160	WHEEL ASSY 8 INCH		1				
143	DA00000538	BALL BEARING 6201ZZ		1				
144	DA00000537	HEX.FLANGE LOCK NUT M8		1				
145	DA00000536	WHEEL COVER 7 INCH		1				
146	DA00000543	HEX.FLANGE LOCK NUT M6		1				
147	671002038	SHAFT SHEATH		1				
148	671011156	SPRING		1				
149	671005011	NYLON INSERT HEX.LOCK NUT M5		2				
150	671001717	GEAR BOX MOUNT FLAT		1				
151	671006123	HEX. BOLT M5X55 LH		1				
152	671080040	SPRING WASHER 5		1	*			
152-1	DA00000198	SPRING WASHER 5	O	1				
153	671009020	RETAINING RING S-19		1				
154	671001457	CUP WASHER		1				
155	671011122	VARIABLE SPEED PULLEY SPRING		1				
156	671010540	VARIABLE SPEED PULLEY UPPER		1				
157	671001082	VARIABLE SPEED PULLEY LOWER		1				

Please order the parts with part number.

Print Date 1/9/2020

Model No.PM5101S3R PETROL LAWN MOWER

Item	Parts No.	Description	I/C	Qty	New/Old	Opt. 1	Opt. 2	Note
158	DA00000562	HEX.FLANGE BOLT M8X16		1				
159	DA00000832	SPRING WASHER 8		1				
160	671007007	FLAT WASHER 8		1				
161	DA00000915	GEAR BOX MOUNT ANGLE		1				
162	DA00000576	SPRING WASHER 6		1				
163	671002019	TRUSS HEAD SCREW M6X12		1				
164	DA00000604	STOP RING E-12		1				
165	DA00001091	SPUR GEAR 14 RIGHT		1				
166	DA00001029	BALL BEARING R8ZZ		1				
167	671002024	DRIVE SHAFT BEARING CASE		1				
168	671090001	CYLINDRICAL PIN		1	*			
168-1	DA00000597	COLUMN PIN 5X21.5	O	1				
169	671501031	GEAR ASSY FOR SELF DRIVING		1				
170	DA00000597	COLUMN PIN 5X21.5		1				
171	671002024	DRIVE SHAFT BEARING CASE		1				
172	DA00001029	BALL BEARING R8ZZ		1				
173	DA00001090	SPUR GEAR 14 LEFT		1				
174	DA00000604	STOP RING E-12		1				
175	671002019	TRUSS HEAD SCREW M6X12		2				
176	DA00000542	AXLE RETAINER		1				
177	DA00000543	HEX.FLANGE LOCK NUT M6		4				
178	DA00000542	AXLE RETAINER		1				
179	671002019	TRUSS HEAD SCREW M6X12		2				
180	671003042	STEPPED BOLT M8		1				
181	671001455	SPEED CONTROL BELT TENSIONER		1				
182	671001056	BELT TENSIONER PULLEY		3				
183	671004015	BALL BEARING 6001ZZ		3				
184	671009021	RETAINING RING R-28		3				
185	DA00000563	HEXAGON NUT M8		2				
186	671001533	BELT TENSIONER BRACE PLATE		1				
187	DA00000537	HEX.FLANGE LOCK NUT M8		2				
188	671005008	NYLON INSERT HEX.LOCK NUT M8		1				
189	671011021	SPRING		1				
190	DA00000549	NYLON INSERT HEX.LOCK NUT M6		2				
191	DA00000971	BELT TENSIONER BASE		1				
192	DA00000537	HEX.FLANGE LOCK NUT M8		1				
193	671002019	TRUSS HEAD SCREW M6X12		2				
194	671007007	FLAT WASHER 8		3				
195	DA00000832	SPRING WASHER 8		3				
196	DA00001157	CABLE HOOK		1				

Model No.PM5101S3R PETROL LAWN MOWER

Item	Parts No.	Description	I/C	Qty	New/Old	Opt. 1	Opt. 2	Note
197	DA00000586	HEX. BOLT M8X35		1				
198	DA00000617	SPECIAL HEX.BOLT M8X35/M8X17		1				
199	DA00000543	HEX.FLANGE LOCK NUT M6		1				
200	DA00000537	HEX.FLANGE LOCK NUT M8		1				
201	671004015	BALL BEARING 6001ZZ		1				
202	DA00000974	IDLER BRACKET		1				
203	671011136	TORSION SPRING		1				
204	671522001	BELT PROTECTING COVER		1				
205	671005008	NYLON INSERT HEX.LOCK NUT M8		2				
206	DA00000873	TAPPING SCREW ST4.2X15		2				
207	671006066	HEX. BOLT M6X25		1				
208	DA00000968	V BELT 10MMX6MM L=885MM		1				
209	671004013	V PULLEY		1				
210	DA00000598	H.S.SET SCREW(FLAT POINT)M6X8		1				
211	DA00000535	HIGHT ADJUST SUPPORT SPRING		1				
212	671015252	INNER FRANGE		1				
213	DA00000973	BLADE 51		1				
214	DA00000529	DISH SPRING WASHER 10		1				
215	671006065	BLADE TIGHTEN BOLT 3/8-24 UNF		1				
216	671513001	FRONT AXLE COVER		1				
217	DA00000911	TAPPING SCREW ST4.2X10		8				

Please order the parts with part number.

Print Date 1/9/2020