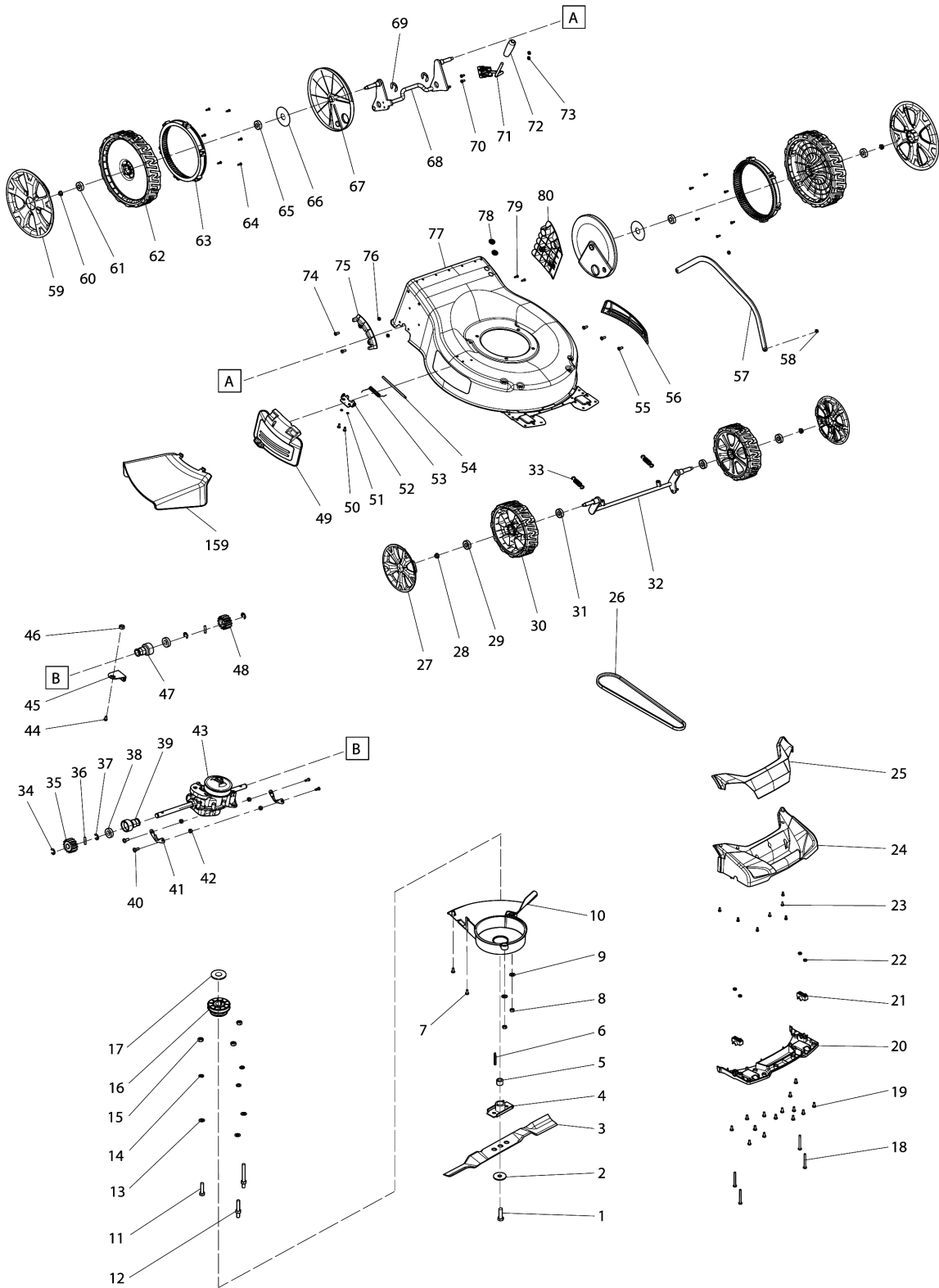
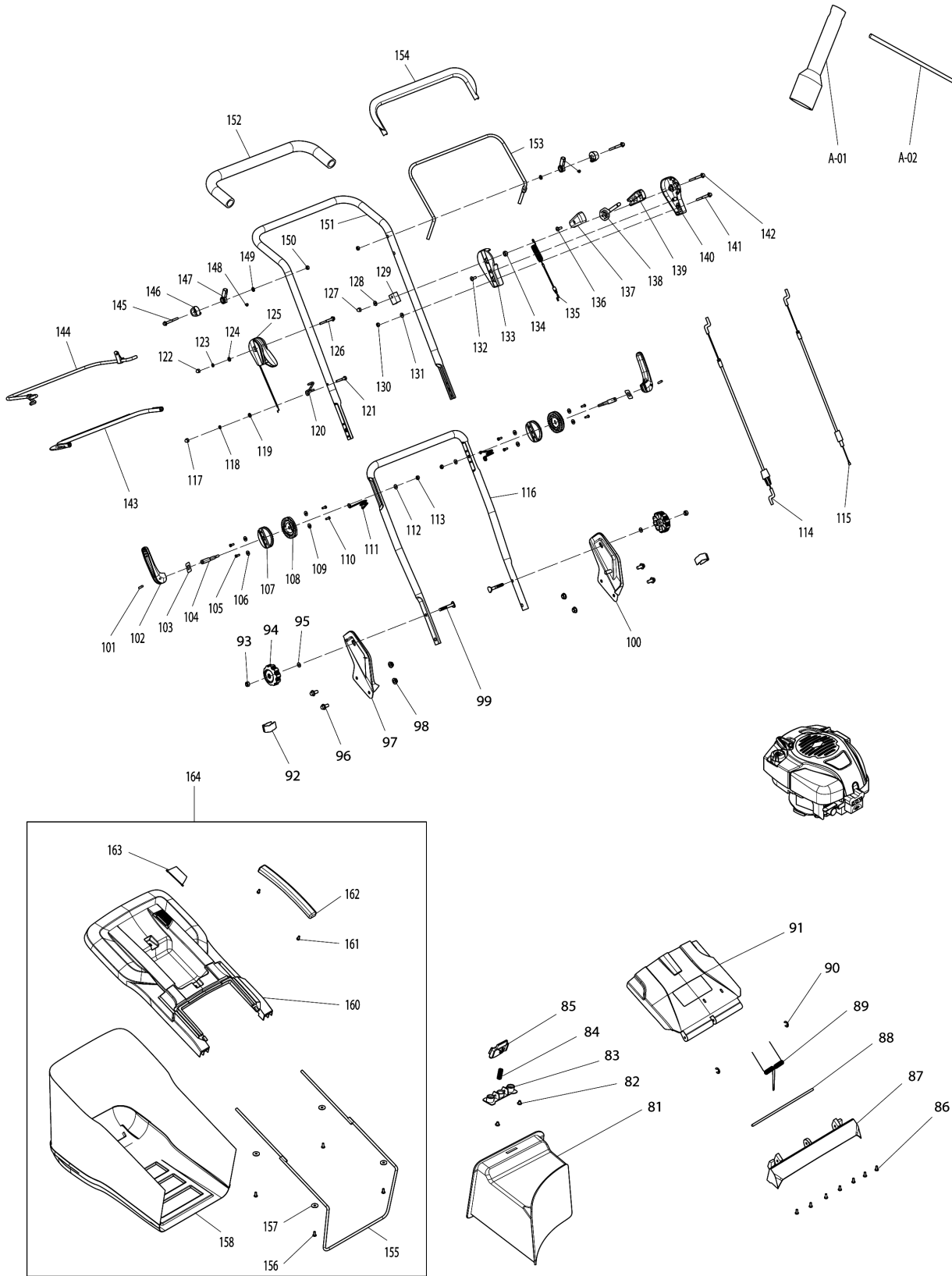


Model No.PLM5130N PETROL LAWN MOWER



Model No.PLM5130N PETROL LAWN MOWER



Model No.PLM5130N PETROL LAWN MOWER

| Item | Parts No. | Description | I/C | Qty | New/Old | Opt. 1 | Opt. 2 | Note |
|-------|------------|-------------------------------|-----|-----|---------|--------|--------|------|
| 001 | DA00000528 | BLADE TIGHTEN BOLT 3/8-24 UNF | | 1 | | | | |
| 002 | 671010730 | DISH SPRING WASHER | | 1 | | | | |
| 003 | 671002552 | BLADE 20 | | 1 | * | | | |
| 003-1 | DA00001276 | BLADE 20 | < | 1 | | | | |
| 004 | DA00000857 | INNER FRANGE | | 1 | | | | |
| 005 | 671002093 | BLADE SPASER SLEEVE | | 1 | | | | |
| 006 | DA00000535 | HIGHT ADJUST SUPPORT SPRING | | 1 | | | | |
| 007 | 671001037 | TRUSS HEAD TAPPING SCREW 5X16 | | 2 | | | | |
| 008 | 671005008 | NYLON INSERT HEX.LOCK NUT M8 | | 2 | | | | |
| 009 | 671007007 | FLAT WASHER 8 | | 2 | | | | |
| 010 | 671030010 | BELT PROTECTING COVER | | 1 | | | | |
| 011 | DA00000586 | HEX. BOLT M8X35 | | 1 | | | | |
| 012 | DA00000617 | SPECIAL HEX.BOLT M8X35/M8X17 | | 2 | | | | |
| 013 | 671007007 | FLAT WASHER 8 | | 3 | | | | |
| 014 | DA00000832 | SPRING WASHER 8 | | 3 | | | | |
| 015 | DA00000537 | HEX.FLANGE LOCK NUT M8 | | 3 | | | | |
| 016 | 671004019 | V PULLEY ASSY | | 1 | | | | |
| 017 | 671002351 | FLAT WASHER | | 1 | | | | |
| 018 | 671006119 | HEX. FRANGE BOLT M6X60 | | 4 | | | | |
| 019 | DA00000826 | SELF-TAPPING SCREW ST4X12 | | 14 | | | | |
| 020 | 671552001 | FRONT COVER BOTTOM SUPPORT | | 1 | | | | |
| 021 | 671445001 | FRONT AXLE RETAINER | | 2 | | | | |
| 022 | DA00000549 | NYLON INSERT HEX.LOCK NUT M6 | | 4 | | | | |
| 023 | DA00000826 | SELF-TAPPING SCREW ST4X12 | | 7 | | | | |
| 024 | 671030420 | FRONT COVER | | 1 | | | | |
| 025 | 671999001 | FRONT COVER BOARD | | 1 | | | | |
| 026 | 671002056 | TRIANGLE BELT | | 1 | | | | |
| 027 | 671030150 | WHEEL COVER 7 INCH | | 2 | | | | |
| 028 | DA00000537 | HEX.FLANGE LOCK NUT M8 | | 2 | | | | |
| 029 | DA00000538 | BALL BEARING 6201ZZ | | 2 | | | | |
| 030 | 671020160 | WHEEL ASSY 8 INCH | | 2 | | | | |
| 031 | DA00000538 | BALL BEARING 6201ZZ | | 2 | | | | |
| 032 | 671002429 | FRONT WHEEL AXLE ASS'Y | | 1 | | | | |
| 033 | 671011230 | HEIGHT ADJUST TENSION SPRING | | 2 | | | | |
| 034 | DA00000604 | STOP RING E-12 | | 2 | | | | |
| 035 | DA00000607 | SPUR GEAR 14 RIGHT | | 1 | | | | |
| 036 | DA00000597 | COLUMN PIN 5X21.5 | | 2 | | | | |
| 037 | DA00000604 | STOP RING E-12 | | 2 | | | | |

Please order the parts with part number.

Print Date 15/8/2019

Model No.PLM5130N PETROL LAWN MOWER

| Item | Parts No. | Description | I/C | Qty | New/Old | Opt. 1 | Opt. 2 | Note |
|-------|------------|-----------------------------------|-----|-----|---------|--------|--------|------|
| 038 | DA00000609 | BEARING | | 2 | | | | |
| 039 | 671002085 | DRIVE SHAFT BEARING CASE R | | 1 | | | | |
| 040 | 671002019 | TRUSS HEAD SCREW M6X12 | | 4 | | | | |
| 041 | DA00000542 | AXLE RETAINER | | 2 | | | | |
| 042 | DA00000543 | HEX.FLANGE LOCK NUT M6 | | 4 | | | | |
| 043 | 671502039 | GEAR ASSY FOR SELF DRIVING | | 1 | | | | |
| 044 | 671006181 | HEX. FLANGE BOLT M6X17 | | 1 | | | | |
| 045 | 671002297 | GEAR BOX MOUNT ANGLE | | 1 | | | | |
| 046 | DA00000549 | NYLON INSERT HEX.LOCK NUT M6 | | 1 | | | | |
| 047 | DA00000610 | DRIVE SHAFT BEARING CASE | | 1 | | | | |
| 048 | DA00000605 | SPUR GEAR 14 LEFT | | 1 | | | | |
| 049 | 671281001 | SIDE DISCHARGE COVER BOARD | | 1 | | | | |
| 050 | 671002010 | PAN.HED SCREW M5X12 | | 2 | | | | |
| 051 | 671080040 | SPRING WASHER 5 | | 2 | | | | |
| 052 | 671001571 | SIDE FLAP HINGE PLATE | | 1 | | | | |
| 053 | 671011205 | SIDE FLAP TORSION SPRING | | 1 | | | | |
| 054 | 671001019 | SIDE DISCHARGE FLAP HINGE ROD | | 1 | | | | |
| 055 | 671010310 | TAPPING SCREW ST4.2X8 | | 3 | | | | |
| 056 | 671427001 | PROTECTING BOARD | | 1 | | | | |
| 057 | 671002430 | LINK ROD | | 1 | | | | |
| 058 | DA00000549 | NYLON INSERT HEX.LOCK NUT M6 | | 2 | | | | |
| 059 | 671003017 | 11WHEEL COVER | | 2 | | | | |
| 060 | DA00000537 | HEX.FLANGE LOCK NUT M8 | | 2 | | | | |
| 061 | DA00000538 | BALL BEARING 6201ZZ | | 2 | | | | |
| 062 | 671002021 | WHEEL ASSY 11 INCH | | 2 | | | | |
| 063 | 671200010 | INTERNAL GEAR | | 2 | | | | |
| 064 | DA00000603 | TAPPING SCREW ST4X16 | | 12 | | | | |
| 065 | DA00000538 | BALL BEARING 6201ZZ | | 2 | | | | |
| 066 | 671007065 | WASHER | | 2 | | | | |
| 067 | 671251800 | DUST-PROOF WHEEL COVER | | 2 | | | | |
| 068 | 671002347 | REAR WHEEL AXLE ASS'Y | | 1 | | | | |
| 069 | DA00000612 | STOP RING E-19 | | 2 | | | | |
| 070 | 671002041 | TRUSS HEAD STEPPED SCREW M6X17 | | 2 | | | | |
| 071 | DA00000874 | HANDLE ASS'Y | | 1 | | | | |
| 072 | 671201701 | HANDLE SHEATH | | 1 | * | | | |
| 072-1 | DA00001058 | HEIGHT ADJUSTMENT KNOB | O | 1 | | | | |
| 073 | DA00000549 | NYLON INSERT HEX.LOCK NUT M6 | | 2 | | | | |
| 074 | DA00000552 | TRUSS HEAD SCREW M6X16 | | 2 | | | | |
| 075 | DA00000790 | HEIGHT ADJUSTMENT BOARD | | 1 | | | | |

Please order the parts with part number.

Print Date 15/8/2019

Model No.PLM5130N PETROL LAWN MOWER

| Item | Parts No. | Description | I/C | Qty | New/Old | Opt. 1 | Opt. 2 | Note |
|-------|------------|------------------------------|-----|-----|---------|--------|--------|------|
| 076 | DA00000549 | NYLON INSERT HEX.LOCK NUT M6 | | 2 | | | | |
| 077 | 671001824 | DECK(MAKITA BLUE) | | 1 | | | | |
| 078 | 671800104 | GROMMET | | 2 | | | | |
| 079 | DA00000553 | HEX. FLANGE BOLT M6X12 | | 2 | | | | |
| 080 | 671085001 | GRASS OUTLET SLOPE BOARD | | 1 | | | | |
| 081 | DA00000844 | MULCHING PLUG BOX | | 1 | | | | |
| 082 | DA00000603 | TAPPING SCREW ST4X16 | | 2 | | | | |
| 083 | 671317001 | PRESSING BOARD OF LOCKING | | 1 | | | | |
| 084 | 671011005 | COMPRESSION SPRING | | 1 | | | | |
| 085 | 671316004 | LOCKING BUTTON | | 1 | | | | |
| 086 | DA00000826 | SELF-TAPPING SCREW ST4X12 | | 7 | | | | |
| 087 | 671932001 | REAR FLAP BRACKET BLUE | | 1 | | | | |
| 088 | 671002365 | REAR FLAP HINGE ROD | | 1 | | | | |
| 089 | 671011203 | REAR FLAP TORSION SPRING | | 1 | | | | |
| 090 | 671009017 | STOP RING E-6 | | 2 | | | | |
| 091 | 671933001 | REAR FLAP BLUE | | 1 | | | | |
| 092 | 671611001 | CABLE CLIP | | 2 | | | | |
| 093 | DA00000563 | HEXAGON NUT M8 | | 2 | | | | |
| 094 | DA00000564 | KNOB | | 2 | | | | |
| 095 | 671007007 | FLAT WASHER 8 | | 2 | | | | |
| 096 | DA00000562 | HEX.FLANGE BOLT M8X16 | | 4 | | | | |
| 097 | DA00000858 | RIGHT HANDLE BRACKET BLUE | | 1 | | | | |
| 098 | DA00000537 | HEX.FLANGE LOCK NUT M8 | | 4 | | | | |
| 099 | DA00000839 | SADDLE HEAD BOLT M8X35 | | 2 | | | | |
| 100 | DA00000859 | LEFT HANDLE BRACKET BLUE | | 1 | | | | |
| 101 | 671090040 | PIN 5.3X20 | | 2 | | | | |
| 102 | 671431001 | TENSION LEVER | | 2 | | | | |
| 103 | 671001119 | RETAINER PLATE | | 2 | | | | |
| 104 | 671006167 | TENSION BOLT M8 | | 2 | | | | |
| 105 | 671002010 | PAN.HED SCREW M5X12 | | 4 | * | | | |
| 105-1 | DA00000840 | TAPPING SCREW ST3X10 | < | 4 | | | | |
| 106 | 671080040 | SPRING WASHER 5 | | 4 | | | | |
| 107 | DA00000861 | ANGLE ADJUSTMENT JOINT UPPER | | 2 | | | | |
| 108 | DA00000862 | ANGLE ADJUSTMENT JOINT LOWER | | 2 | | | | |
| 109 | 671080040 | SPRING WASHER 5 | | 4 | | | | |
| 110 | 671002010 | PAN.HED SCREW M5X12 | | 4 | * | | | |
| 110-1 | DA00000840 | TAPPING SCREW ST3X10 | < | 4 | | | | |
| 111 | 671002361 | CABLE FIXING RING | | 2 | | | | |
| 112 | 671007007 | FLAT WASHER 8 | | 2 | | | | |

Please order the parts with part number.

Print Date 15/8/2019

Model No.PLM5130N PETROL LAWN MOWER

| Item | Parts No. | Description | I/C | Qty | New/Old | Opt. 1 | Opt. 2 | Note |
|-------|------------|-------------------------------|-----|-----|---------|--------|--------|------|
| 113 | 671005008 | NYLON INSERT HEX.LOCK NUT M8 | | 2 | | | | |
| 114 | 671001288 | SELF DRIVE CONTROL WIRE ASSY | | 1 | | | | |
| 115 | 671001286 | FRAMEOUT CORD ASS'Y | | 1 | | | | |
| 116 | 671017070 | LOWER HANDLE BAR | | 1 | | | | |
| 117 | DA00000575 | HEX.CAP NUT M6 | | 1 | | | | |
| 118 | DA00000864 | SPRING WASHER 6 | | 1 | * | | | |
| 118-1 | DA00000576 | SPRING WASHER 6 | O | 1 | | | | |
| 119 | DA00000574 | FLAT WASHER 6 | | 1 | | | | |
| 120 | DA00000579 | STARTER GRIP HOOK | | 1 | | | | |
| 121 | DA00000577 | HEX.FLANGE BOLT M6X35 | | 1 | | | | |
| 122 | DA00000575 | HEX.CAP NUT M6 | | 1 | | | | |
| 123 | DA00000864 | SPRING WASHER 6 | | 1 | * | | | |
| 123-1 | DA00000576 | SPRING WASHER 6 | O | 1 | | | | |
| 124 | DA00000574 | FLAT WASHER 6 | | 1 | | | | |
| 125 | 671010580 | THROTTLE CONTROL BOX ASSY | | 1 | | | | |
| 126 | 671006082 | HEX. FLANGE BOLT M6X50 | | 1 | | | | |
| 127 | DA00000575 | HEX.CAP NUT M6 | | 1 | | | | |
| 128 | DA00000574 | FLAT WASHER 6 | | 1 | | | | |
| 129 | DA00000573 | OUTER WIRE STOPPER | | 1 | | | | |
| 130 | DA00000575 | HEX.CAP NUT M6 | | 1 | | | | |
| 131 | DA00000574 | FLAT WASHER 6 | | 1 | | | | |
| 132 | DA00000826 | SELF-TAPPING SCREW ST4X12 | | 1 | | | | |
| 133 | 671827001 | SPEED CONTROL BOX UPPER COVER | | 1 | | | | |
| 134 | DA00000549 | NYLON INSERT HEX.LOCK NUT M6 | | 1 | | | | |
| 135 | 671001287 | VARIABLESPEED CONTROLCORD ASS | | 1 | | | | |
| 136 | DA00000873 | TAPPING SCREW ST4.2X15 | | 1 | | | | |
| 137 | DA00000870 | DRIVE SPEED ADJUST GRIP LOWER | | 1 | | | | |
| 138 | 671002279 | DRIVE SPEED ADJUST LEVER | | 1 | | | | |
| 139 | DA00000869 | DRIVE SPEED ADJUST GRIP UPPER | | 1 | | | | |
| 140 | 671828001 | SPEED CONTROL BOX LOWER COVER | | 1 | | | | |
| 141 | 671006082 | HEX. FLANGE BOLT M6X50 | | 1 | | | | |
| 142 | DA00000572 | HEX.FLANGE BOLT M6X55 | | 1 | | | | |
| 143 | 671201401 | LEVER SHEATH BLACK | | 1 | | | | |
| 144 | 671001874 | SELF DRIVE CONTROL LEVER | | 1 | | | | |
| 145 | 671006029 | HEX. FLANGE BOLT M6X45 | | 2 | | | | |
| 146 | 671990001 | ENGINE CLUTCH LEVER BRACKET | | 2 | | | | |
| 147 | 671989001 | ENGINE CLUTCH LEVER END CAP | | 2 | | | | |

Please order the parts with part number.

Print Date 15/8/2019

Model No.PLM5130N PETROL LAWN MOWER

| Item | Parts No. | Description | I/C | Qty | New/Old | Opt. 1 | Opt. 2 | Note |
|------|------------|--------------------------------|-----|-----|---------|--------|--------|------|
| 148 | 671002025 | PAN. HEAD SCREW M4X8 | | 2 | | | | |
| 149 | 671007070 | FLAT WASHER 6 | | 2 | | | | |
| 150 | DA00000575 | HEX.CAP NUT M6 | | 2 | | | | |
| 151 | 671001756 | UPPER HANDLE BAR ASSY | | 1 | | | | |
| 152 | 671103001 | HANDLE SHEATH | | 1 | | | | |
| 153 | 671018730 | ENGINE CLUTCH LEVER | | 1 | | | | |
| 154 | 671020130 | LEVER SHEATH RED | | 1 | | | | |
| 155 | DA00000875 | GRASS CATCHER BRACKET | | 1 | | | | |
| 156 | DA00000603 | TAPPING SCREW ST4X16 | | 4 | | | | |
| 157 | 671001436 | WASHER 4 | | 4 | | | | |
| 158 | 671153501 | GRASS CATCHER(MAKITA LOGO) | | 1 | | | | |
| 159 | 671001001 | SIDEDISCHARGE PROTECTING COVER | | 1 | | | | |
| 160 | 671992001 | GRASS CATCHER UPPER BORAD | | 1 | | | | |
| 161 | DA00000603 | TAPPING SCREW ST4X16 | | 2 | | | | |
| 162 | 671937001 | GRASS CATCHER HANDLE | | 1 | | | | |
| 163 | 671001075 | GRASS CATCHER INDICATOR BLUE | | 1 | | | | |
| 164 | DA00000876 | GRASS CATCHER ASSEMBLY(MAKITA) | | 1 | | | | |
| A01 | DA00000583 | BOX WRENCH 16MM | | 1 | | | | |
| A02 | DA00000584 | WRENCH HANDLE | | 1 | | | | |

Please order the parts with part number.

Print Date 15/8/2019