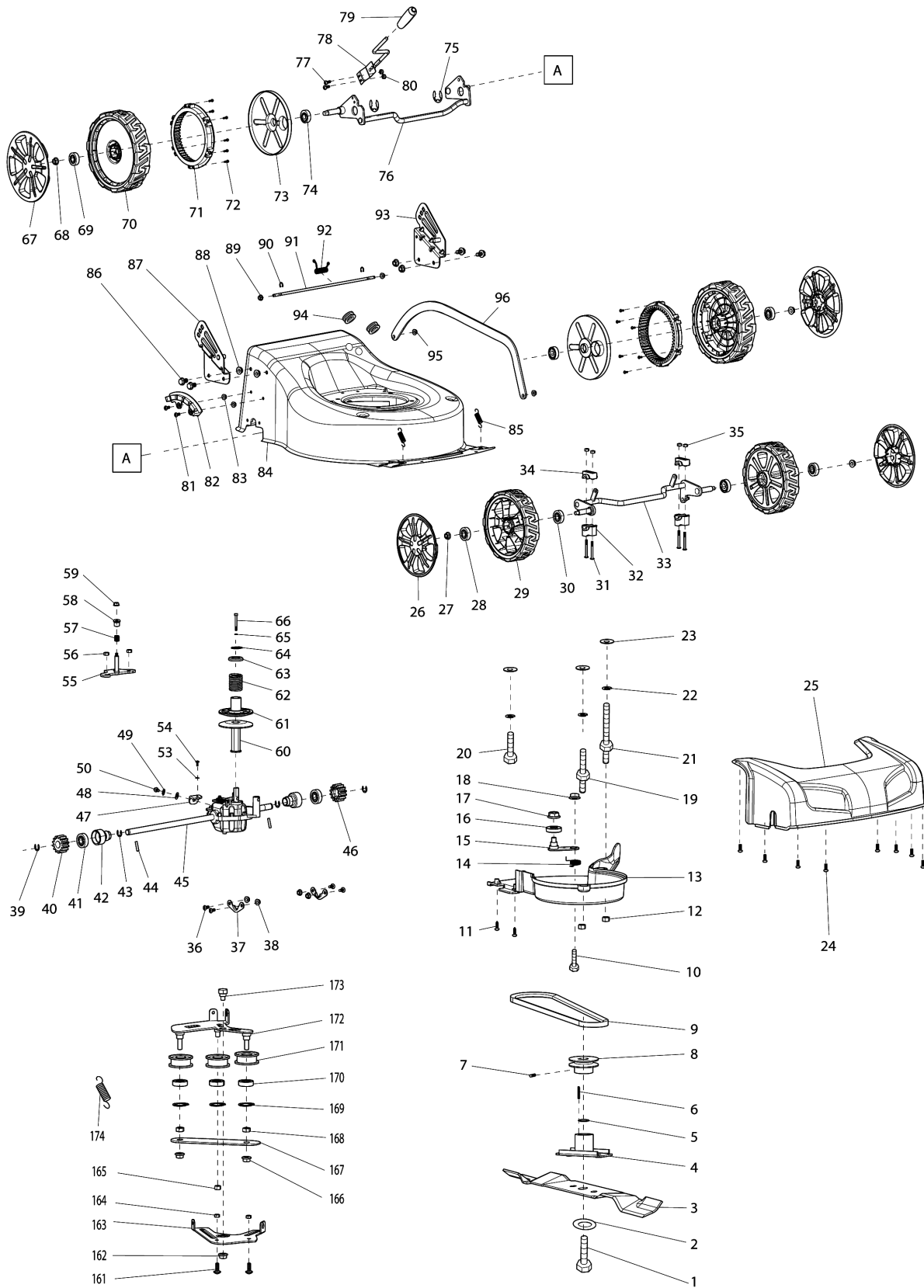
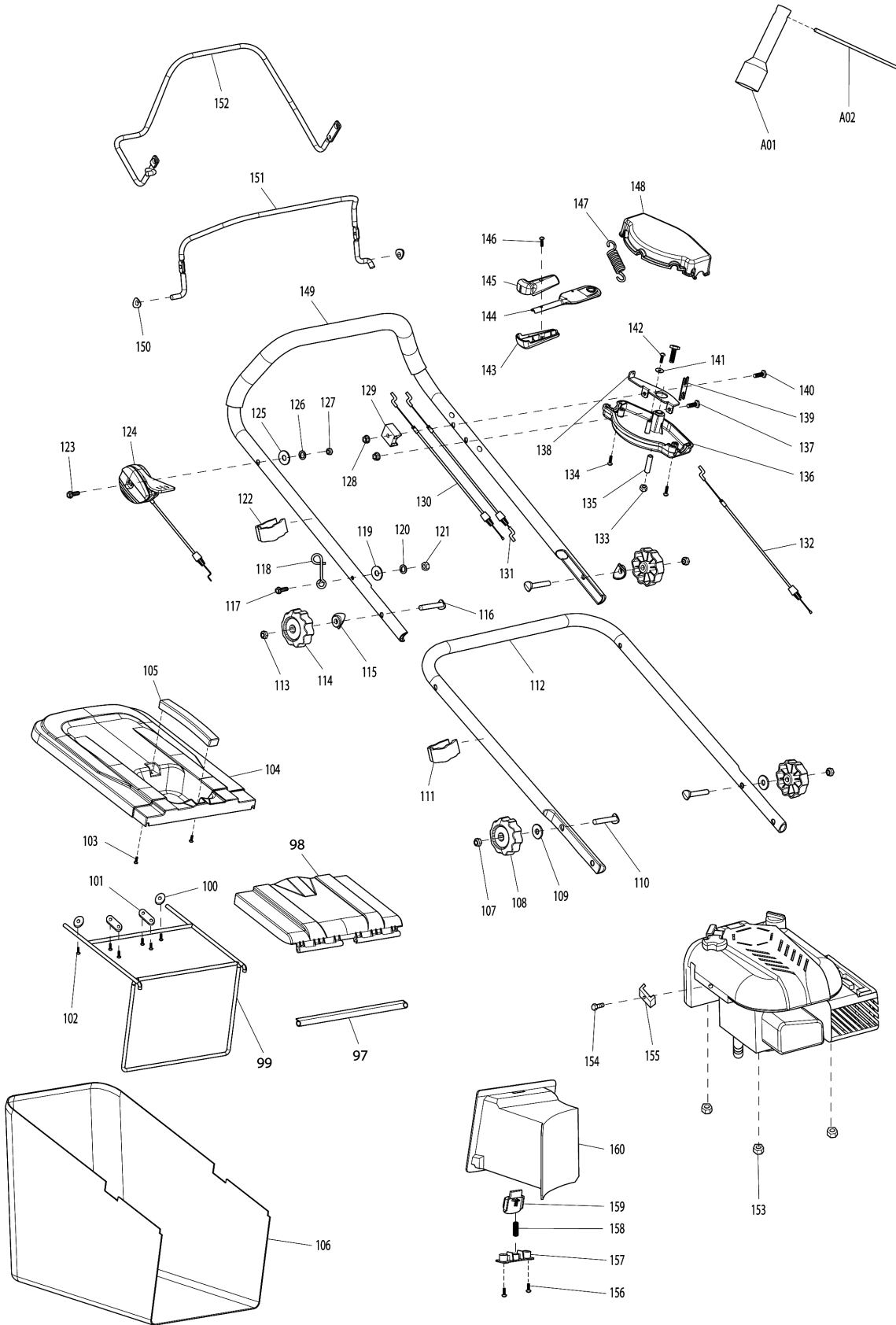


Model No. PLM4622N PETROL LAWN MOWER



Model No.PLM4622N PETROL LAWN MOWER



Model No.PLM4622N PETROL LAWN MOWER

Item	Parts No.	Description	I/C	Qty	New/Old	Opt. 1	Opt. 2	Note
001	671006065	BLADE TIGHTEN BOLT 3/8-24 UNF		1				
002	671010730	DISH SPRING WASHER		1				
003	671001451	BLADE 46		1	*			
003-1	DA00001274	BLADE 46	<	1				
004	671015252	INNER FRANGE		1				
005	DA00000979	BLADE SUPPORT LINING		1				
006	DA00000535	HIGHT ADJUST SUPPORT SPRING		1				
007	DA00000598	H.S.SET SCREW(FLAT POINT)M6X8		1				
008	671401201	V PULLEY		1				
009	671020282	V BELT 10MMX6MM L=785MM		1				
010	671006066	HEX. BOLT M6X25		1				
011	671001037	TRUSS HEAD TAPPING SCREW 5X16		2				
012	671005008	NYLON INSERT HEX.LOCK NUT M8		2				
013	671658001	BELT PROTECTING COVER		1				
014	671011136	TORSION SPRING		1				
015	DA00000974	IDLER BRACKET		1				
016	671004015	BALL BEARING 6001ZZ		1				
017	DA00000537	HEX.FLANGE LOCK NUT M8		1				
018	DA00000543	HEX.FLANGE LOCK NUT M6		1				
019	DA00000617	SPECIAL HEX.BOLT M8X35/M8X17		1				
020	DA00000586	HEX. BOLT M8X35		1				
021	671003024	SPECIAL HEX. BOLT M8X60/M8X17		1				
022	DA00000832	SPRING WASHER 8		3				
023	671007007	FLAT WASHER 8		3				
024	DA00000911	TAPPING SCREW ST4.2X10		8				
025	671659001	FRONT AXLE COVER		1				
026	671001176	WHEEL COVER 6.5 INCH		2				
027	DA00000537	HEX.FLANGE LOCK NUT M8		2				
028	DA00000538	BALL BEARING 6201ZZ		2				
029	671020150	WHEEL ASSY 7 INCH		2				
030	DA00000538	BALL BEARING 6201ZZ		2				
031	671002028	PAN.HED SCREW M6X45		4				
032	671418001	FRONT AXLE MOUNT		2				
033	671001786	FRONT AXLE		1				
034	671445001	FRONT AXLE RETAINER		2				
035	DA00000549	NYLON INSERT HEX.LOCK NUT M6		4				
036	671002019	TRUSS HEAD SCREW M6X12		4				
037	DA00000542	AXLE RETAINER		2				
038	DA00000543	HEX.FLANGE LOCK NUT M6		4				

Please order the parts with part number.

Print Date 31/3/2020

Model No.PLM4622N PETROL LAWN MOWER

Item	Parts No.	Description	I/C	Qty	New/Old	Opt. 1	Opt. 2	Note
039	DA00000604	STOP RING E-12		2				
040	DA00000607	SPUR GEAR 14 RIGHT		1				
041	DA00000609	BEARING		2				
042	DA00000610	DRIVE SHAFT BEARING CASE		2				
043	DA00000604	STOP RING E-12		2				
044	DA00000597	COLUMN PIN 5X21.5		2				
045	671502017	GEAR ASSY FOR SELF DRIVING		1				
046	DA00000605	SPUR GEAR 14 LEFT		1				
047	DA00000915	GEAR BOX MOUNT ANGLE		1				
048	671007007	FLAT WASHER 8		1				
049	DA00000832	SPRING WASHER 8		1				
050	DA00000562	HEX.FLANGE BOLT M8X16		1				
053	DA00000864	SPRING WASHER 6		1				
054	671002019	TRUSS HEAD SCREW M6X12		1				
055	671001717	GEAR BOX MOUNT FLAT		1				
056	671005011	NYLON INSERT HEX.LOCK NUT M5		2				
057	671011156	SPRING		1				
058	671002038	SHAFT SHEATH		1				
059	DA00000543	HEX.FLANGE LOCK NUT M6		1				
060	671001082	VARIABLE SPEED PULLEY LOWER		1				
061	671010540	VARIABLE SPEED PULLEY UPPER		1				
062	671011122	VARIABLE SPEED PULLEY SPRING		1				
063	671001457	CUP WASHER		1				
064	671009020	RETAINING RING S-19		1				
065	671080040	SPRING WASHER 5		1	*			
065-1	DA00000198	SPRING WASHER 5	O	1				
066	671006123	HEX. BOLT M5X55 LH		1				
067	DA00000536	WHEEL COVER 7 INCH		2				
068	DA00000537	HEX.FLANGE LOCK NUT M8		2				
069	DA00000538	BALL BEARING 6201ZZ		2				
070	671020300	WHEEL ASSY 8 INCH		2				
071	DA00000849	INTERNAL GEAR		2				
072	DA00000603	TAPPING SCREW ST4X16		12				
073	DA00000606	REAR WHEEL DUST-PROOF COVER		2				
074	DA00000538	BALL BEARING 6201ZZ		2				
075	DA00000612	STOP RING E-19		2				
076	671144602	REAR AXLE		1				
077	DA00000912	PAN.HED SCREW M5X14		2				
078	671001430	HEIGHT ADJUSTMENT LEVER ASSY		1				

Model No.PLM4622N PETROL LAWN MOWER

Item	Parts No.	Description	I/C	Qty	New/Old	Opt. 1	Opt. 2	Note
079	671102602	HEIGHT ADJUSTMENT LEVER ASSY		1	*			
079-1	DA00001073	HANDLE SET	O	1				
080	671005011	NYLON INSERT HEX.LOCK NUT M5		2				
081	671002019	TRUSS HEAD SCREW M6X12		2				
082	DA00000787	HEIGHT ADJUSTER STOP PLATE		1				
083	DA00000543	HEX.FLANGE LOCK NUT M6		2				
084	671001529	DECK BLUE		1				
085	671011125	HEIGHT ADJUST TENSION SPRING		2				
086	DA00000562	HEX.FLANGE BOLT M8X16		4				
087	671001180	RIGHT HANDLE BRACKET BLUE		1				
088	DA00000537	HEX.FLANGE LOCK NUT M8		4				
089	DA00000543	HEX.FLANGE LOCK NUT M6		2				
090	671009017	STOP RING E-6		2				
091	671001518	REAR FLAP HINGE ROD		1				
092	671011101	REAR FLAP TORSION SPRING		1				
093	671001179	LEFT HANDLE BRACKET BLUE		1				
094	671800104	GROMMET		2				
095	DA00000549	NYLON INSERT HEX.LOCK NUT M6		2				
096	671002671	LINK ROD		1				
097	671001353	GRASS CATCHER FRAME SHEATH		1				
098	671468001	REAR FLAP		1				
099	671001443	GRASS CATCHER FRAME		1				
100	671001436	WASHER 4		2	*			
100-1	DA00000025	WASHER 5	O	2				
101	671001203	RETAINER PLATE		2	*			
101-1	DA00000335	RETAINER PLATE	O	2				
102	DA00000888	TAPPING SCREW ST5X12		6				
103	671105502	TAPPING SCREW ST5X16		2	*			
103-1	DA00000326	TAPPING SCREW ST5X16	O	2				
104	671467001	GRASS CATCHER UPPER BORAD		1				
105	671454001	GRASS CATCHER HANDLE		1				
106	671001418	GRASS CATCHER CLOTH SET MAKITA		1				
107	DA00000563	HEXAGON NUT M8		2				
108	DA00000564	KNOB		2				
109	671007007	FLAT WASHER 8		2				
110	DA00000880	SADDLE HEAD BOLT M8X35		2				
111	671611001	CABLE CLIP		1				
112	671001606	LOWER HANDLE BAR		1				

Model No.PLM4622N PETROL LAWN MOWER

Item	Parts No.	Description	I/C	Qty	New/Old	Opt. 1	Opt. 2	Note
113	DA00000563	HEXAGON NUT M8		2				
114	DA00000564	KNOB		2				
115	DA00000565	PLASTIC SADDLE WASHER 8		2				
116	DA00000569	SADDLE HEAD BOLT M8X58		2				
117	DA00000577	HEX.FLANGE BOLT M6X35		1				
118	DA00000579	STARTER GRIP HOOK		1				
119	DA00000574	FLAT WASHER 6		1				
120	DA00000864	SPRING WASHER 6		1				
121	DA00000575	HEX.CAP NUT M6		1				
122	671611001	CABLE CLIP		1				
123	671006082	HEX. FLANGE BOLT M6X50		1				
124	671001137	THROTTLE CONTROL BOX ASSY		1				
125	DA00000574	FLAT WASHER 6		1				
126	DA00000864	SPRING WASHER 6		1				
127	DA00000575	HEX.CAP NUT M6		1				
128	DA00000543	HEX.FLANGE LOCK NUT M6		2				
129	DA00000573	OUTER WIRE STOPPER		1				
130	DA00000977	SELF DRIVE CONTROL WIRE ASSY		1				
131	671001113	ENGINE CLUTCH WIRE		1				
132	671011162	DRIVE SPEED ADJUST WIRE ASSY		1				
133	DA00000543	HEX.FLANGE LOCK NUT M6		1				
134	671010630	TAPPING SCREW ST4.2X25		2				
135	671001513	SHEATH		1				
136	671470001	SPEED ADJUSTMENT BOX(LOWER)		1				
137	DA00000577	HEX.FLANGE BOLT M6X35		1				
138	671001514	DRIVE SPEED ADJUST LEVER MOUNT		1				
139	671001511	OUTER WIRE STOPPER PLATE		1				
140	671006063	HEX.BOLT M6X40		2				
141	671002075	FLAT WASHER 4		1				
142	DA00000603	TAPPING SCREW ST4X16		1				
143	DA00000870	DRIVE SPEED ADJUST GRIP LOWER		1				
144	DA00000972	DRIVE SPEED ADJUST LEVER		1				
145	DA00000869	DRIVE SPEED ADJUST GRIP UPPER		1				
146	DA00000873	TAPPING SCREW ST4.2X15		1				
147	671011123	EXTENTION SPRING		1				
148	671470002	SPEED ADJUSTMENT BOX(UPPER)		1				
149	671002002	UPPER HANDLE ASSY		1				
150	671001524	SADDLE WASHER 8		2				
151	DA00000961	ENGINE CLUTCH LEVER		1				

Model No.PLM4622N PETROL LAWN MOWER

Item	Parts No.	Description	I/C	Qty	New/Old	Opt. 1	Opt. 2	Note
152	DA00000964	SELF DRIVE CONTROL LEVER		1				
153	DA00000537	HEX.FLANGE LOCK NUT M8		3				
154	671003012	HEX. BOLT M5X14		1				
155	671010830	OUTER WIRE STOPPER		1				
156	DA00000603	TAPPING SCREW ST4X16		2				
157	671317001	PRESSING BOARD OF LOCKING		1				
158	671011005	COMPRESSION SPRING		1				
159	671316004	LOCKING BUTTON		1				
160	671660001	MULCHING PLUG BOX		1				
161	671002019	TRUSS HEAD SCREW M6X12		2				
162	DA00000537	HEX.FLANGE LOCK NUT M8		1				
163	DA00000971	BELT TENSIONER BASE		1				
164	DA00000549	NYLON INSERT HEX.LOCK NUT M6		2				
165	671005008	NYLON INSERT HEX.LOCK NUT M8		1				
166	DA00000537	HEX.FLANGE LOCK NUT M8		2				
167	671001533	BELT TENSIONER BRACE PLATE		1				
168	DA00000563	HEXAGON NUT M8		2				
169	671009021	RETAINING RING R-28		3				
170	671004015	BALL BEARING 6001ZZ		3				
171	671001056	BELT TENSIONER PULLEY		3				
172	671001455	SPEED CONTROL BELT TENSIONER		1				
173	671003042	STEPPED BOLT M8		1				
174	671011021	SPRING		1				
A01	671001078	BOX WRENCH 21MM		1				
A02	DA00000584	WRENCH HANDLE		1				

Please order the parts with part number.

Print Date 31/3/2020