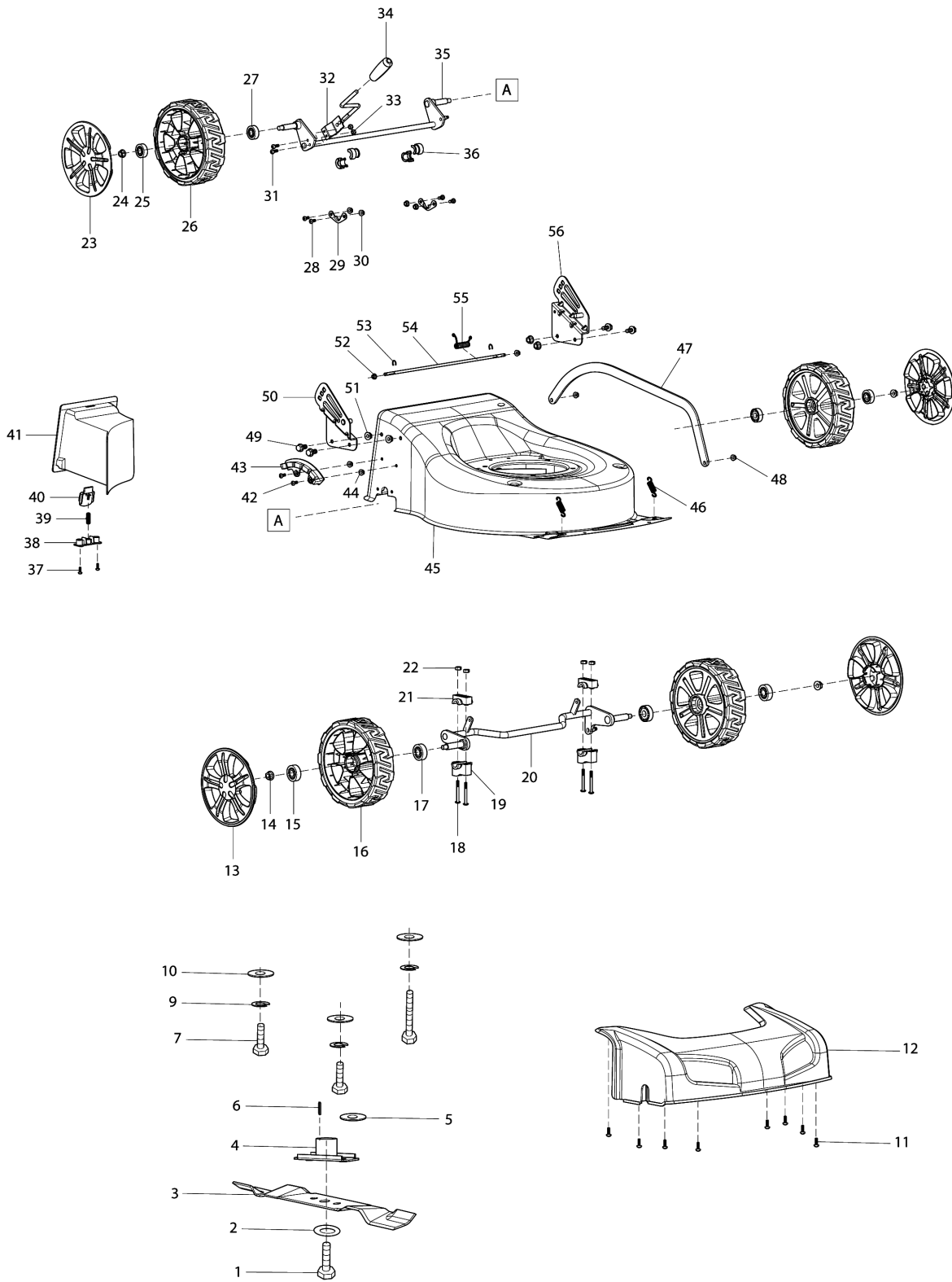
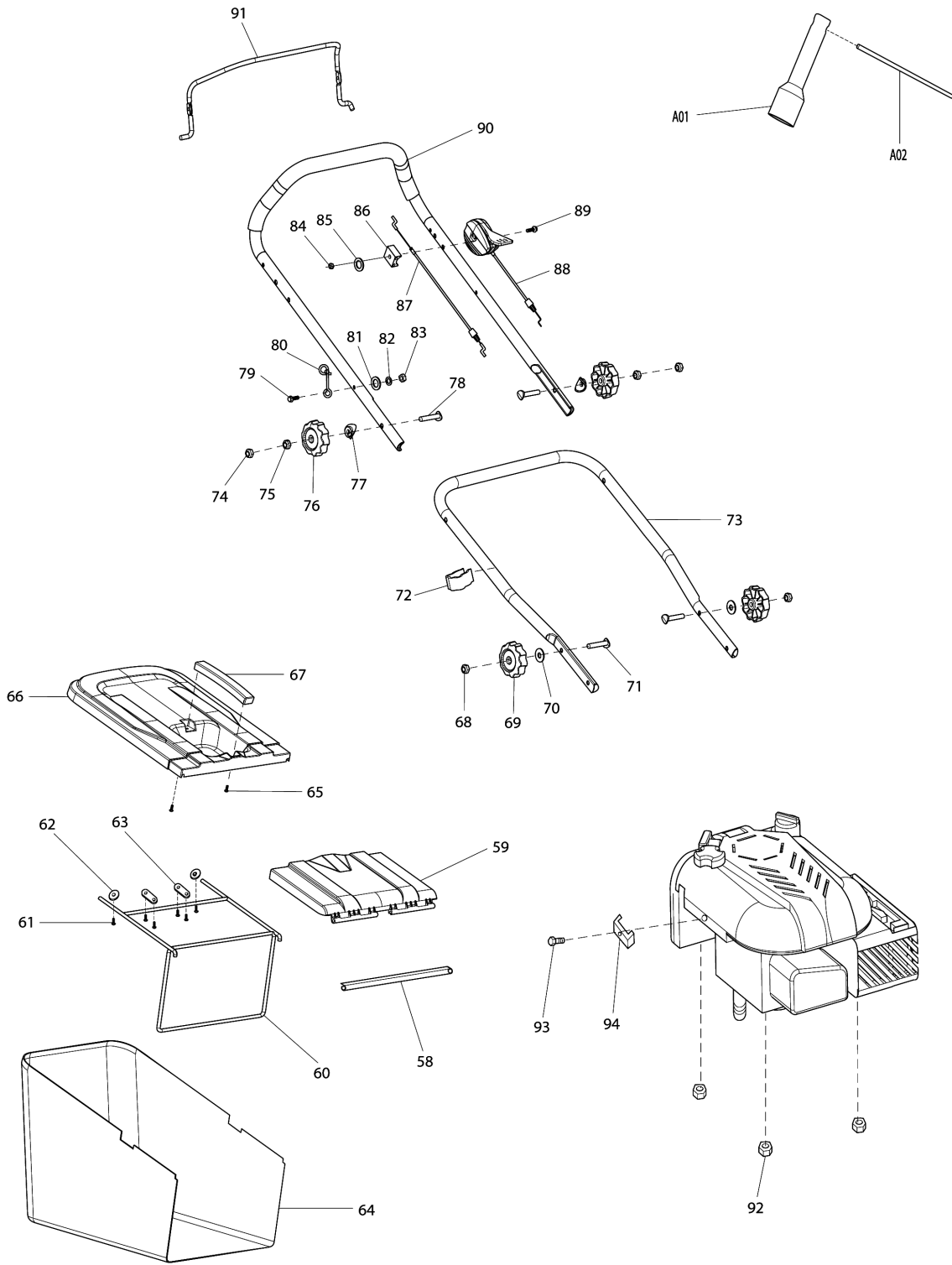


Model No.PLM4120N PETROL LAWN MOWER



Model No.PLM4120N PETROL LAWN MOWER



Model No.PLM4120N PETROL LAWN MOWER

| Item | Parts No. | Description | I/C | Qty | New/Old | Opt. 1 | Opt. 2 | Note |
|-------|------------|-------------------------------|-----|-----|---------|--------|--------|------|
| 001 | 671006065 | BLADE TIGHTEN BOLT 3/8-24 UNF | | 1 | | | | |
| 002 | 671010730 | DISH SPRING WASHER | | 1 | | | | |
| 003 | 671001433 | BLADE 41 | | 1 | | | | |
| 004 | 671015252 | INNER FRANGE | | 1 | | | | |
| 005 | DA00000979 | BLADE SUPPORT LINING | | 1 | | | | |
| 006 | DA00000535 | HIGHT ADJUST SUPPORT SPRING | | 1 | | | | |
| 007 | DA00000586 | HEX. BOLT M8X35 | | 3 | | | | |
| 009 | DA00000832 | SPRING WASHER 8 | | 3 | | | | |
| 010 | 671007007 | FLAT WASHER 8 | | 3 | | | | |
| 011 | DA00000911 | TAPPING SCREW ST4.2X10 | | 8 | | | | |
| 012 | 671420001 | FRONT AXLE COVER | | 1 | | | | |
| 013 | 671001176 | WHEEL COVER 6.5 INCH | | 2 | | | | |
| 014 | DA00000537 | HEX.FLANGE LOCK NUT M8 | | 2 | | | | |
| 015 | DA00000538 | BALL BEARING 6201ZZ | | 2 | | | | |
| 016 | 671020150 | WHEEL ASSY 7 INCH | | 2 | | | | |
| 017 | DA00000538 | BALL BEARING 6201ZZ | | 2 | | | | |
| 018 | 671002028 | PAN.HED SCREW M6X45 | | 4 | | | | |
| 019 | 671418001 | FRONT AXLE MOUNT | | 2 | | | | |
| 020 | 671001428 | FRONT AXLE | | 1 | | | | |
| 021 | 671445001 | FRONT AXLE RETAINER | | 2 | | | | |
| 022 | DA00000549 | NYLON INSERT HEX.LOCK NUT M6 | | 4 | | | | |
| 023 | DA00000536 | WHEEL COVER 7 INCH | | 2 | | | | |
| 024 | DA00000537 | HEX.FLANGE LOCK NUT M8 | | 2 | | | | |
| 025 | DA00000538 | BALL BEARING 6201ZZ | | 2 | | | | |
| 026 | 671020160 | WHEEL ASSY 8 INCH | | 2 | | | | |
| 027 | DA00000538 | BALL BEARING 6201ZZ | | 2 | | | | |
| 028 | 671002019 | TRUSS HEAD SCREW M6X12 | | 4 | | | | |
| 029 | DA00000542 | AXLE RETAINER | | 2 | | | | |
| 030 | DA00000543 | HEX.FLANGE LOCK NUT M6 | | 4 | | | | |
| 031 | DA00000912 | PAN.HED SCREW M5X14 | | 2 | | | | |
| 032 | 671001430 | HEIGHT ADJUSTMENT LEVER ASSY | | 1 | | | | |
| 033 | 671005011 | NYLON INSERT HEX.LOCK NUT M5 | | 2 | | | | |
| 034 | 671001029 | HANDLE SHEATH | | 1 | | | | |
| 035 | 671001423 | REAR AXLE | | 1 | | | | |
| 036 | 671235300 | WHEEL AXIS SHEATH | | 4 | * | | | |
| 036-1 | DA00001025 | REAR AXLE MOUNT | O | 4 | | | | |
| 037 | DA00000603 | TAPPING SCREW ST4X16 | | 2 | | | | |
| 038 | 671317001 | PRESSING BOARD OF LOCKING | | 1 | | | | |
| 039 | 671011005 | COMPRESSION SPRING | | 1 | | | | |
| 040 | 671316004 | LOCKING BUTTON | | 1 | | | | |

Please order the parts with part number.

Print Date 31/3/2020

Model No.PLM4120N PETROL LAWN MOWER

| Item | Parts No. | Description | I/C | Qty | New/Old | Opt. 1 | Opt. 2 | Note |
|-------|------------|--------------------------------|-----|-----|---------|--------|--------|------|
| 041 | 671450001 | MULCHING BOX | | 1 | | | | |
| 042 | 671002019 | TRUSS HEAD SCREW M6X12 | | 2 | | | | |
| 043 | DA00000787 | HEIGHT ADJUSTER STOP PLATE | | 1 | | | | |
| 044 | DA00000543 | HEX.FLANGE LOCK NUT M6 | | 2 | | | | |
| 045 | 671001182 | DECK BULE | | 1 | | | | |
| 046 | 671011125 | HEIGHT ADJUST TENSION SPRING | | 2 | | | | |
| 047 | DA00000970 | LINK ROD | | 1 | | | | |
| 048 | DA00000549 | NYLON INSERT HEX.LOCK NUT M6 | | 2 | | | | |
| 049 | DA00000562 | HEX.FLANGE BOLT M8X16 | | 4 | | | | |
| 050 | 671001180 | RIGHT HANDLE BRACKET BLUE | | 1 | | | | |
| 051 | DA00000537 | HEX.FLANGE LOCK NUT M8 | | 4 | | | | |
| 052 | DA00000543 | HEX.FLANGE LOCK NUT M6 | | 2 | | | | |
| 053 | 671009017 | STOP RING E-6 | | 2 | | | | |
| 054 | 671001498 | REAR FLAP HINGE ROD | | 1 | | | | |
| 055 | 671011101 | REAR FLAP TORSION SPRING | | 1 | | | | |
| 056 | 671001179 | LEFT HANDLE BRACKET BLUE | | 1 | | | | |
| 058 | 671014170 | GRASS CATCHER FRAME SHEATH | | 1 | | | | |
| 059 | 671456001 | REAR FLAP | | 1 | | | | |
| 060 | 671001435 | GRASS CATCHER FRAME | | 1 | | | | |
| 061 | DA00000888 | TAPPING SCREW ST5X12 | | 6 | | | | |
| 062 | 671001436 | WASHER 4 | | 2 | * | | | |
| 062-1 | DA00000025 | WASHER 5 | O | 2 | | | | |
| 063 | 671001203 | RETAINER PLATE | | 2 | * | | | |
| 063-1 | DA00000335 | RETAINER PLATE | O | 2 | | | | |
| 064 | 671001416 | GRASS CATCHER CLOSS SET MAKITA | | 1 | | | | |
| 065 | 671105502 | TAPPING SCREW ST5X16 | | 2 | * | | | |
| 065-1 | DA00000326 | TAPPING SCREW ST5X16 | O | 2 | | | | |
| 066 | 671455001 | GRASS CATCHER COVER | | 1 | | | | |
| 067 | 671454001 | GRASS CATCHER HANDLE | | 1 | | | | |
| 068 | DA00000563 | HEXAGON NUT M8 | | 2 | | | | |
| 069 | DA00000564 | KNOB | | 2 | | | | |
| 070 | 671007007 | FLAT WASHER 8 | | 2 | | | | |
| 071 | DA00000880 | SADDLE HEAD BOLT M8X35 | | 2 | | | | |
| 072 | 671611001 | CABLE CLIP | | 1 | | | | |
| 073 | DA00000962 | LOWER HANDLE POLE | | 1 | | | | |
| 074 | 671005011 | NYLON INSERT HEX.LOCK NUT M5 | | 2 | | | | |
| 075 | DA00000563 | HEXAGON NUT M8 | | 2 | | | | |
| 076 | DA00000564 | KNOB | | 2 | | | | |
| 077 | DA00000565 | PLASTIC SADDLE WASHER 8 | | 2 | | | | |

Model No.PLM4120N PETROL LAWN MOWER

| Item | Parts No. | Description | I/C | Qty | New/Old | Opt. 1 | Opt. 2 | Note |
|------|------------|------------------------|-----|-----|---------|--------|--------|------|
| 078 | DA00000975 | FLAT HEAD BOLT M8*55 | | 2 | | | | |
| 079 | DA00000577 | HEX.FLANGE BOLT M6X35 | | 1 | | | | |
| 080 | DA00000579 | STARTER GRIP HOOK | | 1 | | | | |
| 081 | DA00000574 | FLAT WASHER 6 | | 1 | | | | |
| 082 | DA00000864 | SPRING WASHER 6 | | 1 | | | | |
| 083 | DA00000575 | HEX.CAP NUT M6 | | 1 | | | | |
| 084 | DA00000575 | HEX.CAP NUT M6 | | 1 | | | | |
| 085 | DA00000574 | FLAT WASHER 6 | | 1 | | | | |
| 086 | DA00000573 | OUTER WIRE STOPPER | | 1 | | | | |
| 087 | DA00000976 | FRAMEOUT CORD ASS'Y | | 1 | | | | |
| 088 | DA00000978 | THROTTLE LEVER ASSY | | 1 | | | | |
| 089 | DA00000572 | HEX.FLANGE BOLT M6X55 | | 1 | | | | |
| 090 | 671002001 | UPPER HANDLE BAR ASSY | | 1 | | | | |
| 091 | DA00000961 | ENGINE CLUTCH LEVER | | 1 | | | | |
| 092 | DA00000537 | HEX.FLANGE LOCK NUT M8 | | 3 | | | | |
| 093 | 671003012 | HEX. BOLT M5X14 | | 1 | | | | |
| 094 | 671010830 | OUTER WIRE STOPPER | | 1 | | | | |
| A01 | DA00000583 | BOX WRENCH 16MM | | 1 | | | | |
| A02 | DA00000584 | WRENCH HANDLE | | 1 | | | | |

Please order the parts with part number.

Print Date 31/3/2020