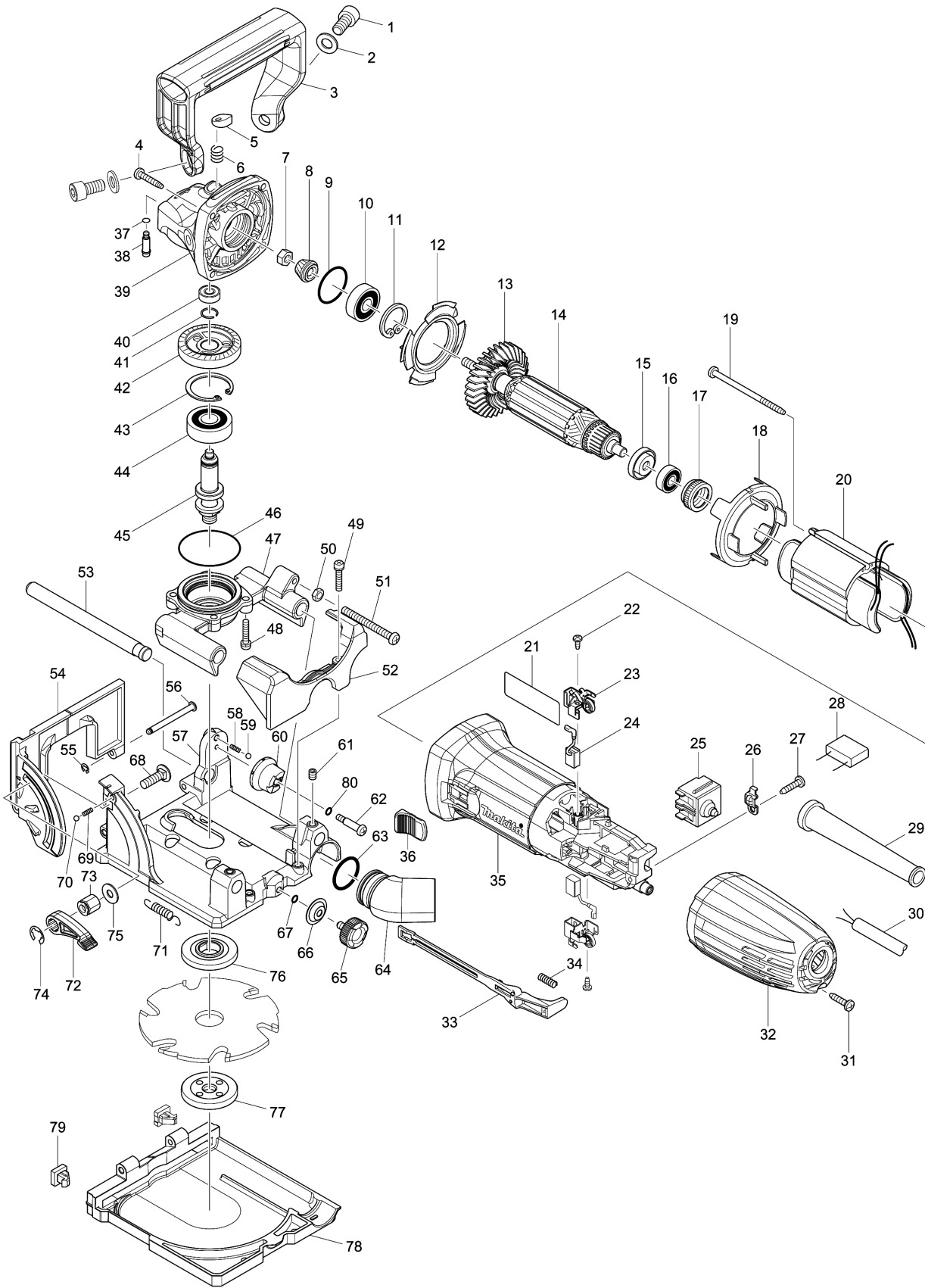


Model No.PJ7000 PLATE JOINER



Model No.PJ7000 PLATE JOINER

Item	Parts No.	Description	I/C	Qty	New/Old	Opt. 1	Opt. 2	Note
001	922422-3	HEX. SOCKET HEAD BOLT M8X16		2				
002	941202-8	FLAT WASHER 8		2				
003	453218-6	GRIP		1				
004	266324-6	TAPPING SCREW 4X22		4				
005	417771-6	PIN CAP		1				
006	234057-1	COMPRESSION SPRING 8		1				
007	252186-8	HEX. NUT M6		1				
008	227545-5	SPIRAL BEVEL GEAR 10		1				
009	213445-5	O-RING 26		1				
010	211092-6	BALL BEARING 629DDW		1				
011	962105-3	RETAINING RING R-26		1				
012	413126-3	GUIDE PLATE		1				
013A	240107-2	FAN 56		1	*			
013-1A	240139-9	FAN 56	O	1				
013-1B	240139-9	FAN 56		1				
014	517649-4	ARMATURE ASS'Y 240V		1				
D10		INC. 13,15,16						
015	681636-0	INSULATION WASHER		1				
016	210034-7	BALL BEARING 607LLB		1				
017	421868-5	LABYRINTH RUBBER RING 19		1				
018	450796-7	BAFFLE PLATE		1				
019	266325-4	TAPPING SCREW 4X70		2				
020	623533-4	FIELD 220-240V		1				
021	896483-8	PJ7000 NAME PLATE		1				
022	266492-5	TAPPING SCREW 3X8		2				
023	643839-4	BRUSH HOLDER 6X9		2				
024	194722-3	CARBON BRUSH CB-459		1				
025	650621-4	SWITCH PS10		1				
026	687681-3	STRAIN RELIEF		1				
027	266326-2	TAPPING SCREW 4X18		1				
028	638739-1	CAPACITOR UNIT		1				
029	682502-4	CORD GUARD 8-85		1				
030	695034-2	POWER SUPPLY CORD 1.0-2- 4.0		1				
031	266326-2	TAPPING SCREW 4X18		1				
032	450794-1	REAR COVER		1				
033	450797-5	SWITCH LEVER		1				
034	233121-5	COMPRESSION SPRING 4		1				
035	450795-9	MOTOR HOUSING		1				
036	419566-3	SWITCH KNOB		1				
037	213032-0	O RING 4		1				
038	256510-7	SHOULDER PIN 4		1				

Model No.PJ7000 PLATE JOINER

Item	Parts No.	Description	I/C	Qty	New/Old	Opt. 1	Opt. 2	Note
039	141327-0	GEAR HOUSING COMPLETE		1				
C10	263002-9	RUBBER PIN 4		1				
040	210033-9	BALL BEARING 696ZZ		1				
041	233950-6	RING SPRING 11		1				
042	227546-3	SPIRAL BEVEL GEAR 37		1				
043	962151-6	RETAINING RING R-32		1				
044	211129-9	BALL BEARING 6201DDW		1				
045	326120-5	SPINDLE		1				
046	213561-3	O RING 42		1				
047	318811-2	BEARING BOX		1				
048	911136-9	PAN HEAD SCREW M4X20		4				
049	911136-9	PAN HEAD SCREW M4X20		2				
050	931203-4	HEX. NUT M5		1				
051	266741-0	PAN HEAD SCREW M5X50		1				
052	453406-5	BASE COVER		1				
053	326145-9	ROD 10		2				
054	141247-8	FENCE COMPLETE		1				
C10	890236-7	SCALE PLATE		1				
055	961017-7	STOP RING E-3		2				
056	256689-4	PIN 4		2				
057	318813-8	BASE		1				
058	231282-5	COMPRESSION SPRING 2.4		1				
059	216001-0	STEEL BALL 3.5		1				
060	318814-6	STOPPER		1				
061	266264-8	H.S.SET SCREW(FLAT POINT)M5X6		2				
062	266738-9	+PAN HEAD SCREW M4		1				
063	213008-7	O RING 22.4		1				
064	415252-4	DUST NOZZLE		1				
065	265785-7	THUMB SCREW M5X10		1				
066	232131-9	LEAF SPRING		1				
067	213023-1	O RING 4		1				
068	266737-1	FLAT HEAD SQ. NECK BOLT M6X20		1				
069	231282-5	COMPRESSION SPRING 2.4		1				
070	216001-0	STEEL BALL 3.5		1				
071	231795-6	TENSION SPRING 8		2				
072	272263-0	LEVER 40		1				
073	252159-1	HEX. NUT M6		1				
074	961014-3	STOP RING E-8		1				
075	253804-1	FLAT WASHER 6		1				
076	224280-6	INNER FLANGE 40		1				
077	224505-8	LOCK NUT 10-40		1				

Model No.PJ7000 PLATE JOINER

Item	Parts No.	Description	I/C	Qty	New/Old	Opt. 1	Opt. 2	Note
078	318845-5	BLADE COVER		1				
079	424479-5	RUBBER SPIKE		2				
080	213023-1	O RING 4		1				
A01	123149-0	ANGLE GUIDE ASSEMBLY		1				
D10		COMPO-PARTS						
A02	123150-5	DUST BAG ASSEMBLY		1				
C10	410602-8	FASTENER		1				
A03	415579-2	SET PLATE 4		1				
A04	B-20644	CUTTER 100MMX6T		1	*			
A04-1	B-20644	CUTTER 100MMX6T	O	1				
A05	782401-1	LOCK NUT WRENCH 20		1				
A06A	821509-7	PLASTIC CARRYING CASE		1				
C10	163455-1	LATCH		2				
A06B	821551-8	CONNECTOR PLASTIC CASE (TYPE3)		1	*			
C10	453974-8	LATCH		4	*			
A06-1B	821551-8	CONNECTOR PLASTIC CASE (TYPE3)	<	1				
C10	453974-8	LATCH		4				
A07A	890459-7	PJ7000 PLASTIC CASE LABEL		2				
A07B	837661-1	INNER TRAY		1				
A08B	800X58-1	PJ7000J INDICATION LABEL		1				
A09B	800X59-9	PJ7000J PLASTIC CASE LABEL		2				

Please order the parts with part number.

Print Date 31/3/2020