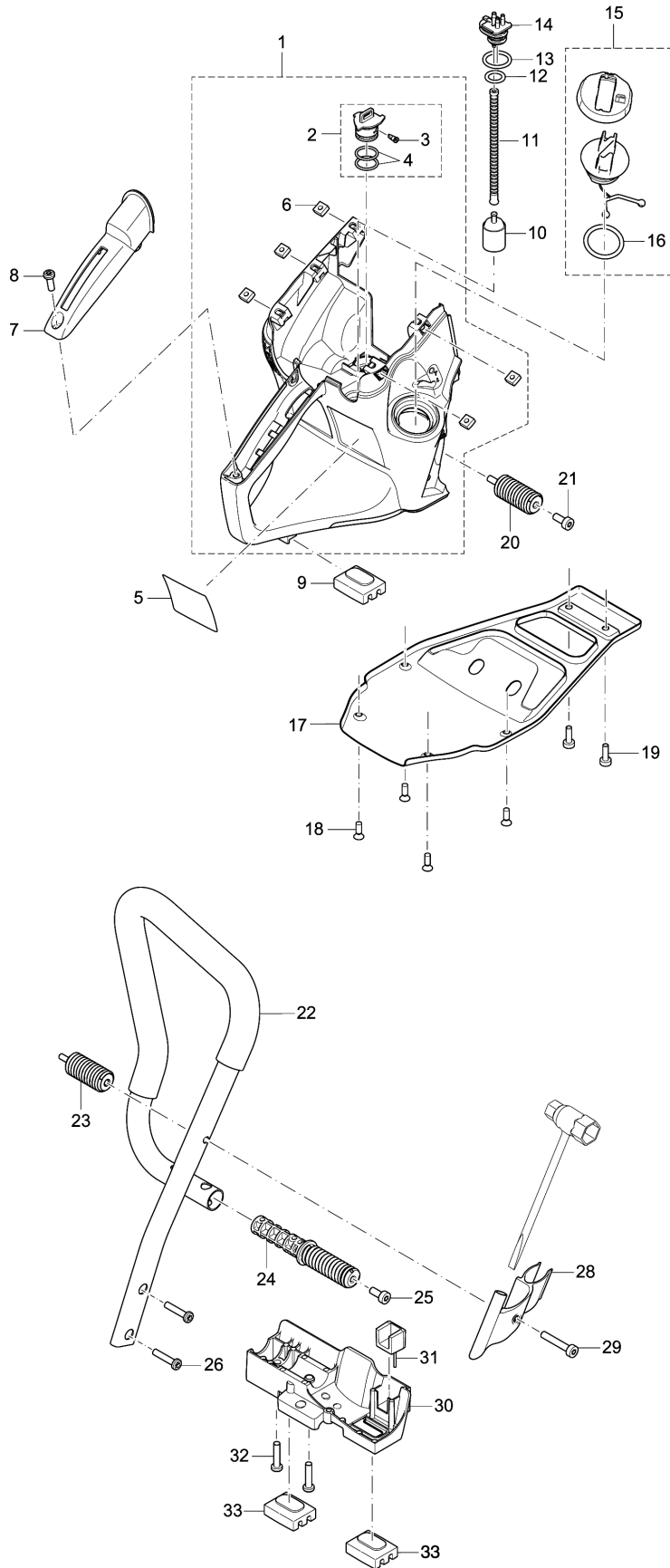
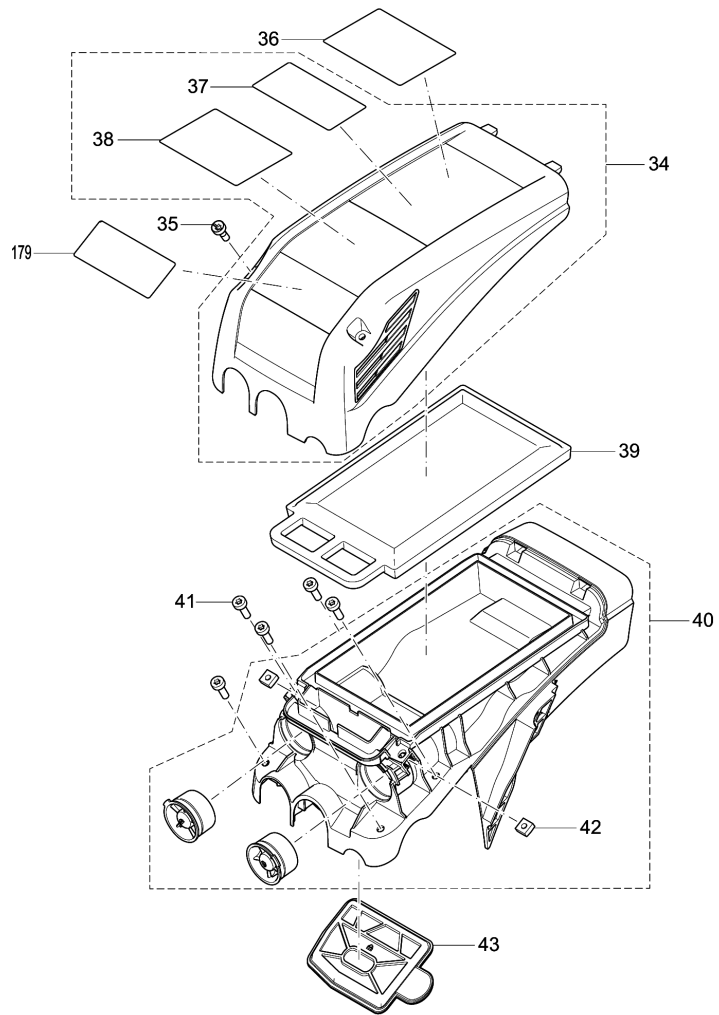


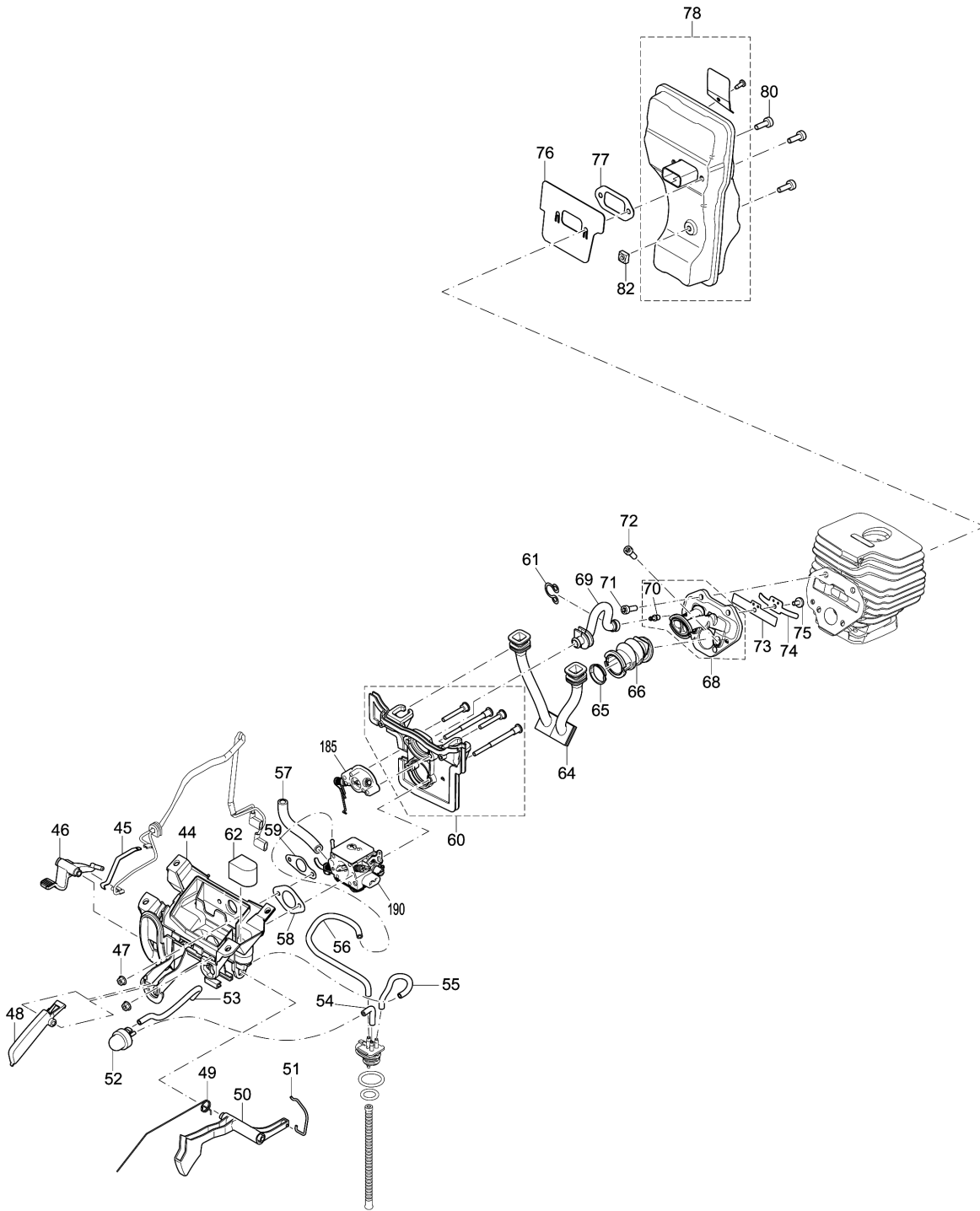
Model No.PC6112 POWER CUTTER



Model No.PC6112 POWER CUTTER

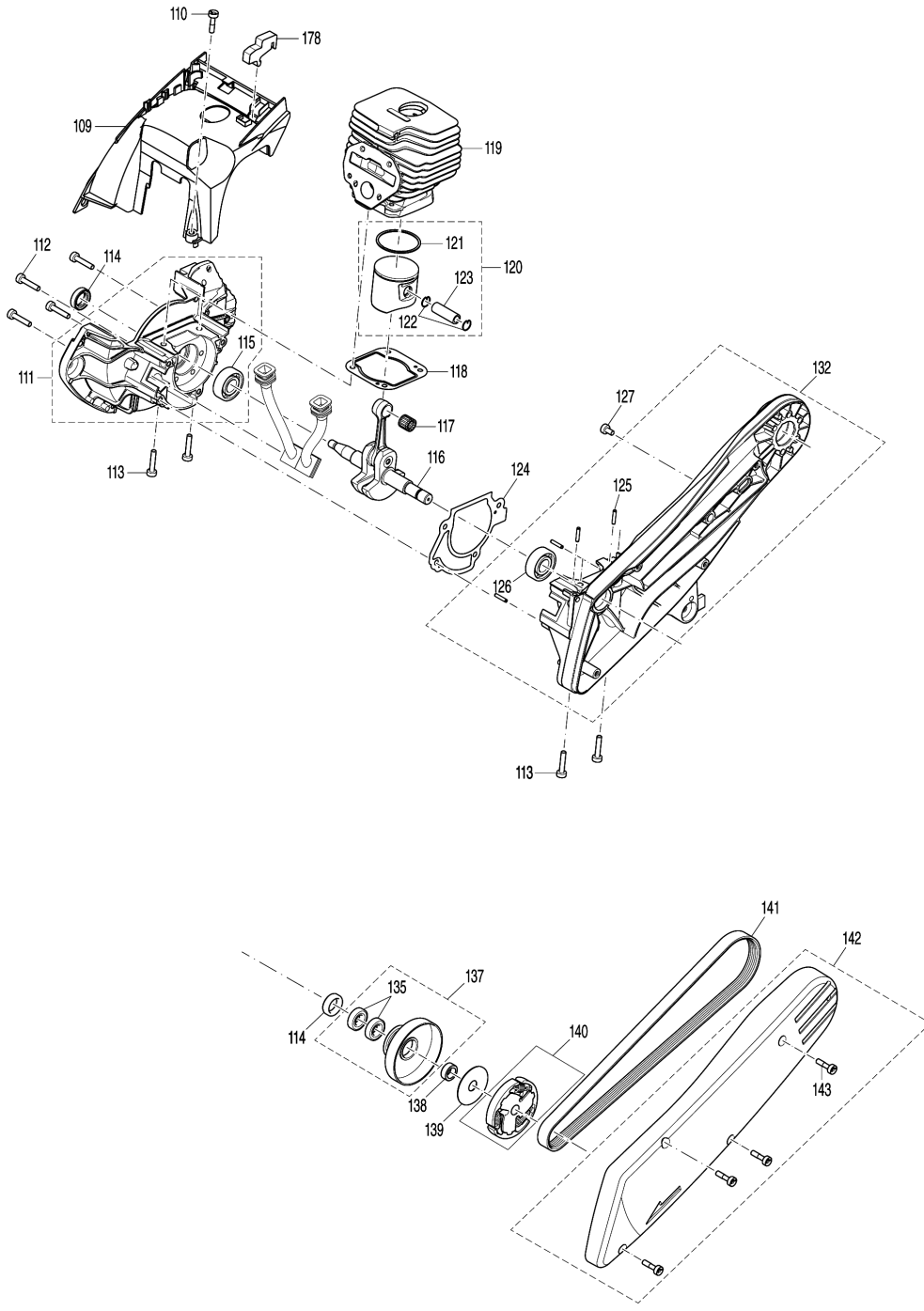


Model No.PC6112 POWER CUTTER

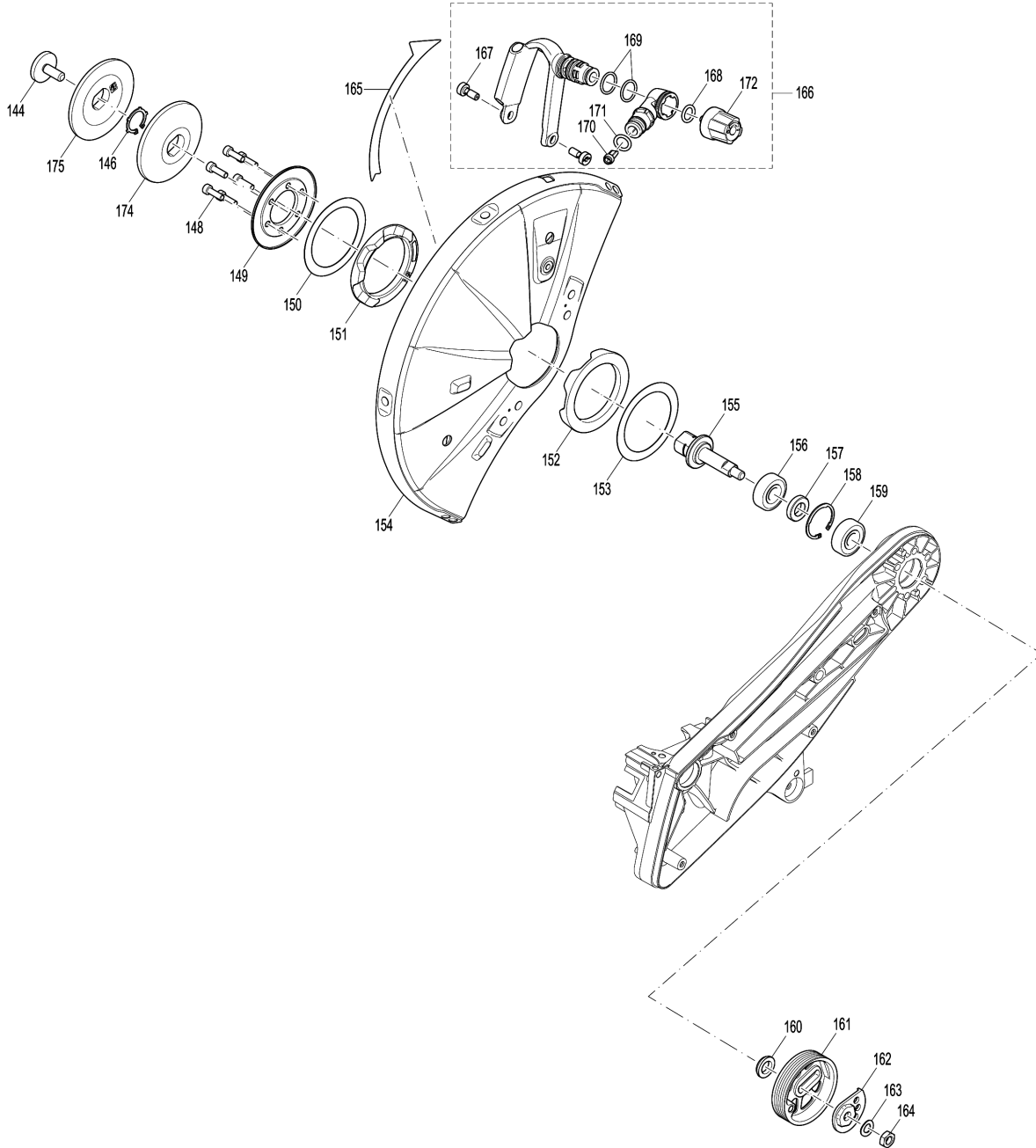




Model No.PC6112 POWER CUTTER



Model No.PC6112 POWER CUTTER



Model No.PC6112 POWER CUTTER

Item	Parts No.	Description	I/C	Qty	New/Old	Opt. 1	Opt. 2	Note
001	123477-3	FUEL TANK CPL. RED		1				
	D10	INC. 2						
002	143445-0	VALVE COVER CPL.		1				
	D10	INC. 3,4						
003	424170-5	VALVE		1				
004	213829-7	O-RING 17		2				
005	852C56-5	PC-6112 NAME PLATE		1				
006	264108-6	SQUARE NUT M5		5				
007	456295-7	GRIP OUTER SHELL		1				
008	266478-9	H.L.TAPPING SCREW 5.5X16		1				
009	424781-6	RUBBER FOOT		1				
010	163499-1	SUCTION HEAD		1				
011	424782-4	FUEL LINE		1				
012	213826-3	O-RING 13		1				
013	213827-1	O-RING 20		1				
014	456299-9	NIPPLE		1				
015	141378-3	TANK CAP COMPLETE		1				
	D10	INC. 16						
016	213080-9	O RING 29.5		1				
017	346958-2	BOTTOM SHEET		1				
018	266991-7	H.L.TAPPING SCREW 5X15		4				
019	266605-8	H.L. SOCKET HEAD BOLT M5X16		2				
020	143461-2	DAMPING SPRING COMPLETE		2				
021	266950-1	H.L.SOCKET HEAD BOLT M6X14		2				
022	143442-6	TUBULAR HANDLE CPL.		1				
023	143460-4	DAMPING SPRING CPL.		1				
024	143462-0	DAMPING SPRING COMPLETE		1				
025	266950-1	H.L.SOCKET HEAD BOLT M6X14		1				
026	266475-5	H.L.TAPPING SCREW 5.5X20		2				
028	456297-3	CLAMP HANDLE		1				
029	266990-9	H.L. SOCKET HEAD BOLT M6X35		1				
030	319369-4	STAND SUPPORT		1				
031	424788-2	DAMPER		1				
032	266475-5	H.L.TAPPING SCREW 5.5X20		2				
033	424781-6	RUBBER FOOT		2				
034	143451-5	FILTER COVER CPL.		1				
	D10	INC. 37,38						
035	266947-0	H.L. SOCKET HEAD BOLT M5X14		2				
036	807L79-2	CAUTION LABEL		1				
037	807F55-0	WARNING SYMBLOS		1				

Model No.PC6112 POWER CUTTER

Item	Parts No.	Description	I/C	Qty	New/Old	Opt. 1	Opt. 2	Note
038	807F56-8	START PROCEDURE LABEL		1				
039	424789-0	AIR FILTER		1				
040	143453-1	HOOD CPL. RED		1				
D10		INC. 42						
041	266605-8	H.L. SOCKET HEAD BOLT M5X16		5				
042	264108-6	SQUARE NUT M5		2				
043	424790-5	INNER FILTER		1	*			
043-1	422201-4	SEALING INTAKE MANIFOLD	<	1				
044	456291-5	INTAKE MANIFOLD		1				
045	346957-4	CONTACT SPRING		1				
046	456292-3	CHOKE LEVER		1				
047	264119-1	HEXAGONAL NUT M4		4				
048	456294-9	CATCH LEVER		1				
049	233631-2	SPRING		1				
050	456293-1	THROTTLE LEVER		1				
051	326621-3	THROTTLE LINKAGE		1				
052	168398-2	PRIMER PUMP		1				
053	424785-8	VITON TUBE L=122mm		1				
054	424783-2	VITON TUBE L=40mm		1				
055	424784-0	VITON TUBE L=84mm		1				
056	424786-6	VITON TUBE L=200mm		1				
057	424787-4	TUBE. VITON 10X6 L=82MM		1				
058	346956-6	GASKET INTAKE MANIFOLD		1				
059	346955-8	GASKET AIR VALVE		1				
060	143440-0	INTERMEDIATE WALL CPL.		1				
061	282028-2	TUBE CLIP	S	1	*			
062	424780-8	FOAM INSERT		1				
064	424777-7	SUCTION PIPE		2				
065	346867-5	GUIDE RING		1				
066	424778-5	SUCTION HOSE		1				
068	143439-5	AIR HOSE CPL.		1				
D10		INC. 70						
069	424795-5	IMPULSE LINE		1				
070	324999-8	NIPPLE		1	*			
070-1	326770-6	NIPPLE	S	1				
071	266986-0	H.L. SOCKET HEAD BOLT M5X14		2				
072	266986-0	H.L. SOCKET HEAD BOLT M5X14		2				
073	346951-6	REED VALVE		1				
074	310674-2	VALVE STOPPER		1				
075	266985-2	H.L. SOCKET HEAD BOLT M4X8		1				



Model No.PC6112 POWER CUTTER

Item	Parts No.	Description	I/C	Qty	New/Old	Opt. 1	Opt. 2	Note
076	346959-0	COOLING PLATE		1				
077	346876-4	MUFFLER GASKET		1				
078	161392-3	MUFFLER CPL.		1				
080	266605-8	H.L. SOCKET HEAD BOLT M5X16		3				
082	264108-6	SQUARE NUT M5		1				
083	143456-5	STARTING DEVICE RED CPL.		1				
D10		INC. 84,86-96						
084	143457-3	STARTER HOUSING RED CPL.		1				
085	806P13-3	DOLMAR LOGO LABEL		1				
086	452458-3	STARTER GRIP		1				
087	267862-1	SPRING WASHER 5		1				
088	424797-1	STARTER ROPE D=4.0 L=1000		1				
089	266938-1	H.L. SOCKET HEAD BOLT M5X20		4				
090	140587-1	REWIND SPRING COMPLETE		1				
092	456308-4	CABLE DRUM		1				
093	234193-3	SPRING EASY START		1				
094	456309-2	DRIVER EASY START		1				
095	266616-3	SCREW		1				
096	456307-6	AIR GUIDE PLATE		1				
097	161390-7	SHORT-CIRCUIT CABLE		1				
099	266472-1	TORX SOCKET HEAD BOLT M5X20		2	*			
099-1	266472-1	TORX SOCKET HEAD BOLT M5X20	O	2				
100	346954-0	EARTH SHEET		1				
101	451462-9	ISOLATING WASHER		2				
102	123479-9	IGNITION COIL CPL.		1				
D10		INC. 103,180						
103	424706-0	PLUG CAP		1				
104	168517-0	SPARK PLUG		1				
105	143450-7	FLYWHEEL COMPLEE		1				
D10		INC. 106,181,182						
106	346953-2	RATCHET		2				
107	267822-3	SPRING WASHER 8		1				
108	264022-6	HEX. NUT M8X1		1				
109	456289-2	COOLING HOOD		1				
110	266942-0	H.L. SOCKET HEAD BOLT M5X20		1				
111	143437-9	CRANKCASE MS CPL.		1				
D10		INC. 115						
112	266984-4	H.L. SOCKET HEAD BOLT M5X25		4				
113	266984-4	H.L. SOCKET HEAD BOLT M5X25		4				

Model No.PC6112 POWER CUTTER

Item	Parts No.	Description	I/C	Qty	New/Old	Opt. 1	Opt. 2	Note
114	213814-0	RADIAL RING		2				
115	211154-0	BALL BEARING 6202		1				
116	143435-3	CRANK SHAFT COMPLETE		1				
117	212164-0	NEEDLE CAGE		1				
118	346950-8	CYLINDERBASE GASKET		1				
119	319375-9	CYLINDER 47		1				
120	143436-1	PISTON COMPLETE		1	*			
D10		INC. 121,122,123			*			
120-1	143436-1	PISTON COMPLETE	S	1	*			
D10		INC. 121,122			*			
120-2	191L97-3	PISTON SET	<	1				
D10		INC. 121,122,123,192						
121	257384-9	PISTON RING D47		1				
122	234390-1	CIRCLIP 11		2	*			
122-1	234390-1	CIRCLIP 11	S	1				
123	257846-7	PISTON PIN		1	*			
123-1	257846-7	PISTON PIN	S	1				
124	346966-3	CRANK CASE GASKET		1				
125	258038-1	CLAMPING PIN		4				
126	211154-0	BALL BEARING 6202		1				
127	266474-7	H.L. SOCKET HEAD BOLT M5X9		1				
132	143448-4	CRANKCASE CS CPL.		1				
D10		INC. 125,126						
135	211168-9	BALL BEARING 6901		2				
137	161387-6	CLUTCH DRUM CPL.		1				
D10		INC. 135						
138	257385-7	SPACER		1				
139	267389-1	FLAT WASHER 12		1				
140	168510-4	CLUTCH COMPLETE		1				
141	424798-9	POLY-V-BELT 6PJ 716 ELAST		1				
142	143443-4	BELT COVER MAKITA CPL.		1				
D10		INC. 143						
143	266942-0	H.L. SOCKET HEAD BOLT M5X20		4				
144	266976-3	HEX. BOLT M8X25		1				
146	234389-6	RETAINING RING 20X1.2		1				
148	266986-0	H.L. SOCKET HEAD BOLT M5X14		6				
149	319373-3	PRESSURE RING		1				
150	424792-1	SLIDING DISK		1				
151	424794-7	RUBBER RING INSIDE		1				
152	424793-9	RUBBER RING OUTSIDE		1				

Model No.PC6112 POWER CUTTER

Item	Parts No.	Description	I/C	Qty	New/Old	Opt. 1	Opt. 2	Note
153	424792-1	SLIDING DISK		1				
154	143458-1	PROTECTION HOOD 300 CPL.		1	*			
154-1	140V92-0	HOOD COMPLETE	<	1				
D10		INC. 165						
155	326623-9	AXLE 20.0		1				
156	210148-2	BALL BEARING 6201LLU		1	*			
156-1	211137-0	BALL BEARING 6201LLU	O	1				
157	257386-5	SPACER		1				
158	234388-8	RETAINING RING 32X1.2		1				
159	210148-2	BALL BEARING 6201LLU		1	*			
159-1	211137-0	BALL BEARING 6201LLU	O	1				
160	216217-7	WASHER		1				
161	222187-0	PULLEY PJ6		1				
162	310675-0	ECCENTRIC DISK		1				
163	267822-3	SPRING WASHER 8		1				
164	264022-6	HEX. NUT M8X1		1				
165	807G51-4	CAUTION LABEL		1				
166	143452-3	WATER SET CPL.		1	*			
D10		INC. 167-172			*			
166-1	183J43-8	WATER ATTACHMENT SET	<	1				
C10	143452-3	WATER SET CPL.		1				
D10		INC. 167-172						
167	266994-1	JET SCREW		2				
168	213828-9	O-RING 11		1				
169	213584-1	O-RING 16		2				
170	424791-3	WATER FILTER		1				
171	213828-9	O-RING 11		1				
172	266993-3	REGULATING SCREW		1				
174	319370-9	PRESSURE DISC		1				
175	319370-9	PRESSURE DISC		1				
178	424796-3	STOPPER		1				
180	234358-7	TERMINAL SPRING		1				
181	266626-0	H.L. TAPPING SCREW 5X12		2				
182	233629-9	TORSION SPRING		2				
185	143441-8	AIR HEAD COMPLETE		1	*			
185-1	143441-8	AIR HEAD COMPLETE	O	1				
190	161395-7	CARBURETOR DM21A		1				
192	234390-1	CIRCLIP 11		1				
A01	197577-5	TOOL KIT		1	*			
C10	782025-3	TORX WRENCH		1	*			
C20	782029-5	UNIVERSAL WRENCH 13/19		1	*			
C30	783012-5	SCREWDRIVER		1	*			

Please order the parts with part number.

Print Date 7/9/2020

Model No.PC6112 POWER CUTTER

Item	Parts No.	Description	I/C	Qty	New/Old	Opt. 1	Opt. 2	Note
C40	831340-3	TOOL BAG		1	*			
A01-1	198692-8	TOOL KIT	<	1	*			
C10	782025-3	TORX WRENCH		1	*			
C20	782033-4	UNIVERSAL WRENCH 13/19	<	1	*			
C30	783012-5	SCREWDRIVER		1	*			
C40	831340-3	TOOL BAG		1	*			
A01-2	198692-8	TOOL KIT	O	1				
C10	782025-3	TORX WRENCH		1				
C20	782033-4	UNIVERSAL WRENCH 13/19	<	1				
C30	783012-5	SCREWDRIVER		1				
C40	831340-3	TOOL BAG		1				
E01	809P13-2	CLEAR LABEL		1				

Please order the parts with part number.

Print Date 7/9/2020