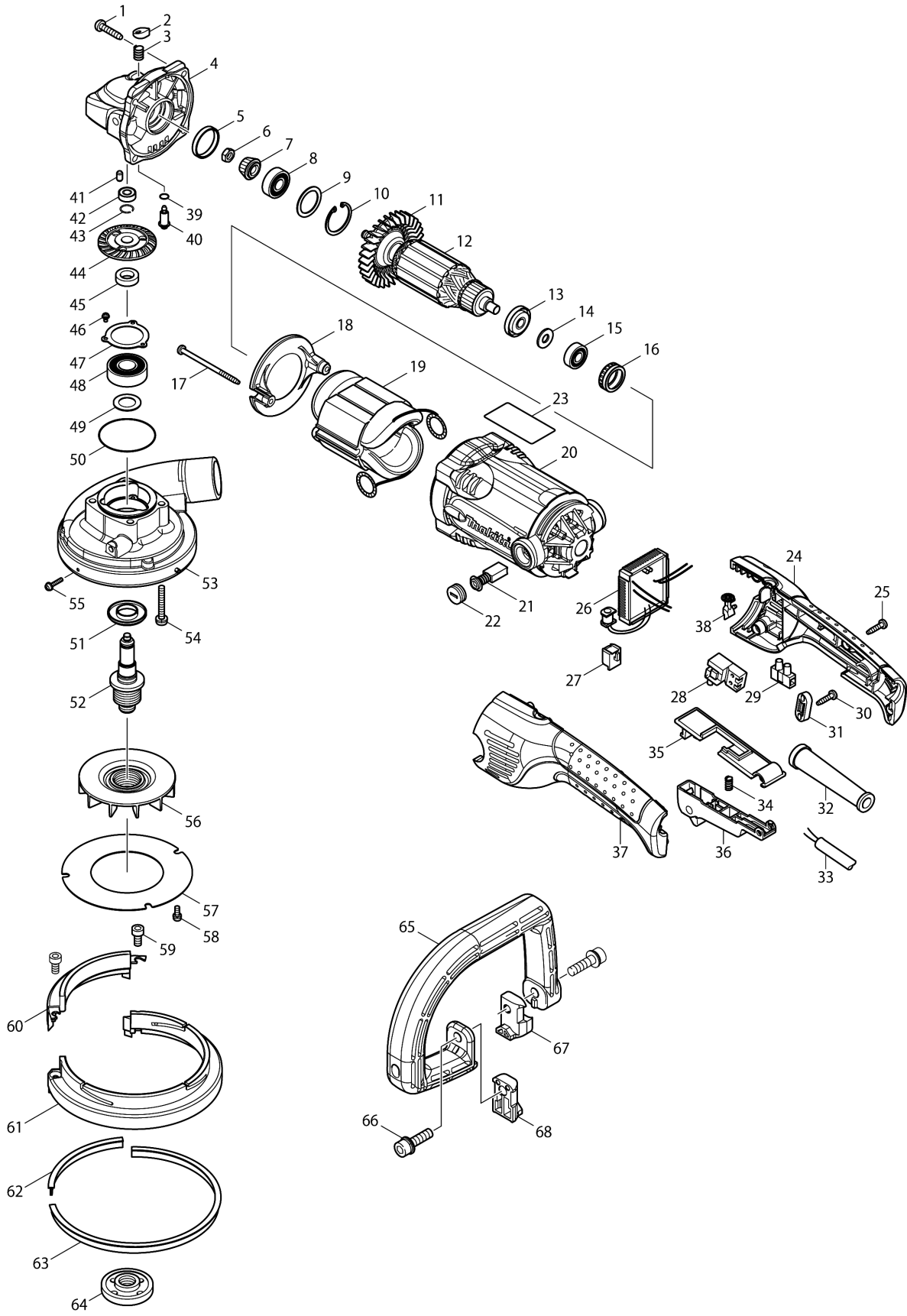


Model No.PC5000C CONCRETE PLANER 125MM



Model No.PC5000C CONCRETE PLANER 125MM

Item	Parts No.	Description	I/C	Qty	New/Old	Opt. 1	Opt. 2	Note
001	266459-3	TAPPING SCREW 5X25		4				
002	417771-6	PIN CAP		1				
003	234057-1	COMPRESSION SPRING 8		1				
004	318158-4	GEAR HOUSING		1				
005	424051-3	RUBBER RING 26		1				
006	264010-3	HEX.NUT M7		1				
007	227520-1	SPIRAL BEVEL GEAR 11		1				
008	211088-7	BALL BEARING 6000DDW		1	*			
008-1	210059-1	BALL BEARING 6000DDW	<	1				
009	267352-4	FLAT WASHER 22		1				
010	962107-9	RETAINING RING (INT) R-30		1				
011	240094-5	FAN 70		1				
012	510094-2	ARMATURE ASS'Y 240V		1	*			
D10		INC. 11,13-15			*			
012-1	513799-3	ARMATURE ASS'Y 240V	S	1	*			
D10		INC. 11,13-15			*			
012-2	518685-3	ARMATURE ASS'Y 240V	<	1				
D10		INC. 11,13-15						
013	681660-3	INSULATION WASHER		1				
014	267281-1	FLAT WASHER 8		1				
015	210044-4	BALL BEARING 608DDW		1	*			
015-1	210005-4	BALL BEARING 608DDW	O	1				
016	421720-7	RUBBER RING 22		1				
017	266325-4	TAPPING SCREW 4X70		2				
018	419961-7	BAFFLE PLATE		1				
019	525784-4	FIELD ASS'Y 240V		1	*			
C10	654020-2	RING TERMINAL		2	*			
C20	654501-6	CONNECTOR P-1.25		2	*			
019-1	528819-0	FIELD ASS'Y 240V	S	1				
C10	654020-2	RING TERMINAL		2				
C20	654501-6	CONNECTOR P-1.25		2				
020	140019-8	MOTOR HOUSING COMPLETE		1				
C10	643751-8	BRUSH HOLDER		2				
021	194547-5	CARBON BRUSH CB-253		1				
022	643750-0	BRUSH HOLDER CAP 7-11		2				
023	866345-4	PC5000C NAME PLATE		1				
024	188630-8	HANDLE SET		1				
D10		INC. 37						
025	266326-2	TAPPING SCREW 4X18		4				
026	631799-2	CONTROLLER		1				
027	418518-1	SLEEVE		1				
028	651922-3	SWITCH TG71B		1	*			

Please order the parts with part number.

Print Date 31/3/2020

Model No.PC5000C CONCRETE PLANER 125MM

Item	Parts No.	Description	I/C	Qty	New/Old	Opt. 1	Opt. 2	Note
028-1	650677-7	SWITCH C3PA-1112	<	1	*			
028-2	651922-3	SWITCH TG71B	<	1				
029	654575-7	TERMINAL BLOCK		1				
030	266326-2	TAPPING SCREW 4X18		2				
031	687124-5	STRAIN RELIEF		1				
032	682574-9	CORD GUARD 10-90		1				
033	665883-1	POWER SUPPLY CORD 1.0-2-5.0		1				
034	233117-6	COMPRESSION SPRING 6		1				
035	418519-9	SWITCH BASE		1				
036	158401-7	SWITCH LEVER A COMPLETE		1				
037	188630-8	HANDLE SET		1				
D10		INC. 24						
038	450184-8	LENS		1				
039	213977-2	O RING 7		1				
040	256505-0	SHOULDER PIN 5		1				
041	263002-9	RUBBER PIN 4		1				
042	210033-9	BALL BEARING 696ZZ		1				
043	233950-6	RING SPRING 11		1				
044	227521-9	SPIRAL BEVEL GEAR 35A		1				
045	257171-6	RING 12		1				
046	911003-8	PAN HEAD SCREW M3X6		3				
047	285728-3	BEARING RETAINER 39		1				
048	211241-5	BALL BEARING 6202DDW		1				
049	253853-8	FLAT WASHER 15		1				
050	213624-5	O RING 48		1				
051	345464-4	LABYRINTH RING		1				
052	325625-2	SPINDLE		1				
053	158914-8	SKIRT COMPLETE		1	*			
053-1	141021-4	SKIRT B COMPLETE	<	1				
054	911256-9	PAN HEAD SCREW M5X35		4				
055	911024-0	PAN HEAD SCREW M3X14		1				
056	240114-5	FAN 85		1				
057	346045-7	SEPARATOR		1				
058	911115-7	PAN HEAD SCREW M4X10		3				
059	922312-0	HEX. SOCKET HEAD BOLT M6X12		2				
060	424188-6	DUST COVER CAP		1	*			
060-1	424526-2	DUST COVER CAP	S	1				
061	424187-8	DUST COVER		1	*			
061-1	424525-4	DUST COVER	S	1				
062	443145-5	BRUSH B		1	*			
062-1	743341-8	BRUSH B	S	1				

Model No.PC5000C CONCRETE PLANER 125MM

Item	Parts No.	Description	I/C	Qty	New/Old	Opt. 1	Opt. 2	Note
063	443144-7	BRUSH A		1	*			
063-1	743340-0	BRUSH A	S	1				
064	224554-5	LOCK NUT 14-45		1				
065	416256-9	LOOP HANDLE		1				
066	922453-2	HEX.SOCKET HEAD BOLT M8X30		2				
067	450189-8	SPACER A		1				
068	450190-3	SPACER B		1				
069	253828-7	FLAT WASHER 10		1				
A01	122853-8	DUST BAG ASS'Y		1				
A02	410047-0	WRENCH HOLDER 5.6		1				
A03	782426-5	LOCK NUT WRENCH 35		1				
A04	783203-8	HEX. WRENCH 5		1				
A05	140073-2	STEEL CARRYING CASE COMPLETE		1				
C10	819351-8	MAKITA LOGO LABEL		1				
A06	194921-7	BRUSH SET		1	*			
A07	B-12295	OFFSET DIAMOND WHEEL 125		1				

Please order the parts with part number.

Print Date 31/3/2020