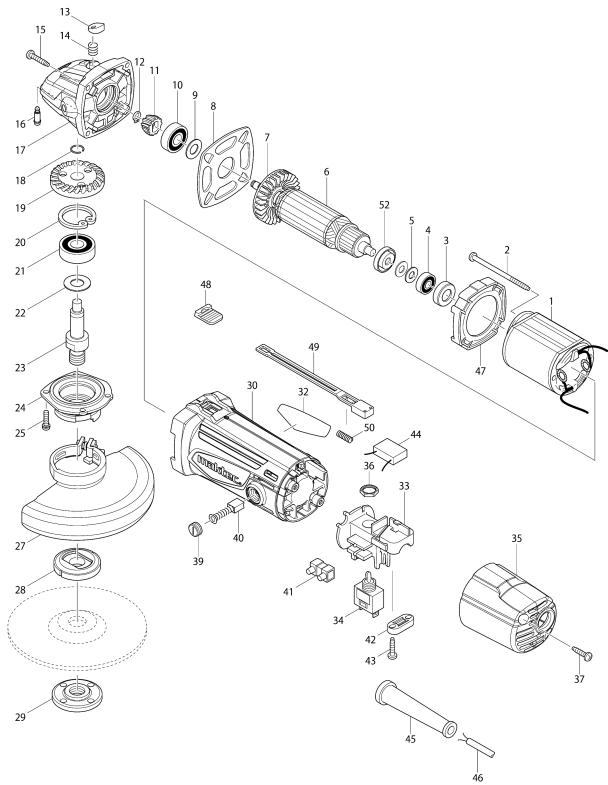


Model No.MT963 125MM ANGLE GRINDER



Model No.MT963 125MM ANGLE GRINDER

Item	Parts No.	Description	I/C	Qty	New/Old	Opt. 1	Opt. 2	Note
001	593523-0	FIELD ASS'Y 220-240V		1				
C10	654221-2	RING TERMINAL		2	*			
C11	654450-7	RING TERMINAL	O	2				
C20	654501-6	CONNECTOR P-1.25		2	*			
C21	654485-8	PARALLEL SPLICE	>	2				
002	266325-4	TAPPING SCREW 4X70		2				
003	421808-3	RUBBER RING 19		1				
004	210062-2	BALL BEARING 607ZZ		1				
005	267245-5	FLAT WASHER 7		2				
006	510173-6	ARMATURE ASSEMBLY 240V		1				
D10		INC. 4.5,7.52						
007	240059-7	FAN 50		1				
008	285704-7	BEARING RETAINER 69		1				
009	267256-0	FLAT WASHER 10		1				
010	210067-2	BALL BEARING 6000ZZ		1	*			
010-1	210199-5	BALL BEARING 6000ZZ	O	1				
011	227451-4	SPIRAL BEVEL GEAR 11		1				
012	961002-0	RETAINING RING S-6		1				
013	417771-6	PIN CAP		1				
014	233376-2	COMPRESSION SPRING 8		1				
015	266324-6	TAPPING SCREW 4X22		4				
016	256486-8	SHOULDER PIN 4		1				
017	140433-8	GEAR HOUSING COMPLETE		1				
C10	213445-5	O-RING 26		1				
018	233950-6	RING SPRING 11		1				
019	227452-2	SPIRAL BEVEL GEAR 36		1				
020	962151-6	RETAINING RING R-32		1				
021	211129-9	BALL BEARING 6201DDW		1				
022	267238-2	FLAT WASHER 12		1				
023	325978-9	SPINDLE		1				
024	318374-8	BEARING BOX		1				
025	265100-5	PAN HEAD SCREW M4X16		4				
027	122887-1	WHEEL COVER 125K ASSY		1	*			
C10	213009-5	O RING 4		1	*			
C20	265180-1	PAN HEAD SCREW M5X16		1	*			
027-1	123099-9	WHEEL COVER 125AK ASSEMBLY	<	1				
C10	213009-5	O RING 4		1				
C20	265180-1	PAN HEAD SCREW M5X16		1				
028	224415-9	INNER FLANGE 42		1				
029	224554-5	LOCK NUT 14-45		1				
030	140434-6	MOTOR HOUSING COMPLETE		1				
C10	643455-2	BRUSH HOLDER 6X9		2				

Please order the parts with part number.

Print Date 28/9/2020

Model No.MT963 125MM ANGLE GRINDER

Item	Parts No.	Description	I/C	Qty	New/Old	Opt. 1	Opt. 2	Note
032	868180-6	MT963 NAME PLATE		1				
033	418397-7	SUPPORT		1				
034	651424-9	SWITCH STL106AT		1				
035	451916-6	REAR COVER		1				
036	652112-1	HEX. NUT		1				
037	266326-2	TAPPING SCREW 4X18		2				
039	643987-9	BRUSH HOLDER CAP 5-8		2				
040	191940-4	CARBON BRUSH CB-411		1				
041	654588-8	TERMINAL BLOCK		1	*			
041-1	654532-5	TERMINAL BLOCK 1P	O	1				
042	687124-5	STRAIN RELIEF		1				
043	266326-2	TAPPING SCREW 4X18		2				
044	645190-8	NOISE SUPPRESSOR		1				
045	682569-2	CORD GUARD 8-85		1				
046	665383-1	POWER SUPPLY CORD 1.0-2-2.0		1	*			
046-1	695556-2	POWER SUPPLY CORD 1.0-2-2.0	O	1	*			
046-2	665383-1	POWER SUPPLY CORD 1.0-2-2.0	O	1				
047	418015-7	BAFFLE PLATE		1				
048	418016-5	SWITCH KNOB		1				
049	418017-3	SWITCH LEVER		1				
050	233360-7	COMPRESSION SPRING 4		1				
052	681636-0	INSULATION WASHER		1				
A01	153489-2	GRIP 36 COMPLETE		1				
A02	782423-1	LOCK NUT WRENCH 35		1				

Please order the parts with part number.

Print Date 28/9/2020