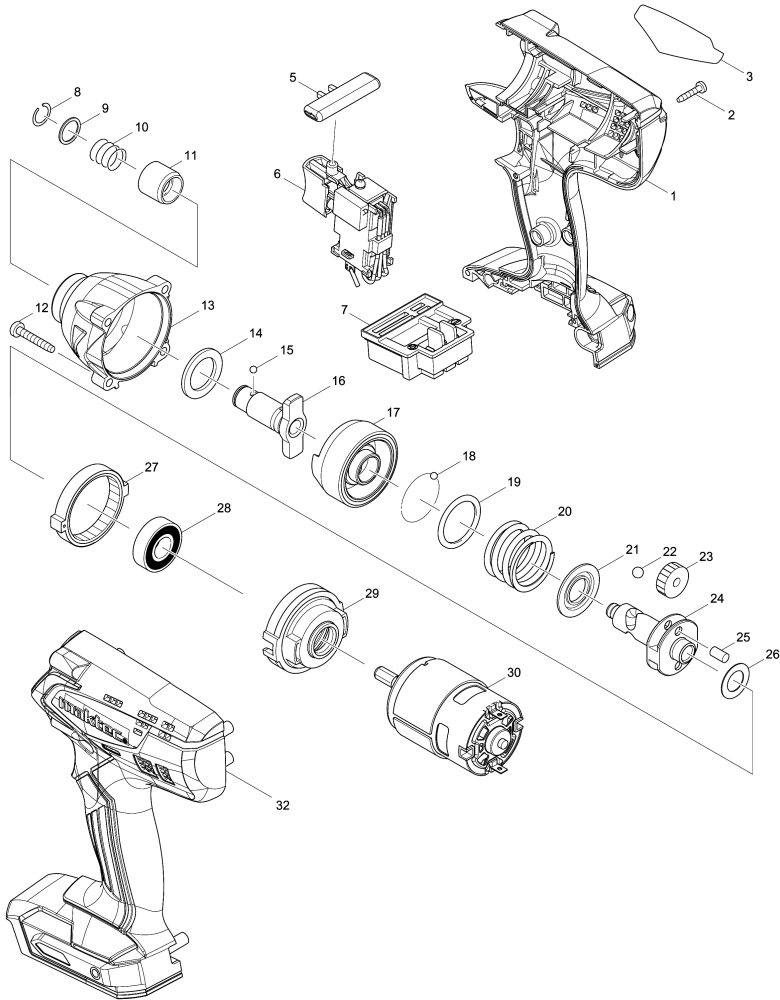


Model No.MT691 CORDLESS IMPACT DRIVER



Model No.MT691 CORDLESS IMPACT DRIVER

Item	Parts No.	Description	L/C	Qty	New/Old	Opt. 1	Opt. 2	Note
001	187419-1	HOUSING SET		1				
	C10 252126-6	HEX. LOCKING NUT M4-7		2				
	D10	INC. 32						
002	266429-2	TAPPING SCREW 3X16		8				
003	897666-3	MT691 NAME PLATE		1				
005	453055-8	F/R CHANGE LEVER		1				
006	632A37-1	SWITCH UNIT		1				
	C10 688165-4	LINE FILTER		1				
007	643869-5	TERMINAL		1				
008	231951-8	RING SPRING 11		1				
009	267085-1	FLAT WASHER 12		1				
010	233005-7	COMPRESSION SPRING 13		1				
011	324420-7	SLEEVE		1				
012	266374-1	TAPPING SCREW 4X25		4				
013	141725-8	HAMMER CASE COMPLETE		1				
014	261151-6	NYLON WASHER 19		1				
015	216001-0	STEEL BALL 3.5		2	*			
015-1	216040-0	STEEL BALL 3.5	O	2				
016	326188-1	ANVIL M		1				
017	326110-8	HAMMER		1				
018	216001-0	STEEL BALL 3.5		24	*			
018-1	216040-0	STEEL BALL 3.5	O	24				
019	267175-0	FLAT WASHER 24		1				
020	233430-2	COMPRESSION SPRING 24		1				
021	267766-7	CUP WASHER 14		1				
022	216011-7	STEEL BALL 5.6		2	*			
022-1	216041-8	STEEL BALL 5.6	O	2				
023	226336-1	SPUR GEAR 22		2	*			
023-1	227362-3	SPUR GEAR 22	<	2				
024	326109-3	SPINDLE		1				
025	256253-1	PIN 5		2				
026	267212-0	FLAT WASHER 12		1				
027	227279-0	INTERNAL GEAR 51		1				
028	210107-6	BALL BEARING 6001ZZ		1				
029	453056-6	INTERNAL GEAR CASE		1				
030	629973-4	DC MOTOR		1				
032	187419-1	HOUSING SET		1				
	C10 252126-6	HEX. LOCKING NUT M4-7		2				
	D10	INC. 1						

Please order the parts with part number.

Print Date 29/9/2020