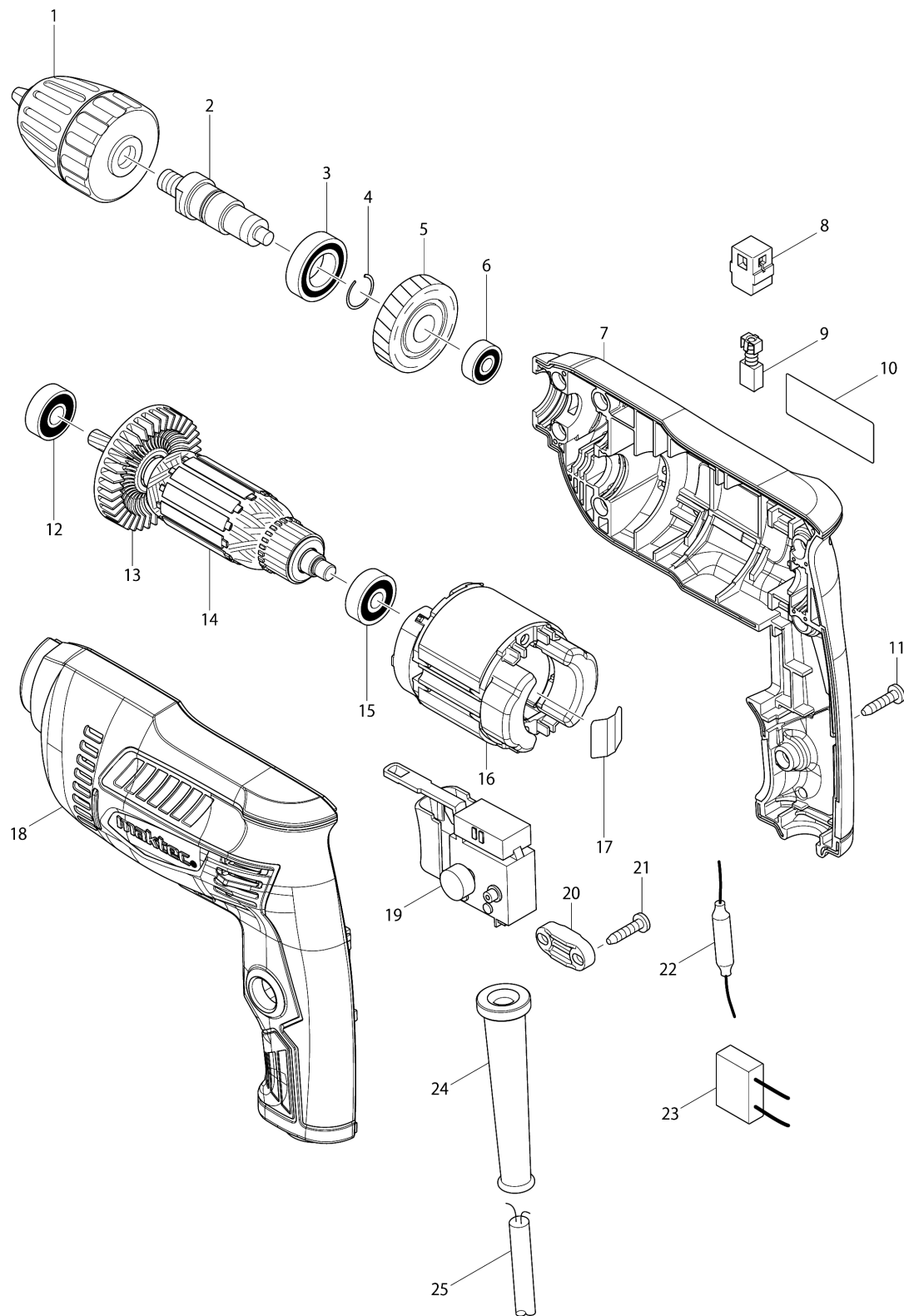


Model No.MT607 10MM DRILL



Model No.MT607 10MM DRILL

| Item | Parts No. | Description | I/C | Qty | New/Old | Opt. 1 | Opt. 2 | Note |
|-------|-----------|-----------------------------|-----|-----|---------|--------|--------|------|
| 001 | 763180-0 | KEYLESS DRILL CHUCK 10 | | 1 | * | | | |
| 001-1 | 766026-9 | KEYLESS DRILL CHUCK 10 | O | 1 | | | | |
| 002 | 324376-4 | SPINDLE | | 1 | | | | |
| 003 | 211242-3 | BALL BEARING 6902ZZ | | 1 | * | | | |
| 003-1 | 210153-9 | BALL BEARING 6902ZZ | O | 1 | | | | |
| 004 | 233925-5 | RING SPRING 13 | | 1 | | | | |
| 005 | 226578-7 | HELICAL GEAR 35 | | 1 | | | | |
| 006 | 210028-2 | BALL BEARING 606ZZ | | 1 | * | | | |
| 006-1 | 210137-7 | BALL BEARING 606ZZ | O | 1 | | | | |
| 007 | 187084-6 | HOUSING SET | | 1 | * | | | |
| D10 | | INC. 18 | | | * | | | |
| 007-1 | 183D42-4 | HOUSING SET | < | 1 | | | | |
| D10 | | INC. 18 | | | | | | |
| 008 | 643563-9 | BRUSH HOLDER 5X8 | | 2 | * | | | |
| 008-1 | 643566-3 | BRUSH HOLDER 5X8 | O | 2 | | | | |
| 009 | 191998-3 | CARBON BRUSH CB-85 | | 1 | | | | |
| 010 | 869865-7 | MT607 NAME PLATE | | 1 | | | | |
| 011 | 266326-2 | TAPPING SCREW 4X18 | | 7 | | | | |
| 012 | 210029-0 | BALL BEARING 608ZZ | | 1 | * | | | |
| 012-1 | 210046-0 | BALL BEARING 608ZZ | O | 1 | | | | |
| 013 | 240066-0 | FAN 52 | | 1 | | | | |
| 014 | 515849-0 | ARMATURE ASS'Y 240V | | 1 | | | | |
| D10 | | INC. 12,13,15 | | | | | | |
| 015 | 210030-5 | BALL BEARING 627ZZ | | 1 | * | | | |
| 015-1 | 210050-9 | BALL BEARING 627ZZ | O | 1 | | | | |
| 016 | 633774-4 | FIELD 240V | | 1 | * | | | |
| 016-1 | 639358-6 | FIELD 240V | O | 1 | | | | |
| 017 | 232210-3 | LEAF SPRING | | 1 | | | | |
| 018 | 187084-6 | HOUSING SET | | 1 | * | | | |
| D10 | | INC. 7 | | | * | | | |
| 018-1 | 183D42-4 | HOUSING SET | < | 1 | | | | |
| D10 | | INC. 7 | | | | | | |
| 019 | 650551-9 | SWITCH FA1-3/2BEZ-4 | | 1 | | | | |
| 020 | 687124-5 | STRAIN RELIEF | | 1 | | | | |
| 021 | 266326-2 | TAPPING SCREW 4X18 | | 2 | | | | |
| 022 | 646147-2 | CHOKE COIL | | 1 | | | | |
| 023 | 645190-8 | NOISE SUPPRESSOR | | 1 | | | | |
| 024 | 682569-2 | CORD GUARD 8-85 | | 1 | | | | |
| 025 | 665383-1 | POWER SUPPLY CORD 1.0-2-2.0 | | 1 | * | | | |
| 025-1 | 695556-2 | POWER SUPPLY CORD 1.0-2-2.0 | O | 1 | * | | | |
| 025-2 | 665383-1 | POWER SUPPLY CORD 1.0-2-2.0 | O | 1 | | | | |

Please order the parts with part number.

Print Date 2/7/2019

