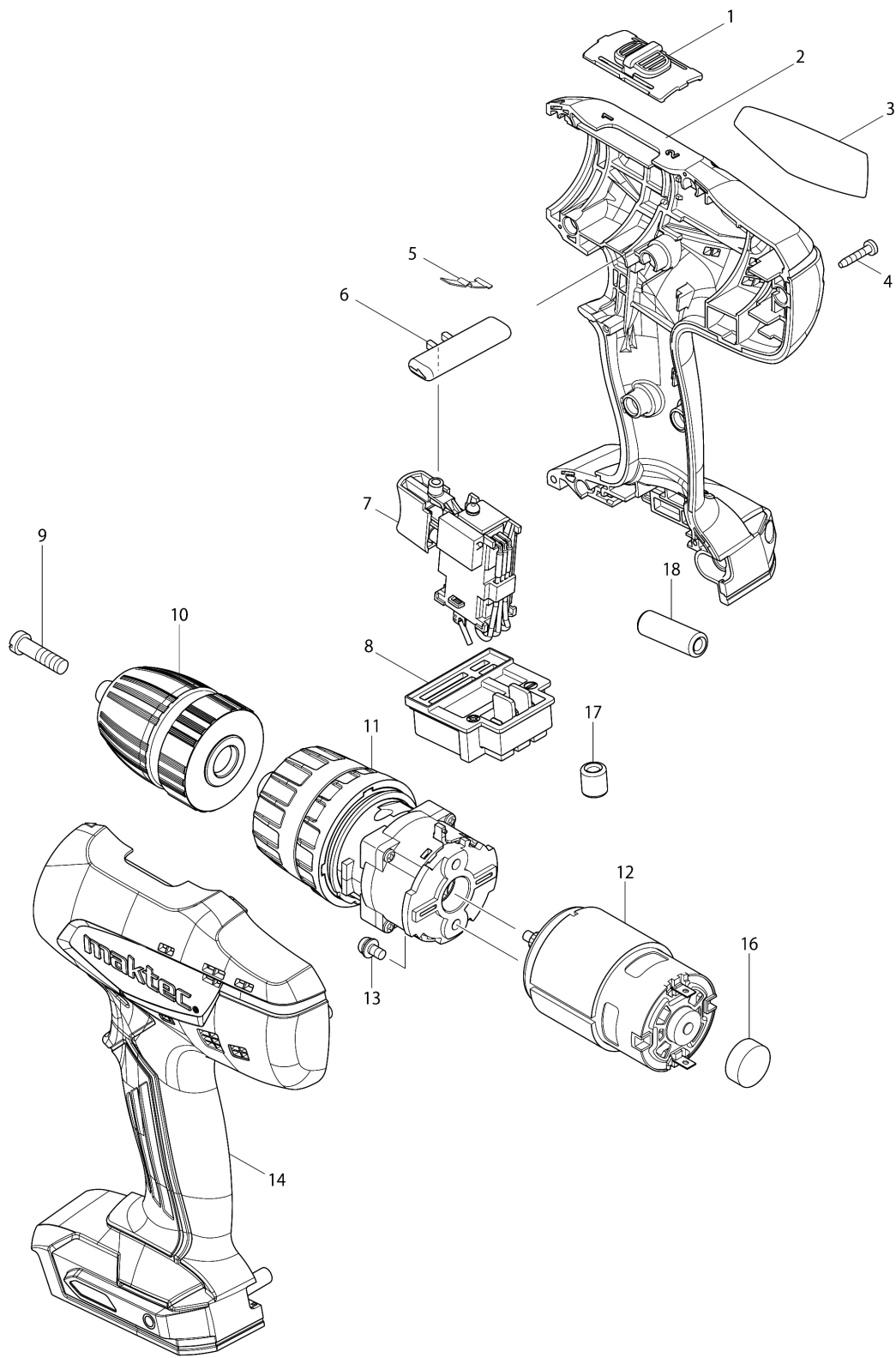


Model No.MT081 CORDLESS HAMMER DRIVER DRILL



Model No.MT081 CORDLESS HAMMER DRIVER DRILL

Item	Parts No.	Description	I/C	Qty	New/Old	Opt. 1	Opt. 2	Note
001	125927-4	SPEED CHANGE LEVER ASS'Y		1				
C10	231433-0	COMPRESSION SPRING 4		2				
002	187032-5	HOUSING SET		1	*			
C10	252126-6	HEX. LOCKING NUT M4-7		2	*			
D10		INC. 14			*			
002-1	187729-6	HOUSING SET	<	1				
C10	252126-6	HEX. LOCKING NUT M4-7		2				
D10		INC. 14						
003	869132-0	MT081 NAME PLATE		1				
004	266429-2	TAPPING SCREW 3X16		9				
005	232182-2	LEAF SPRING		1				
006	452399-3	F/R CHANGE LEVER		1				
007	638861-4	SWITCH UNIT		1				
D10		INC. 17,18						
008	643869-5	TERMINAL		1				
009	251468-5	- FLAT HEAD SCREW M6X22		1				
010	766013-8	KEYLESS DRILL CHUCK 13		1				
011	140800-7	GEAR ASSEMBLY		1				
012	629834-8	DC MOTOR		1				
013	911108-4	PAN HEAD SCREW M4X8		2				
014	187032-5	HOUSING SET		1	*			
C10	252126-6	HEX. LOCKING NUT M4-7		2	*			
D10		INC. 2			*			
014-1	187729-6	HOUSING SET	<	1				
C10	252126-6	HEX. LOCKING NUT M4-7		2				
D10		INC. 2						
016	421940-3	CAP		1				
017	688164-6	LINE FILTER		1				
018	688165-4	LINE FILTER		1				
A01	824965-0	PLASTIC CASE		1				
C10	452143-8	SHAFT		2				
C20	452180-2	SLIDE LATCH		2				
C30	819906-9	MAKTEC LOGO LABEL		1				
A02	892095-5	MT081E PLASTIC CASE LABEL		2				
A04	***DC1851	DC1851 BATTERY CHARGER		1				
A05	452652-7	BATTERY COVER		1				
A06	195421-0	BATTERY L1851 SET		2	*			
A06-1	196369-9	BATTERY L1853 SET	O	2	*			
A06-2	198186-3	BATTERY BL1815G SET	O	2				

Please order the parts with part number.

Print Date 2/7/2019

