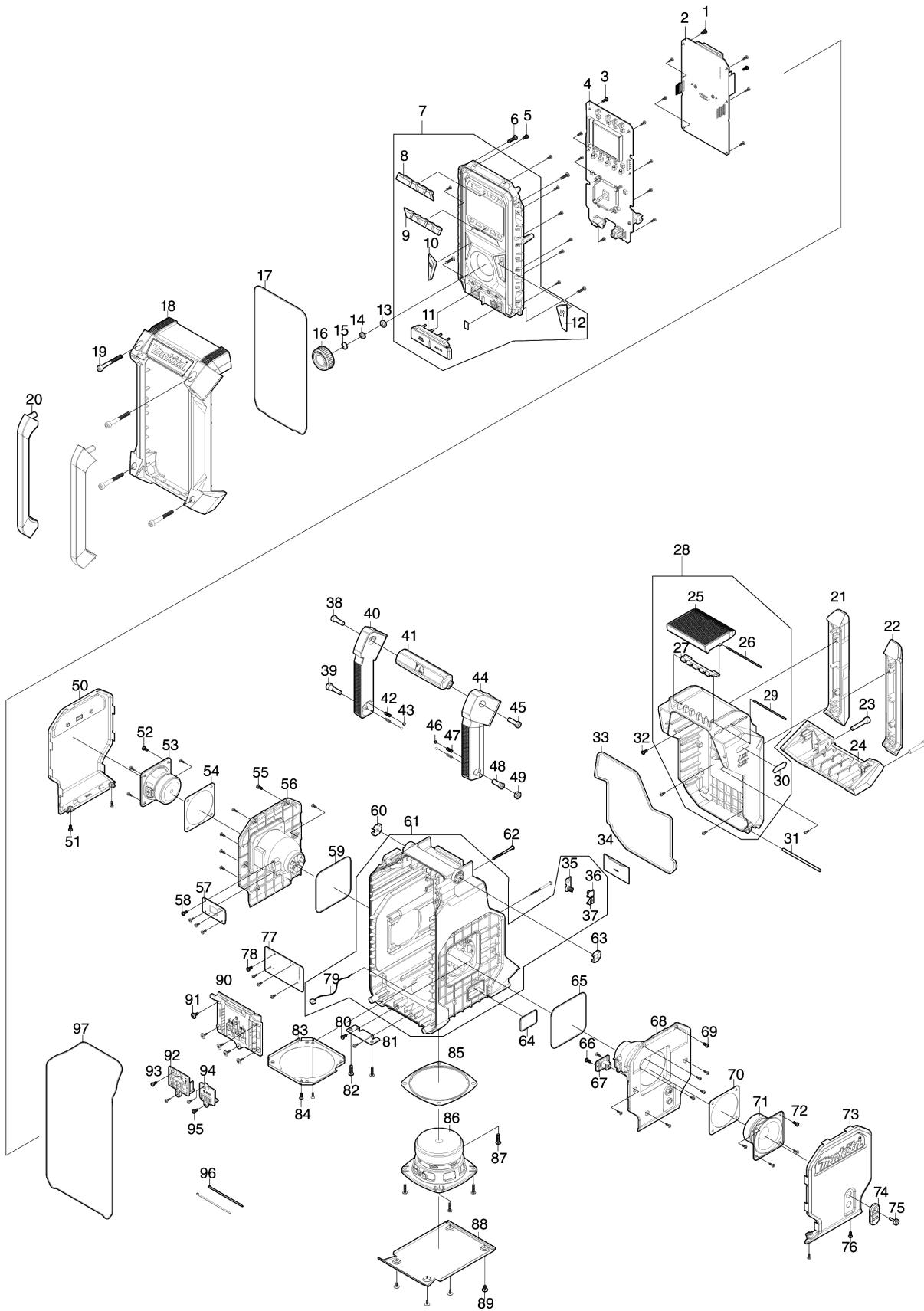


Model No.MR006G JOB SITE RADIO



Model No.MR006G JOB SITE RADIO

Item	Parts No.	Description	I/C	Qty	New/Old	Opt. 1	Opt. 2	Note
001	SE00000521	SCREW PTB 3X8(ZK) 29S16308001		6				
002	SE00001032	PCB A+M ASS'Y		1				
003	SE00000521	SCREW PTB 3X8(ZK) 29S16308001		8				
004	SE00001034	PCB C ASS'Y		1				
005	SE00000521	SCREW PTB 3X8(ZK) 29S16308001		8				
006	SE09064161	SCREW M4X16		4				
007	SE00001038	FRONT CABINET ASS'Y		1				
D10		INC. 8-12						
008	SE00000968	POWER KEY		1				
009	SE00000969	PRESET KEY		1				
010	SE00000970	INFO KEY		1				
011	SE00001039	JACK RUBBER COVER		1				
012	SE00000973	EQ KEY		1				
013	SE00000754	EN/SW WASHER		1				
014	SE00000755	EN/SW NUT		1				
015	SE21B1110A	ROTARY KNOB RING		1				
016	SE00000698	ROTARY KNOB		1				
017	SE00000975	FRONT CABINET PACKING		1				
018	SE00000977	FRONT BUMPER		1				
019	SE00000160	SCREW PTHE6X47(CR)		4				
020	SE00000980	FRONT BAR		2				
021	SE00000981	BATTERY BUMPER L		1				
022	SE00000982	BATTERY BUMPER R		1				
023	SE00000709	SCREW PTHE 6X33(CR)		2				
024	SE00000983	REAR BUMPER		1				
025	SE00000984	LOCKER COVER		1				
026	SE00000985	PIN D2X89		1				
027	SE00000536	LOCKER HINGE 3300B30000010		1				
028	SE00000987	BATTERY COVER ASS'Y		1				
D10		INC. 25-27,29,30						
029	SE00000539	PIN D2X77 2100B300200		1				
030	SE00000872	XGT PLATE		1				
031	SE00000990	BATTERY COVER FIXER PIN		1				
032	SE00000521	SCREW PTB 3X8(ZK) 29S16308001		4				
033	SE00000991	BATTERY COVER PACKING		1				
034	SE0307PC5Z	BACK UP BATTERY COVER		1				
035	SE021E9030	+/- BATTERY CONTACT ASS'Y		1				
036	SE00000467	BATTERY CONTACT (-)2100PL00200		1				
037	SE00000466	BATTERY CONTACT(+) 2100RA00700		1				

Model No.MR006G JOB SITE RADIO

Item	Parts No.	Description	I/C	Qty	New/Old	Opt. 1	Opt. 2	Note
038	SE00000176	SCREW PTHE6X20(CR)		1				
039	SE00000715	SCREW PTHE 6X17(CR)		1				
040	SE00000993	HANDLE L		1				
041	SE00000994	HANDLE BAR		1				
042	SE00000184	SPRING		2				
043	SE09994007	STEEL BALL		2				
044	SE00000996	HANDLE R ASS'Y		1				
045	SE00000176	SCREW PTHE6X20(CR)		1				
046	SE09994007	STEEL BALL		2				
047	SE00000184	SPRING		2				
048	SE00000716	SCREW PTHE 7X16(CR)		1				
049	SE00000717	SCREW PTHE 10.8X4.5(CR)		1				
050	SE00000997	SPEAKER GRILL L ASS'Y		1				
051	SE00000521	SCREW PTB 3X8(ZK) 29S16308001		2				
052	SE00000521	SCREW PTB 3X8(ZK) 29S16308001		4				
053	SE00000728	SPEAKER ASS'Y 2.5"		1				
054	SE00000729	SPEAKER 2.5" PACKING		1				
055	SE00000521	SCREW PTB 3X8(ZK) 29S16308001		6				
056	SE00000998	SPEAKER HOLDER L		1				
057	SE00000999	PCB J ASS'Y		1				
058	SE00000521	SCREW PTB 3X8(ZK) 29S16308001		4				
059	SE00001000	SPEAKER HOLDER PACKING		1				
060	SE00000718	HANDLE SUS-PLATE L		1				
061	SE00001001	REAR CABINET ASS'Y		1				
D10		INC. 35-37,79						
062	SE00000445	SCREW PTB 3X45(NI)		2				
063	SE00000722	HANDLE SUS-PLATE R		1				
064	SE00001004	DC JACK PACKING		1				
065	SE00001000	SPEAKER HOLDER PACKING		1				
066	SE00000521	SCREW PTB 3X8(ZK) 29S16308001		2				
067	SE00001005	PCB F ASS'Y		1				
068	SE00001006	SPEAKER HOLDER R		1				
069	SE00000521	SCREW PTB 3X8(ZK) 29S16308001		7				
070	SE00000729	SPEAKER 2.5" PACKING		1				
071	SE00000728	SPEAKER ASS'Y 2.5"		1				
072	SE00000521	SCREW PTB 3X8(ZK) 29S16308001		4				
073	SE00001007	SPEAKER GRILL R ASS'Y		1				
074	SE00000726	DC JACK COVER		1				
075	SE00000404	SCREW PTHE 3X14(CR)		1				

Model No.MR006G JOB SITE RADIO

Item	Parts No.	Description	I/C	Qty	New/Old	Opt. 1	Opt. 2	Note
076	SE00000521	SCREW PTB 3X8(ZK) 29S16308001		2				
077	SE00001008	PCB D ASS'Y		1				
078	SE00000521	SCREW PTB 3X8(ZK) 29S16308001		4				
079	SE00001009	CNT/W-A 220(2+2P)R/B		1				
080	SE00000521	SCREW PTB 3X8(ZK) 29S16308001		2				
081	SE00000735	REAR PLATE		1				
082	SE09064161	SCREW M4X16		2				
083	SE00000734	SPEAKER PLATE		1				
084	SE00000736	SCREW JMF 3X10 ZK		2				
085	SE00000738	SPEAKER 4" PACKING		1				
086	SE00001010	SPEAKER ASS'Y 4"		1				
087	SE09064161	SCREW M4X16		4				
088	SE00001011	SPEAKER GRILL B		1				
089	SE00000741	SCREW PTT 3X8(ZK)		4				
090	SE00000894	XGT TERMINAL(36V) ASS'Y		1				
091	SE00000193	SCREW 3X10		5				
092	SE00001013	LXT TERMINAL ASS'Y		1				
093	SE00000521	SCREW PTB 3X8(ZK) 29S16308001		2				
094	SE00001014	CXT TERMINAL ASS'Y		1				
095	SE00000521	SCREW PTB 3X8(ZK) 29S16308001		2				
096	SE00000195	W/TIES 100MM		2				
097	SE00001015	REAR CABINET PACKING		1				
A01	SE00000679	AC ADAPTER (CE)		1				

Please order the parts with part number.

Print Date 20/7/2021