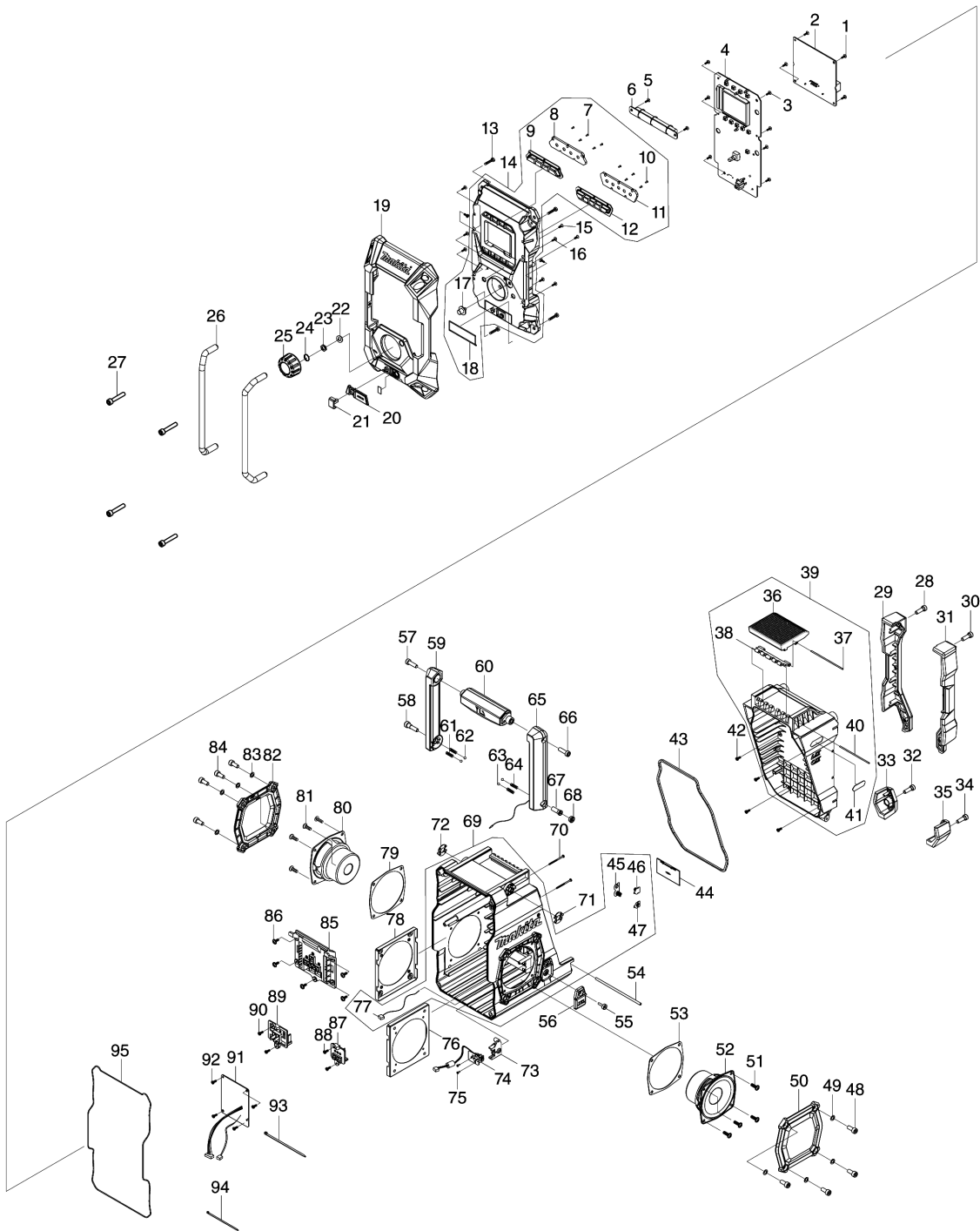


Model No.MR001G JOB SITE RADIO



Model No.MR001G JOB SITE RADIO

Item	Parts No.	Description	I/C	Qty	New/Old	Opt. 1	Opt. 2	Note
001	SE00000521	SCREW PTB 3X8(ZK) 29S16308001		4				
002	SE00000844	PCB A ASS'Y		1				
003	SE00000521	SCREW PTB 3X8(ZK) 29S16308001		7				
004	SE00000847	PCB C ASS'Y		1				
005	SE00000521	SCREW PTB 3X8(ZK) 29S16308001		2				
006	SE00000848	PCB P ASS'Y (BAR ANT)		1				
007	SE09090011	SCREW 1.7		5				
008	SE00000849	POWER KEY HOLDER(BLK)		1				
009	SE00000850	POWER KEY		1				
010	SE09090011	SCREW 1.7		5				
011	SE00000851	PRESET KEY HOLDER(BLK)		1				
012	SE00000852	PRESET KEY		1				
013	SE09064161	SCREW M4X16		4				
014	SE00000853	FRONT CABINET ASS'Y		1				
D10		INC. 7-12,17,18						
015	SE00000854	SCREW PTF 3X6(ZK)		2				
016	SE00000521	SCREW PTB 3X8(ZK) 29S16308001		9				
017	SE00000855	RUBBER KEY		1				
018	SE00000856	FRONT PACKING		1				
019	SE00000857	FRONT BUMPER		1				
020	SE00000859	JACK RUBBER COVER		1				
021	SE00000860	JACK COVER		1				
022	SE00000754	EN/SW WASHER		1				
023	SE00000755	EN/SW NUT		1				
024	SE21B1110A	ROTARY KNOB RING		1				
025	SE00000861	ROTARY KNOB(BLK)		1				
026	SE00000862	FRONT BAR		2				
027	SE00000709	SCREW PTHE 6X33(CR)		4				
028	SE09176166	HEX SCREW M6X16		1				
029	SE00000863	BATTERY BUMPER-L		1				
030	SE09176166	HEX SCREW M6X16		1				
031	SE00000864	BATTERY BUMPER-R		1				
032	SE09176166	HEX SCREW M6X16		1				
033	SE00000865	REAR BUMPER-L		1				
034	SE09176166	HEX SCREW M6X16		1				
035	SE00000866	REAR BUMPER-R		1				
036	SE00000867	LOCKER COVER		1				
037	SE00000868	PIN D2X84		1				
038	SE00000536	LOCKER HINGE 3300B30000010		1				
039	SE00000870	BATTERY COVER (BLUE)		1				

Model No.MR001G JOB SITE RADIO

Item	Parts No.	Description	I/C	Qty	New/Old	Opt. 1	Opt. 2	Note
D10		INC. 36-38,40,41						
040	SE00000539	PIN D2X77 2100B300200		1				
041	SE00000872	XGT PLATE		1				
042	SE00000521	SCREW PTB 3X8(ZK) 29S16308001		4				
043	SE00000873	BATTERY COVER PACKING		1				
044	SE0307PC5Z	BACK UP BATTERY COVER		1				
045	SE021E9030	+/- BATTERY CONTACT ASS'Y		1				
046	SE00000467	BATTERY CONTACT (-)2100PL00200		1				
047	SE00000466	BATTERY CONTACT(+) 2100RA00700		1				
048	SE9076146A	HEX SCREW M6X14		4				
049	SE024J9070	PACKING		4				
050	SE00000874	SPEAKER PANEL ASS'Y		1				
051	SE09090023	SCREW M4X12		4				
052	SE00000875	RIGHT SPEAKER ASS'Y		1				
053	SE00000876	SPEAKER PACKING		1				
054	SE00000877	BATTERY COVER FIXER PIN		1				
055	SE00000404	SCREW PTHE 3X14(CR)		1				
056	SE00000878	DC JACK COVER		1				
057	SE00000176	SCREW PTHE6X20(CR)		1				
058	SE00000715	SCREW PTHE 6X17(CR)		1				
059	SE00000879	HANDLE L		1				
060	SE00000881	HANDLE BAR		1				
061	SE00000184	SPRING		2				
062	SE09994007	STEEL BALL		2				
063	SE09994007	STEEL BALL		2				
064	SE00000184	SPRING		2				
065	SE00000883	HANDLE R ANT(B)		1				
066	SE00000176	SCREW PTHE6X20(CR)		1				
067	SE00000716	SCREW PTHE 7X16(CR)		1				
068	SE00000717	SCREW PTHE 10.8X4.5(CR)		1				
069	SE00000886	REAR CABINET (BLUE) MR001G		1				
D10		INC. 45-47,77						
070	SE00000445	SCREW PTB 3X45(NI)		2				
071	SE00000888	HANDLE SUS-PLATE(R)		1				
072	SE00000889	HANDLE SUS-PLATE(L)		1				
073	SE00000890	DC JACK HOLDER		1				
074	SE00000891	PCB F ASS'Y (DC JACK)		1				
075	SE09090011	SCREW 1.7		2				
076	SE00000892	SPEAKER HOLDER		1				
077	SE00000587	LEAD WIRE W/CONNECTOR 170MM		1				

Please order the parts with part number.

Print Date 10/12/2021

Model No.MR001G JOB SITE RADIO

Item	Parts No.	Description	I/C	Qty	New/Old	Opt. 1	Opt. 2	Note
078	SE00000892	SPEAKER HOLDER		1				
079	SE00000876	SPEAKER PACKING		1				
080	SE00000893	LEFT SPEAKER ASS'Y		1				
081	SE09090023	SCREW M4X12		4				
082	SE00000874	SPEAKER PANEL ASS'Y		1				
083	SE024J9070	PACKING		4				
084	SE9076146A	HEX SCREW M6X14		4				
085	SE00000894	XGT TERMINAL(36V) ASS'Y		1				
086	SE00000193	SCREW 3X10		5				
087	SE00000895	CXT TERMINAL 10.8v-A-3PIN ASS'		1				
088	SE00000521	SCREW PTB 3X8(ZK) 29S16308001		2				
089	SE00000896	LXT TERMINAL(18V) ASS'Y		1				
090	SE00000521	SCREW PTB 3X8(ZK) 29S16308001		2				
091	SE00000897	PCB D+M ASS'Y (BATT._DET)		1				
092	SE00000521	SCREW PTB 3X8(ZK) 29S16308001		4				
093	SE00000898	W/TIES 150mm		1				
094	SE00000195	W/TIES 100MM		1				
095	SE00000899	REAR CABINET PACKING		1				
A01	SE00000078	AC ADAPTER 3A8D127102B11		1				

Please order the parts with part number.

Print Date 10/12/2021