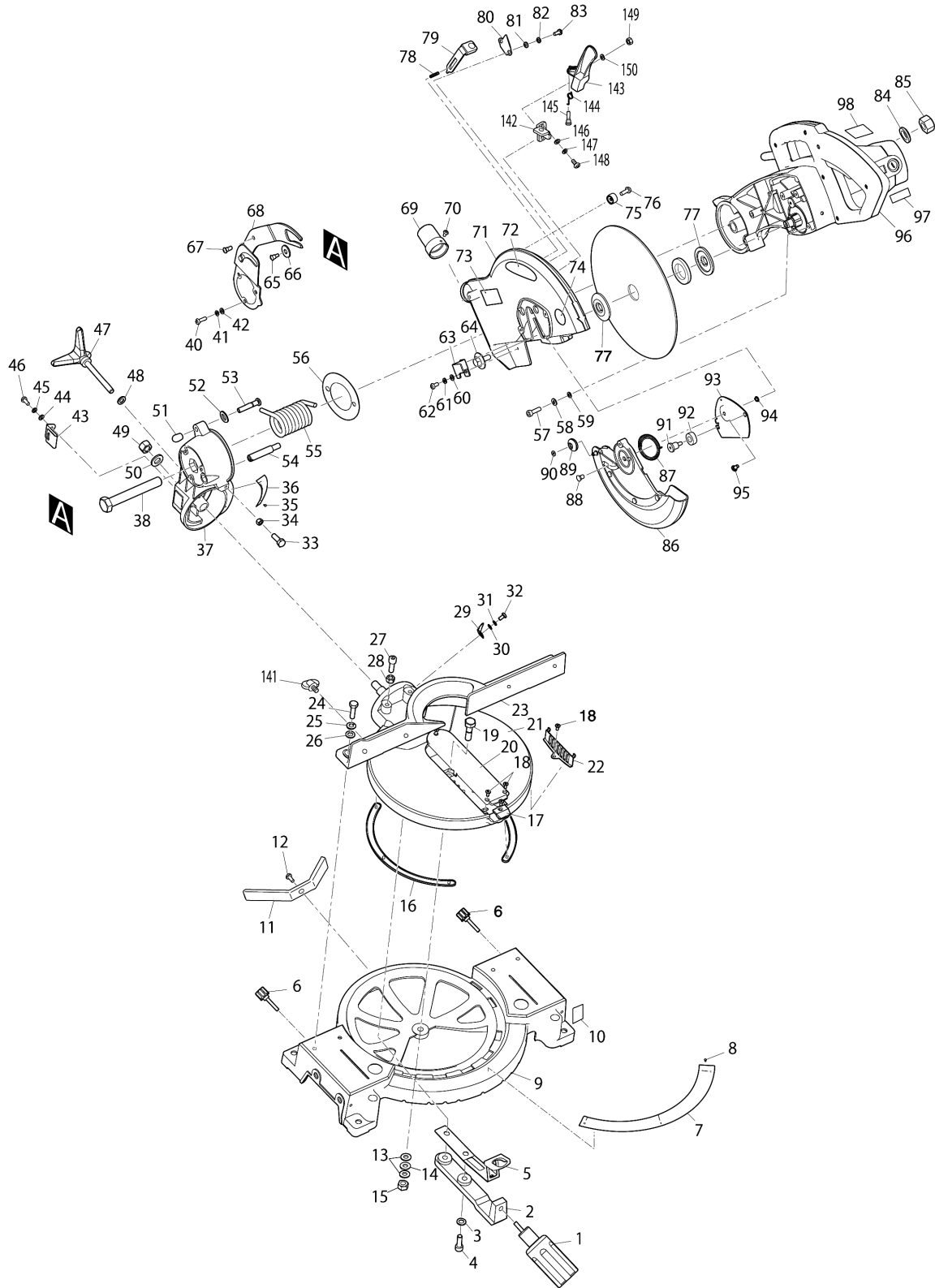
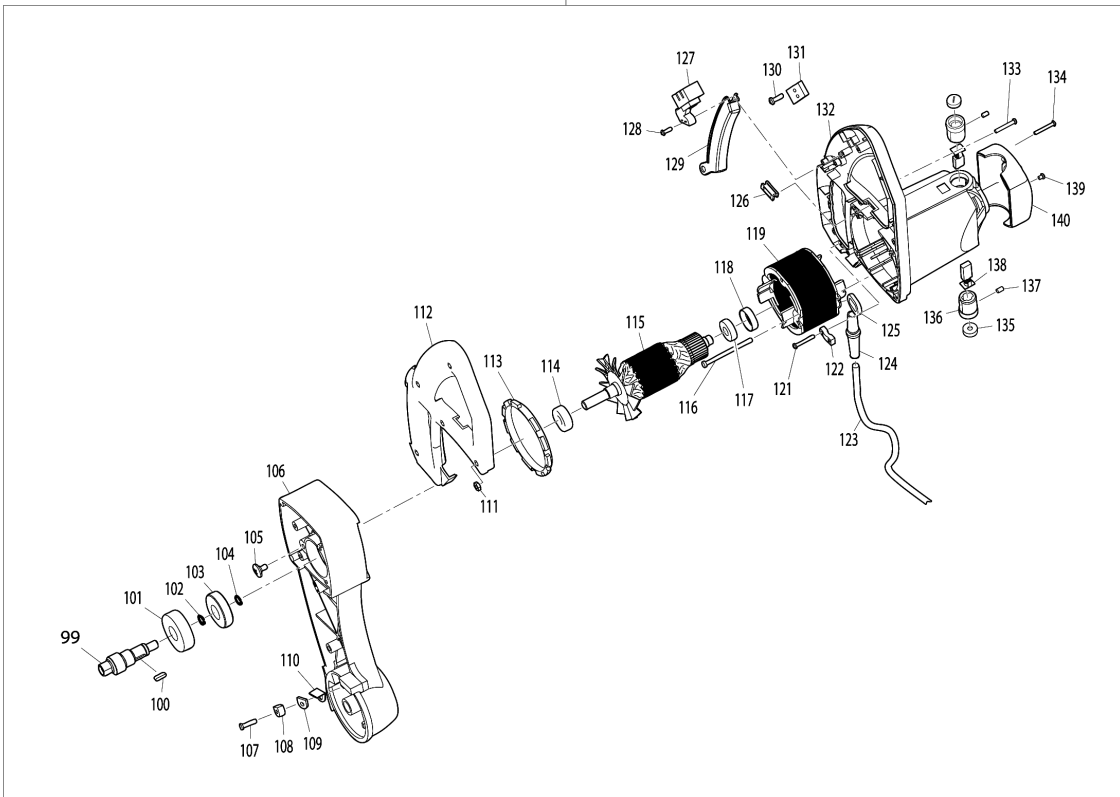


Model No.MLS100 MITER SAW



Model No.MLS100 MITER SAW

96



Model No.MLS100 MITER SAW

Item	Parts No.	Description	I/C	Qty	New/Old	Opt. 1	Opt. 2	Note
001	JM23000001	GRIP		1				
002	JM23000002	HANDLE BRACKET		1				
003	JM23000003	SPRING WASHER8		2				
004	JM23000004	HEX. SOCKET HEAD BOLT M8 X 20		2				
005	JM23000005	KNOCK SPRING		1	*			
005-1	JM23000200	KNOCK SPRING SET	<	1				
D10		INC. 152,153						
006	JM23000006	LOCK KNOB FOR EXT.WINGS		2				
007	JM23000007	MITER ANGLE LABEL		1				
008	JM23000008	RIVET		2				
009	JM23000009	BASE COMP		1				
D10		INC. 7,8,10						
010	810965-6	CAUTION LABEL		1				
011	JM23000011	BASE SUPPORTER		1				
012	JM23000012	SCREW		1				
013	JM23000013	FLAT WASHER10		2				
014	JM23000014	SADDLE SHAPE WASHER		1				
015	JM23000015	ANTI-LOOSE NUTM10		1				
016	JM23000016	SLIDE PLATE		2				
017	JM23000017	MITER ANGLE POINTER		1				
018	JM23000018	COUNTERSUNK HEAD SCREW M4X10		5				
019	JM23000019	PIVOT		1				
020	JM23000141	KERF BOARD		1				
021	JM23000021	TURN BASE COMP.		1				
022	JM23000022	PROTECTION NET		1				
023	JM23000023	GUIDE RULE		1	*			
023-1	JM23000204	GUIDE RULE	S	1				
024	JM23000024	HEX.BOLT M8X30		4				
025	JM23000003	SPRING WASHER8		4				
026	JM23000026	FLAT WASHER8		4				
027	JM23000027	HEX. BOLT M8 X 20		2				
028	JM23000028	HEX. NUT M8		2				
029	JM23000029	BEVEL POINTER		1				
030	JM23000030	FLAT WASHER5		1				
031	JM23000031	SPRING WASHER5		1				
032	JM23000032	PAN HEAD SCREW M5 X 10		1				
033	JM23000033	HEX. BOLT M8X16		1				
034	JM23000028	HEX. NUT M8		1				
035	JM23000034	RIVET		2				
036	JM23000035	SCALE LABEL		1				
037	JM23000036	ARM COMPLETE		1				

Model No.MLS100 MITER SAW

Item	Parts No.	Description	I/C	Qty	New/Old	Opt. 1	Opt. 2	Note
D10		INC. 35,36						
038	JM23000037	SHAFT		1				
039	JM23000038	LINK SUPPORT PLATE		1	*			
040	JM23000039	PAN HEAD SCREW M6 X 16		3				
041	JM23000040	SPRING WASHER6		3				
042	JM23000041	FLAT WASHER6		3				
043	JM23000042	CLIP		1				
044	JM23000030	FLAT WASHER5		1				
045	JM23000031	SPRING WASHER5		1				
046	JM23000032	PAN HEAD SCREW M5 X 10		1				
047	JM23000143	KNOB		1				
048	JM23000013	FLAT WASHER10		1				
049	JM23000044	ANTI-LOOSE NUTM12		1				
050	JM23000045	FLAT WASHER12		1				
051	JM23000046	LOCK PIN CAP		1				
052	JM23000047	O RING		1				
053	JM23000048	PIN		1				
054	JM23000049	LIMIT PIN		1				
055	JM23000050	TORSIONAL SPRING		1				
056	JM23000051	RING		1				
057	JM23000052	HEX. SOCKET HEAD BOLT M6 X 20		4				
058	JM23000040	SPRING WASHER6		4				
059	JM23000041	FLAT WASHER6		4				
060	JM23000030	FLAT WASHER5		2				
061	JM23000031	SPRING WASHER5		2				
062	JM23000032	PAN HEAD SCREW M5 X 10		2				
063	JM23000053	PLATE		1				
064	JM23000054	BLADE LOCK BOLT		1				
065	JM23000055	STEPPED BOLT M5		1				
066	JM23000056	BUSH		1				
067	JM23000057	STEPPED BOLT M6		1				
068	JM23000058	LINK COMP.		1				
069	JM23000059	DUST NOZZLE		1	*			
069-1	JM23000178	DUST NOZZLE	<	1				
070	JM23000060	PAN HEAD SCREW M4		1	*			
070-1	JM23000060	PAN HEAD SCREW M4	O	2				
071	JM23000146	BLADE CASE COMP.		1	*			
D10		INC. 72-74			*			
071-1	JM23000180	BLADE CASE COMP.	O	1				
D10		INC. 72-74						
072	JM23080002	MAKITA LABEL		1				
073	817667-5	CAUTION LABEL		1				

Please order the parts with part number.

Print Date 31/3/2020

Model No.MLS100 MITER SAW

Item	Parts No.	Description	I/C	Qty	New/Old	Opt. 1	Opt. 2	Note
074	810968-0	CAUTION LABEL		1				
075	JM23000063	LIMIT RING		1				
076	JM23000064	SCREW		1	*			
077	JM23000065	FLANGE		2				
078	JM23000066	LOCK SPRING		1				
079	JM23000067	SHAFT LOCK		1				
080	JM23000068	COVER		1				
081	JM23000030	FLAT WASHER5		2				
082	JM23000031	SPRING WASHER5		2				
083	JM23000069	PAN HEAD SCREW M5 X 12		2				
084	JM23000070	FLAT WASHER16		1				
085	JM23000071	ANTI-LOOSE NUT16		1				
086	JM23000072	SAFETY COVER COMP.		1				
087	JM23000073	TORSION SPRING		1				
088	JM23000074	SQUARE NECK BOLTM6X10		1				
089	JM23000075	WHEEL		1				
090	JM23000076	E RING		1				
091	JM23000077	STEPPED BOLT M6		1				
092	JM23000078	RUBBER SLEEVE		1				
093	JM23000079	FIX PLATE		1				
094	JM23000080	ANTI-LOOSE NUTM6		1				
095	JM23000081	STEPPED BOLT M5		1				
097	810964-8	CAUTION LABEL		1				
098	JM23080055	NAME PLATE		1				
099	JM23000084	SPINDLE		1				
100	JM23000085	KEY5X10		1				
101	JM23000086	BALL BEARING 6304-RZ		1				
102	JM23000087	SPACE RING 20		1				
103	JM23000088	HELICAL GEAR		1				
104	JM23000089	SPACE RING 16		1				
105	JM23000090	PAN HEAD SCREW M6		1				
106	JM23000091	GEAR HOUSING COMP.		1				
107	JM23000092	PAN HEAD SCREW M5 X 20		1				
108	JM23000093	LIMIT PLATE		1				
109	JM23000094	LIMIT PAD		1				
110	JM23000095	ADJUST PAD		1				
111	JM23000096	HEX.NUTM4		6				
112	JM23000195	HANDLE COVER		1	*			
112-1	JM23000149	HANDLE COVER	S	1				
113	JM23000098	FAN GUIDE		1				
114	JM23000099	BALL BEARING 6201Z		1				
115	JM23000100	ARMATURE ASS'Y (230V)		1				

Model No.MLS100 MITER SAW

Item	Parts No.	Description	I/C	Qty	New/Old	Opt. 1	Opt. 2	Note
D10		INC. 114,117						
116	JM23000101	SELF TAPING SCREWST4.8X70		2				
117	JM23000102	BALL BEARING 6001Z		1				
118	JM23000103	RUBBER RING		1				
119	JM23000104	FIELD ASS'Y (230V)		1				
D10		INC. 120						
120	JM23000105	NOISE SUPPRESSOR		2	*			
120-1	JM23000105	NOISE SUPPRESSOR	O	1				
121	JM23000106	SELF TAPING SCREWST4.2X12		2				
122	JM23000107	STRAIN RELIEF		1				
123	JM23000156	POWER SUPPLY CORD		1				
124	JM23000109	CORD GUARD		1				
125	JM23000110	NOISE SUPPRESSOR		1				
126	JM23000111	CLAMP		1				
127	JM23000112	SWITCHCB21-B		1				
128	JM23000113	SELF TAPING SCREWST 3X8		2				
129	JM23000114	SWITCH LEVER		1				
130	JM23000115	SELF TAPING SCREWST4.2X12		2				
131	JM23000116	TERMINAL BASE		1				
132	JM23000194	MOTOR HOUSING COMP.		1	*			
D10		INC. 97,136,137			*			
132-1	JM23000151	MOTOR HOUSING COMP.	S	1				
D10		INC. 97,136,137						
133	JM23000118	PAN HEAD SCREW M4X30		6				
134	JM23000119	SELFTAPPING SCREW		1				
135	JM23000120	BRUSH HOLDER CAP		2				
136	JM23000121	BRUSH HOLDER		2				
137	JM23000122	HEX. SOCKET HEAD BOLT M5 X 8		2				
138	JM23000123	CARBON BRUSH		1				
139	JM23000124	SELF TAPING SCREWST5.2X12		2				
140	JM23000125	MOTOR REAR COVER		1				
141	JM23000126	WING BOLT		1				
142	JM23000132	BRACKET		1				
143	JM23000133	LOCK LEVER		1				
144	JM23000134	SPRING		1				
145	JM23000135	SCREW M5		1				
146	JM23000136	FLAT WASHER4		2				
147	JM23000137	SPRING WASHER4		2				
148	JM23000138	PAN HEAD SCREW M4 X 8		2				
149	JM23000139	ANTI-LOOSE NUTM5		1				

Model No.MLS100 MITER SAW

Item	Parts No.	Description	I/C	Qty	New/Old	Opt. 1	Opt. 2	Note
150	JM23000030	FLAT WASHER5		1				
151	JM23000183	CAPACITOR		1				
152	JM23000185	KNOCK SPRING CAP		1				
153	JM23000005	KNOCK SPRING		1				
A01	JM23000127	HOLDER SET		2				
A02	JM23000128	SET PLATE		2				
A03	JM23000129	WING BOLT		1				
A04	JM23000130	WRENCH		1				
A05	JM23000131	WISE ASS'Y		1				
A06	122523-9	DUST BAG ASS'Y		1	*			
A06-1	122852-0	DUST BAG ASS'Y	O	1				
A07	762001-3	TRIANGULAR RULE		1				
E01	JM23010001	SUB FENCE COMPLETE	S	1				
E02	JM23000201	COUNTERSUNK HEAD SCREW M6X25	S	1				
E03	JM23100110	LOCKNUT M6	S	1				
E04	JM23000202	FIX PLATE	S	1				
E05	JM23100033	CROSS HEAD SCREW M4X12	S	1				
E06	JM23000137	SPRING WASHER4	S	1				
E07	JM23100071	THIN FLAT WASHER 6	S	1				

Please order the parts with part number.

Print Date 31/3/2020