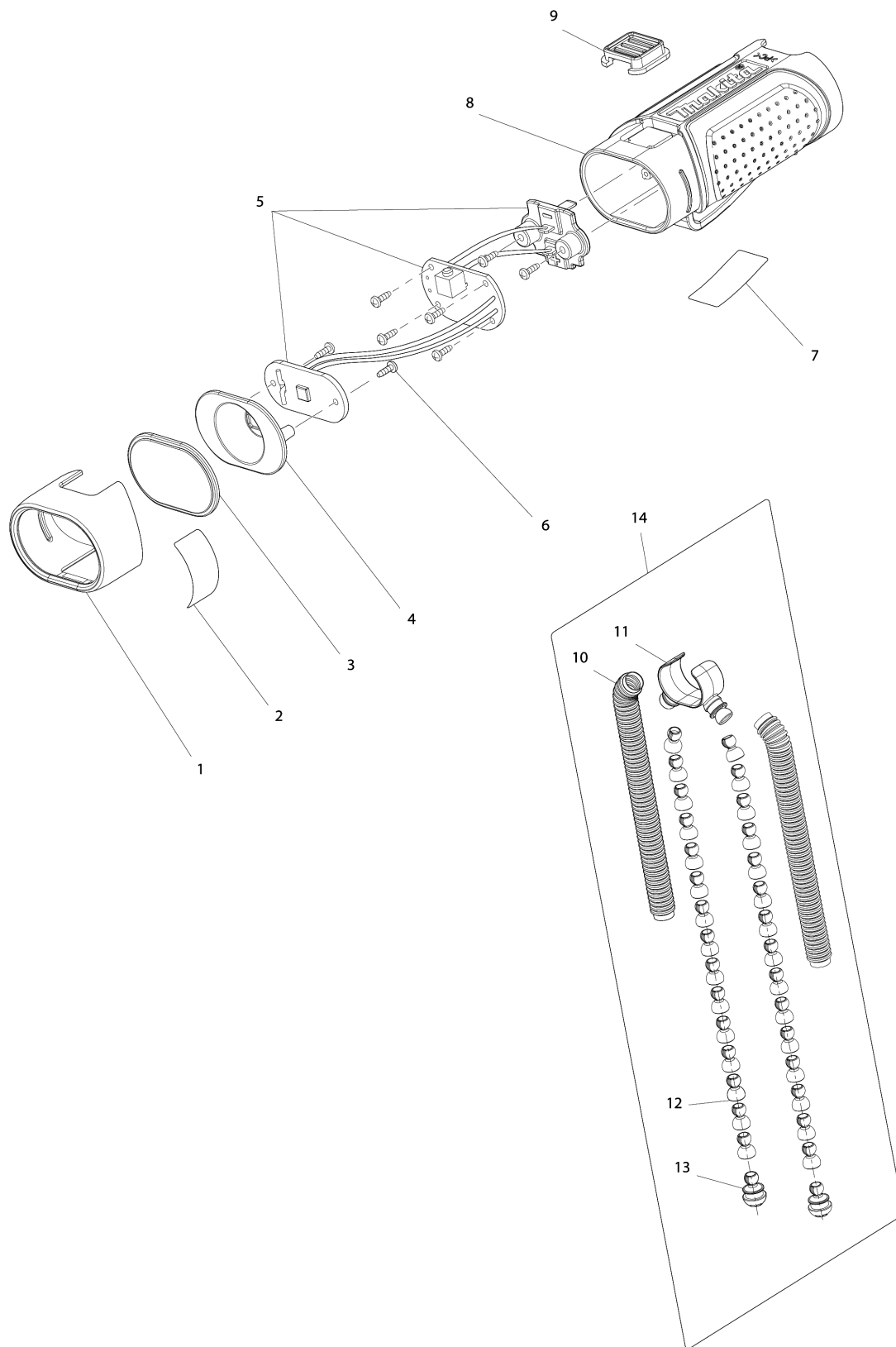


Model No.ML705 RECHARGEABLE GRAB LIGHT



Model No.ML705 RECHARGEABLE GRAB LIGHT

Item	Parts No.	Description	I/C	Qty	New/Old	Opt. 1	Opt. 2	Note
001	GM00001133	HEAD COVER C1705714002		1				
002	GM00001156	LASER LABEL D0271400300		1				
003	GM00001132	LENS C1700714004		1				
004	GM00001131	REFLECTOR C1700714003		1				
005	GM00001130	CIRCUIT BOARD ASSY G0371400100		1	*			
005-1	GM00001195	CIRCUIT BOARD ASSY G0371400101	O	1	*			
005-2	GM00001242	CIRCUIT BOARD ASSY G0371400300	O	1				
006	GM00001129	TAPPING SCREW 2X6 BB		8				
007	GM00001137	NAME PLATE DEAML705 D027140060		1				
008	GM00001128	MAIN HOUSING ASSY G0671400101		1				
009	GM00001127	SWITCH COVER C9800714008		1				
010	GM00001125	SLEEVE A3230200001		2				
011	GM00001123	JOINT BASE ASSY G0671400102		1				
012	GM00001122	JOINT C0110714010		30				
013	GM00001121	JOINT END CAP C0110714011		2				
014	GM00001126	LEG ASSY G0671400100		1				
D10		INC. 10-13						

Please order the parts with part number.

Print Date 3/6/2019

