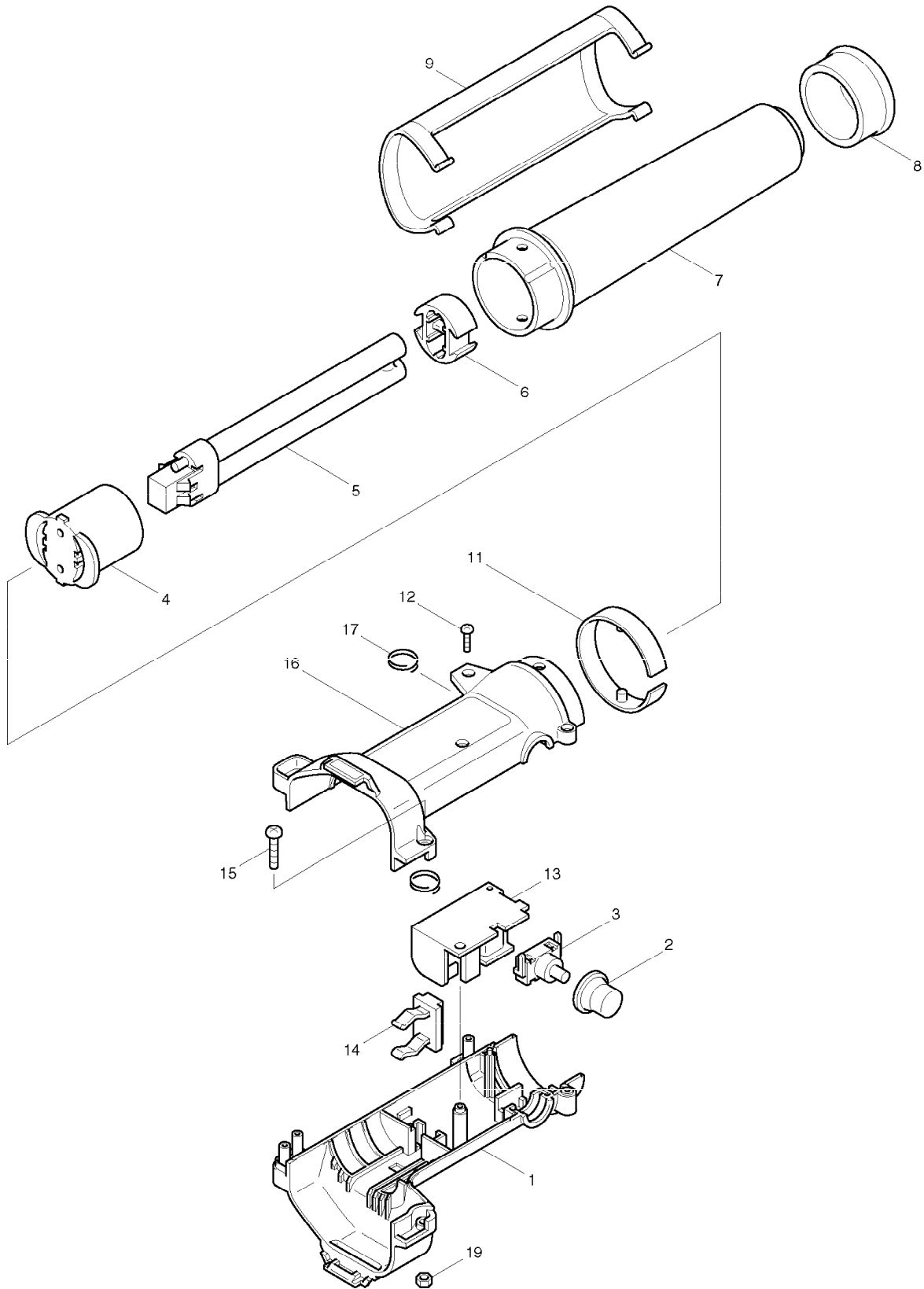


SERVICE DRAWING

MODEL NO. ML122



SPARE PARTS LIST

MODEL NO. ML122

ITEM	PART NO.	DESCRIPTION	QTY	NOTE
001	SM00000010	HOUSING L/R SET	1	
002	SM00000020	SWITCH COVER	1	
003	SM00000030	SWITCH	1	
004	SM00000040	HOLDER ML122-P03	1	
005	A-87367	FLUORESCENT TUBE	1	
006	SM00000060	ABSORBER ML122-P07	1	
007	SM00000070	LAMP COVER ML122-P04	1	
008	SM00000080	LAMP COVER PROTECTOR	1	
009	SM00000220	REFLECTOR SET	1	
011	SM00000110	C RING ML-P08	1	
012	*****	*****	***	*****
013	SM00000130	CIRCUIT BOARD	1	
014	SM00000140	BATTERY HOLDER ML122-P06	1	
015	*****	*****	***	*****
016	SM00000010	HOUSING L/R SET	1	
017	SM00000190	RING	2	
019	*****	*****	***	*****
A01	SM00000170	SET PLATE ML122-M04	1	
A02	*****	*****	***	*****