

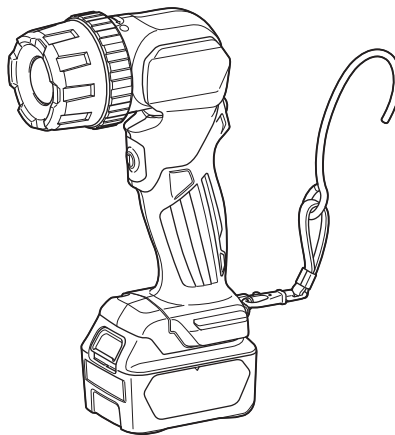


EN

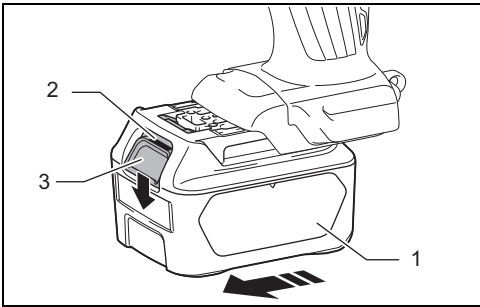
Cordless LED Flashlight

Instruction manual

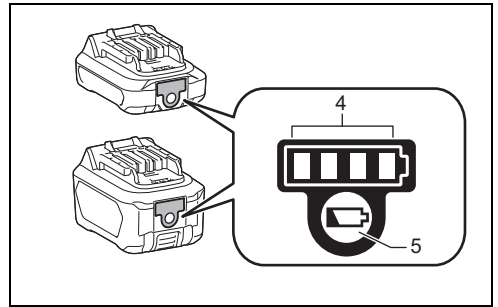
ML106



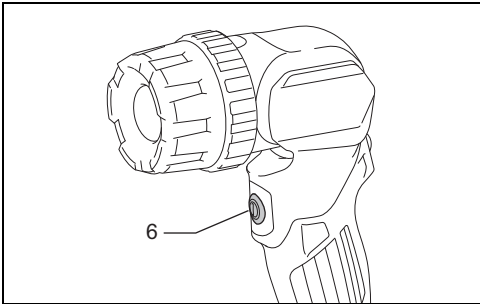
IMPORTANT: Read Before Using.



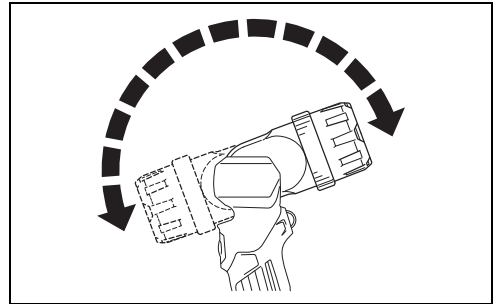
1



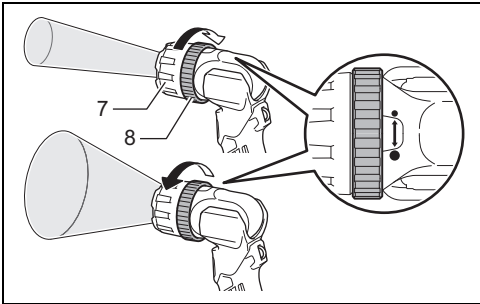
2



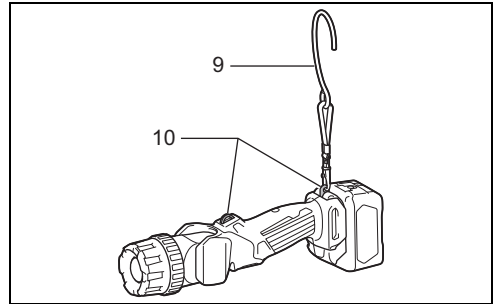
3



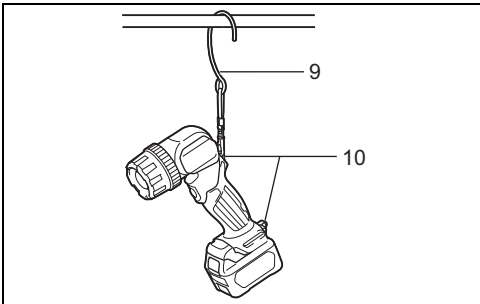
4



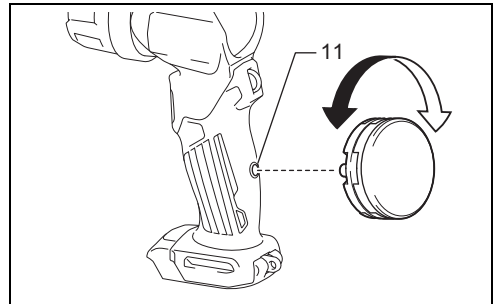
5



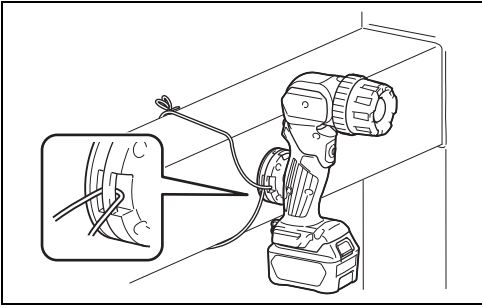
6



7



8



9

ENGLISH (Original instructions)

Explanation of general view

- | | | |
|---------------------------|-----------------|---------------|
| 1. Battery cartridge | 5. Check button | 9. Strap hook |
| 2. Red indicator | 6. Switch | 10. Ring |
| 3. Battery release button | 7. Lens guard | 11. Hole |
| 4. Indicator lamps | 8. Zoom ring | |

SPECIFICATIONS

Major Features		Model	ML106
Voltage		DC 10.8 V - 12V max	
LED		4.9 W x 1 pc	
Operating time (approximately)	BL1016 battery	5.0 hours	
	BL1021B battery	6.0 hours	
	BL1041B battery	12 hours	
Dimensions	with BL1041B battery	L 290 mm (11-3/8") x W 66 mm (2-5/8") x H 93 mm (3-5/8")	
Net Weight		0.61 - 0.78 kg (1.3 - 1.7 lbs)	

- Due to our continuing program of research and development, the specifications herein are subject to change without notice.
- Specifications and battery cartridge may differ from country to country.
- Operating time may differ depending on battery type and usage condition.
- The weight may differ depending on the attachment(s), including the battery cartridge. The lightest and heaviest combination, according to EPTA-Procedure 01/2014, are shown in the table.

WARNING:

Only use the battery cartridges listed above. Use of any other battery cartridges and chargers may cause injury and/or fire.

IMPORTANT SAFETY INSTRUCTIONS

WARNING:

When using electric tools, basic safety precautions should always be followed to reduce the risk of fire, electric shock, and personal injury, including the following:

READ ALL INSTRUCTIONS.

1. Before using battery cartridge, read all instructions and cautionary markings on (1) battery charger, (2) battery, and (3) product using battery.
2. Recharge only with the charger specified by the manufacturer. A charger that is suitable for one type of battery pack may create a risk of fire when used with another battery pack.
3. Use a power source with the voltage specified on the nameplate of the charger.
4. Do not attempt to use a step-up transformer, an engine generator or DC power receptacle.
5. After charging or before attempting any maintenance or cleaning, unplug the charger from the power source.
6. This battery holder part is not waterproof. Do not use it in damp or wet locations. Do not expose it to rain or snow. Do not wash it in water.
7. Do not touch the inside of the flashlight head with tweezers, metal tools, etc.
8. Under abusive conditions, liquid may be ejected from the battery, avoid contact. If contact accidentally occurs, flush with water. If liquid contacts eyes, additionally seek medical help. Liquid ejected from the battery may cause irritation or burns.
9. Do not use a battery pack or tool that is damaged or modified. Damaged or modified batteries may exhibit unpredictable behaviour resulting in fire, explosion or risk of injury.
10. Do not expose a battery pack or tool to fire or excessive temperature. Exposure to fire or temperature above 130 °C may cause explosion
11. Follow all charging instructions and do not charge the battery pack or tool outside the temperature range specified in the instructions. Charging improperly or at temperatures outside the specified range may damage the battery and increase the risk of fire.
12. Do not short the battery cartridge:
 - (1) Do not touch the terminals with any conductive material.
 - (2) Avoid storing battery cartridge in a container with other metal objects such as nails, coins, etc.
 - (3) Do not expose battery cartridge to water or rain. A battery short can cause a large current flow, overheating, possible burns and even a breakdown.
13. If electrolyte gets into your eyes, rinse them out with clear water and seek medical attention right away. It may result in loss of your eyesight.
14. Be careful not to drop or strike battery.

15. Do not incinerate the battery cartridge even if it is severely damaged or is completely worn out. The battery cartridge can explode in a fire.

⚠ CAUTION:

1. When the tool is not in use, always switch off and remove the battery cartridge from the tool.
2. Do not store the tool and battery cartridge in locations where the temperature may reach or exceed 50 °C (122 °F).
3. Do not give the tool a shock by dropping, striking, etc.
4. Do not expose the light to eyes continuously. It may hurt them.
5. Do not cover or clog the lit tool with cloth or carton, etc. Covering or clogging it may cause a flame.
6. Do not disassemble the charger or battery cartridge; take it to a qualified serviceman when service or repair is required. Incorrect reassembly may result in a risk of electric shock or fire.
7. Use the tools only with specifically designated battery packs. Use of any other battery packs may create a risk of injury and fire.
8. When battery pack is not in use, keep it away from other metal objects, like paper clips, coins, keys, nails, screws or other small metal objects, that can make a connection from one terminal to another. Shorting the battery terminals together may cause burns or a fire.
9. If operating time has become excessively shorter, stop operating immediately. It may result in a risk of overheating, possible burns and even an explosion.
10. Do not use a damaged battery.
11. The contained lithium-ion batteries are subject to the Dangerous Goods Legislation requirements.
For commercial transports e.g. by third parties, forwarding agents, special requirement on packaging and labeling must be observed.
For preparation of the item being shipped, consulting an expert for hazardous material is required.
Please also observe possibly more detailed national regulations.
Tape or mask off open contacts and pack up the battery in such a manner that it cannot move around in the packaging.
12. Follow your local regulations relating to disposal of battery.
13. Use the batteries only with the products specified by Makita. Installing the batteries to non-compliant products may result in a fire, excessive heat, explosion, or leak of electrolyte.
14. If any problem develops, consult your nearest Makita Service Center or dealer. To maintain product safety and reliability, repairs, maintenance or adjustment should be carried out by Makita Authorized Service Center.

SAVE THESE INSTRUCTIONS.

⚠ CAUTION:

Only use genuine Makita lithium-ion batteries. Use of non-genuine Makita batteries, or batteries that have been altered, may result in the battery bursting causing fires, personal injury and damage.

Tips for maintaining maximum battery life

1. Charge the battery cartridge before completely discharged.
Always stop tool operation and charge the battery cartridge when you notice less tool power.
2. Never recharge a fully charged battery cartridge.
Overcharging shortens the battery service life.
3. Charge the battery cartridge with room temperature at 10 °C - 40 °C (50 °F - 104 °F). Let a hot battery cartridge cool down before charging it.

FCC Cautions to the user

The changes or modifications not expressly approved by the party responsible for compliance could void the user's authority to operate the equipment.

The equipment has been tested and found to comply with the limits for a Class B Digital Device, pursuant to part 15 of the FCC Rules. These limits are designed to provide reasonable protection against harmful interference in a residential installation.

This equipment generates, uses and can radiate radio frequency energy and, if not installed and used in accordance with the instruction, may cause harmful interference to radio communication.

However, there is no grantee that interference will not occur in a particular installation. If this equipment does cause harmful interference to radio or television reception, which can be determined by turning the equipment off and on, the user is encouraged to try to correct the interference by one or more of the following measures:

- Reorient or relocate the receiving antenna.
- Increase the separation between the equipment and receiver.
- Connect the equipment into an outlet on a circuit different from that to which the receiver is connected.
- Consult the dealer or an experienced radio/TV technician for help.

This device complies with Part 15 of the FCC Rules. Operation is subject to the following two conditions: (1) this device may not cause harmful interference, and (2) this device must accept any interference received, including interference that may cause undesired operation.

CAN ICES-005(B)/NMB-005(B)

FUNCTIONAL DESCRIPTION

Charging

Charge the battery cartridge with the Makita charger before use.

Installing or removing battery cartridge (Fig. 1)

⚠ CAUTION:

- Always switch off the tool before installing or removing of the battery cartridge.
- Hold the tool and the battery cartridge firmly when installing or removing battery cartridge. Failure to hold the tool and the battery cartridge firmly may cause them to slip off your hands and result in damage to the tool and battery cartridge and a personal injury.

To remove the battery cartridge, slide it from the tool while sliding the button on the front of the cartridge.

To install the battery cartridge, align the tongue on the battery cartridge with the groove in the housing and slip it into place. Insert it all the way until it locks in place with a little click. If you can see the red indicator on the upper side of the button, it is not locked completely.







CAUTION:

- Always install the battery cartridge fully until the red indicator cannot be seen. If not, it may accidentally fall out of the tool, causing injury to you or someone around you.
- Do not install the battery cartridge forcibly. If the cartridge does not slide in easily, it is not being inserted correctly.

Indicating the remaining battery capacity (Fig. 2)

(Only for battery cartridges with the indicator)

Press the check button on the battery cartridge to indicate the remaining battery capacity. The indicator lamps light up for few seconds.

Indicator lamps		Remaining capacity
 Lighted	 Off	
		75% to 100%
		50% to 75%
		25% to 50%
		0% to 25%

NOTE:

- Depending on the conditions of use and the ambient temperature, the indication may differ slightly from the actual capacity.

Overdischarge protection

When the battery capacity is not enough, the light goes off automatically. In this case, remove the battery from the tool and charge the battery.

Lighting up the LED light (Fig. 3)

CAUTION:

- Do not look in the LED light or see the source of light directly.

Push the switch to light up the LED light. To turn off, push the switch again.

Head angle (Fig. 4)

The head angle can be adjusted in 12 stages. Adjust as desired.

CAUTION:

- Take care not to trap finger(s) when adjusting the head angle. Trapping finger(s) may cause injury.

Zoom function (Fig. 5)

You can zoom the light by turning the zoom ring. Turn the zoom ring to ● side for widening, and to • side for narrowing.

NOTE:

- Do not turn the lens guard, or it comes off.

Strap hook (Fig. 6, 7)

The strap hook is convenient for temporarily hanging the tool.

The strap hook can be installed on the upper or lower ring in accordance with usage.

Magnet Attachment (optional accessory) (Fig. 8, 9)

Attach the magnet attachment by tightening the screw.

When attaching the tool with the magnet attachment, use a string to fix the magnet attachment.

WARNING:

- Do not bring the magnet attachment closer to precision equipment such as electronic device, clock, watch, or IC card. The magnetic force may affect them.
- Do not use the magnet attachment near the heart pacemaker. There is a risk of malfunction.
- Before the attachment, make sure that the magnet can be attached to the desired metal, and there is enough space for the attachment. After the attachment, make sure that the tool is firmly fixed.

NOTICE:

- If the magnet attachment is attached to the material for a long period, the surface of the material may be damaged depending on the use conditions.
- When detaching the magnet attachment, do not slide it. The surface to which the magnet attachment is attached may be damaged.

MAINTENANCE

CAUTION:

- Never use gasoline, benzine, thinner, alcohol or the like. Discoloration, deformation or cracks may result.
- To maintain product SAFETY and RELIABILITY, repairs, any other maintenance or adjustment should be performed by Makita Authorized Service Centers, always using Makita replacement parts.

OPTIONAL ACCESSORIES

CAUTION:

These accessories or attachments are recommended for use with your Makita tool specified in this manual. The use of any other accessories or attachments might present a risk of injury to persons. The accessories or attachments should be used only in the proper and intended manner.

- Magnet attachment
- Makita genuine battery and charger

NOTE:

Some items in the list may be included in the tool package as standard accessories. They may differ from country to country.

Makita Corporation
3-11-8, Sumiyoshi-cho,
Anjo, Aichi 446-8502 Japan

ML106-NA3-1704

www.makita.com

ALA