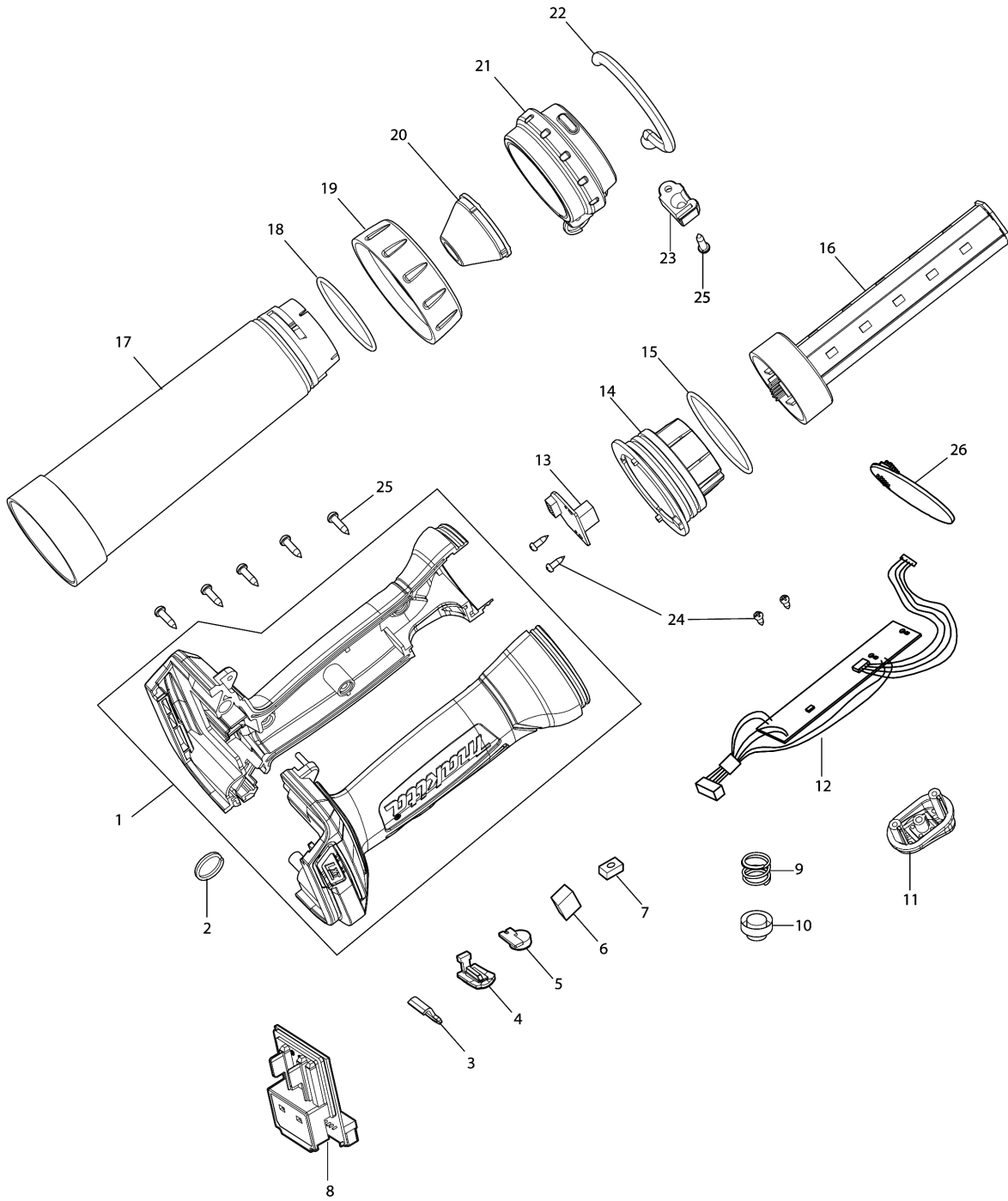


# Model No.ML104 LED FLASHLIGHT





Model No.ML104 LED FLASHLIGHT

Item	Parts No.	Description	I/C	Qty	New/Old	Opt. 1	Opt. 2	Note
001	GM00001684	HOUSING L/R ASSY ROS81040300		1				
002	SM00000190	RING B3103184009		1				
003	GM00001459	METAL STRAP HOOK B2808807021		1				
004	GM00001685	USB RUBBER COVER C9020104001		1				
005-1	GM00001712	USB SWITCH BUTTON C9020104003		1				
006	GM00001672	HEAT TRANSFER PAD A3252040000		1				
007	GM00001687	METAL,SQUARE NUT B0210053000		1				
008	GM00001688	BATTERY HOLDER+USB PCBA ASSY		1				
009	GM00001689	METAL SPRING, B1312104021		1				
010	GM00001690	PLASTIC SWITCH POST C102010400		1				
011	GM00001461	SWITCH HOLDER ASSY ROS88070004		1				
012	GM00001691	MAIN PCBA ASSY ROS81040302		1				
013	GM00001692	FEMALE SOCKET PCBA ROS81040303		1				
014	GM00001693	LAMP HOLDER C1020104002		1				
015	GM00001464	O-RING (CAP) C9820807004		1				
016	GM00001694	LED LAMP TUBE ASSY ROS81040304		1				
017	GM00001695	DIFFUSING CAP(ML104) ROS810403		1				
018	GM00001467	O-RING C9820807003		1				
019	GM00001468	LOCK RING C0110184004		1				
020	GM00001469	REFLECTOR ROS88070008		1				
021	GM00001470	BEZEL ASSY ROS88070001		1				
022	GM00001471	HOOK ASSY ROS88070000		1				
023	GM00001472	HOOK BALL COVER C3020807002		1				
024	GM00001395	SCREW 2.6X8PB B0126081102		4				
025	GM00001024	SCREW 3X12 B0130120202		6				
026	GM00001696	ML104 LED DRIVER PCBA ASSY		1				

Please order the parts with part number.

Print Date 26/3/2020

