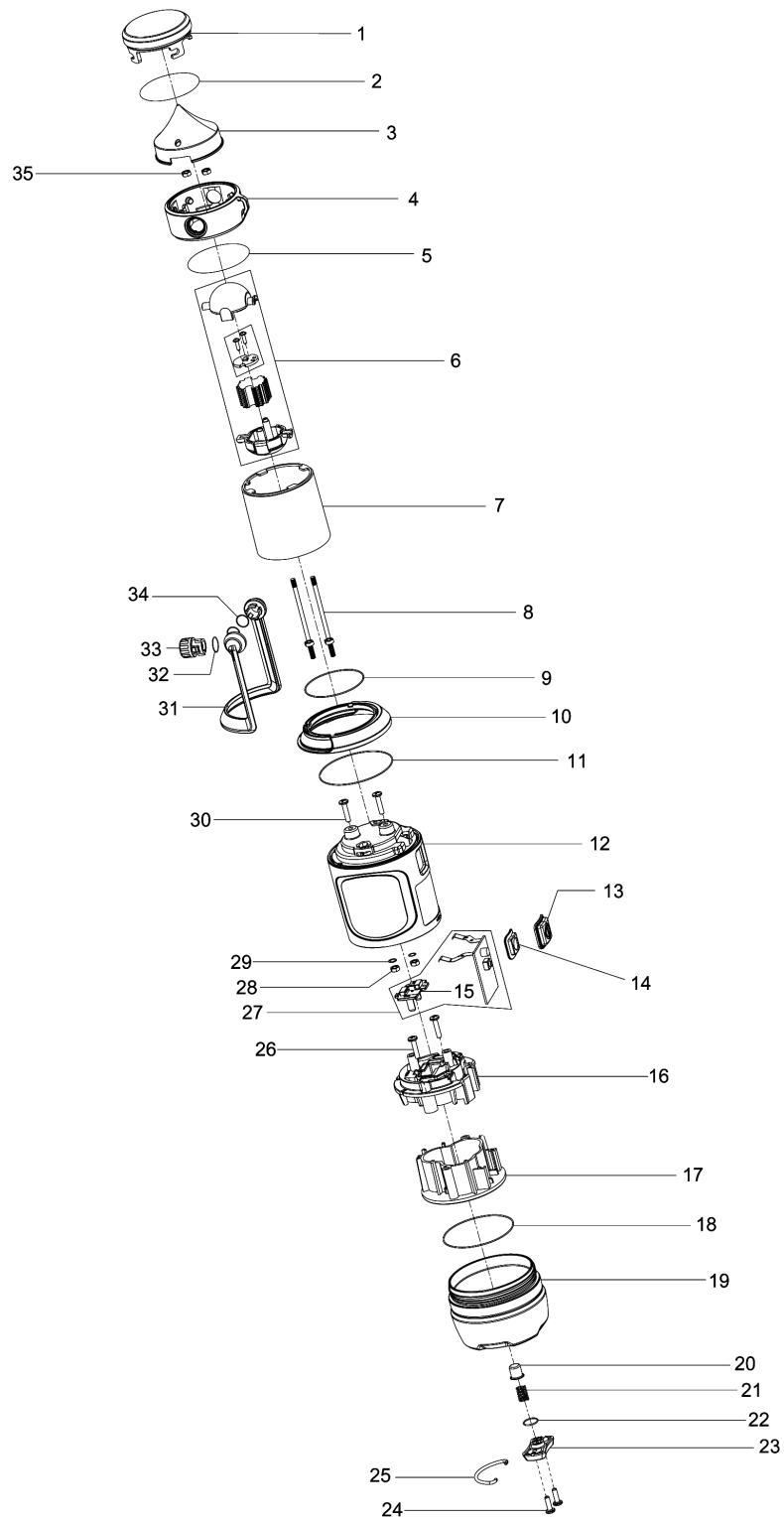


Model No.ML102 RECHARGEABLE LED LANTERN



Model No.ML102 RECHARGEABLE LED LANTERN

Item	Parts No.	Description	I/C	Qty	New/Old	Opt. 1	Opt. 2	Note
001	TE00000117	TRANSPARENT PARTS (SPOTLIGHT)		1				
002	TE00000118	O-RING(42X1.5)		1				
003	TE00000119	REFLECTOR		1				
004	TE00000120	UPPER COVER		1				
005	TE00000121	O-RING(45X1.5)		1				
006	TE00000122	LED COMPONENT		1				
007	TE00000123	TRANSPARENT PARTS ON BODY		1				
008	TE00000124	CONNECTING ROD ON BODY 3X59		2				
009	TE00000121	O-RING(45X1.5)		1				
010	TE00000125	MID RING		1				
011	TE00000126	O-RING(59X1.5)		1				
012	TE00000127	MAIN BODY		1				
013	TE00000128	BUTTON		1				
014	TE00000129	PRESSURE PARTS FOR BUTTON		1				
015	TE00000130	BATTERY CONTACT BLOCK		1				
016	TE00000131	UPPER OF MAIN INTERNALS		1				
017	TE00000132	LOWER OF MAIN INTERNALS		1				
018	TE00000133	O-RING(55X1.5)		1				
019	TE00000134	LOWER COVER		1				
020	TE00000135	METAL CAP CONTACT TO BATTERY		1				
021	TE00000136	SPRING		1				
022	TE00000137	O-RING(10X1.5)		1				
023	TE00000138	PRESSURE PARTS FOR UNDER HOOK		1				
024	TE00000146	SCREW C(3X10) B-TYPE PAN HEAD		2				
025	TE00000142	UNDER HOOK		1				
026	TE00000145	SCREW B(3X14) B-TYPE PAN HEAD		2				
027	TE00000141	SWITCH CIRCUIT BOARD ASSEMBLY		1				
D10		15						
028	TE00000143	NUT(M3)		2				
029	TE00000144	WASHER 3		2				
030	TE00000145	SCREW B(3X14) B-TYPE PAN HEAD		2				
031	TE00000140	HOOK		1				
032	TE00000150	O-RING(9X1.5)		1				
033	TE00000139	KNOB		1				
034	TE00000137	O-RING(10X1.5)		2				
035	TE00000143	NUT(M3)		2				

Please order the parts with part number.

Print Date 14/5/2019

