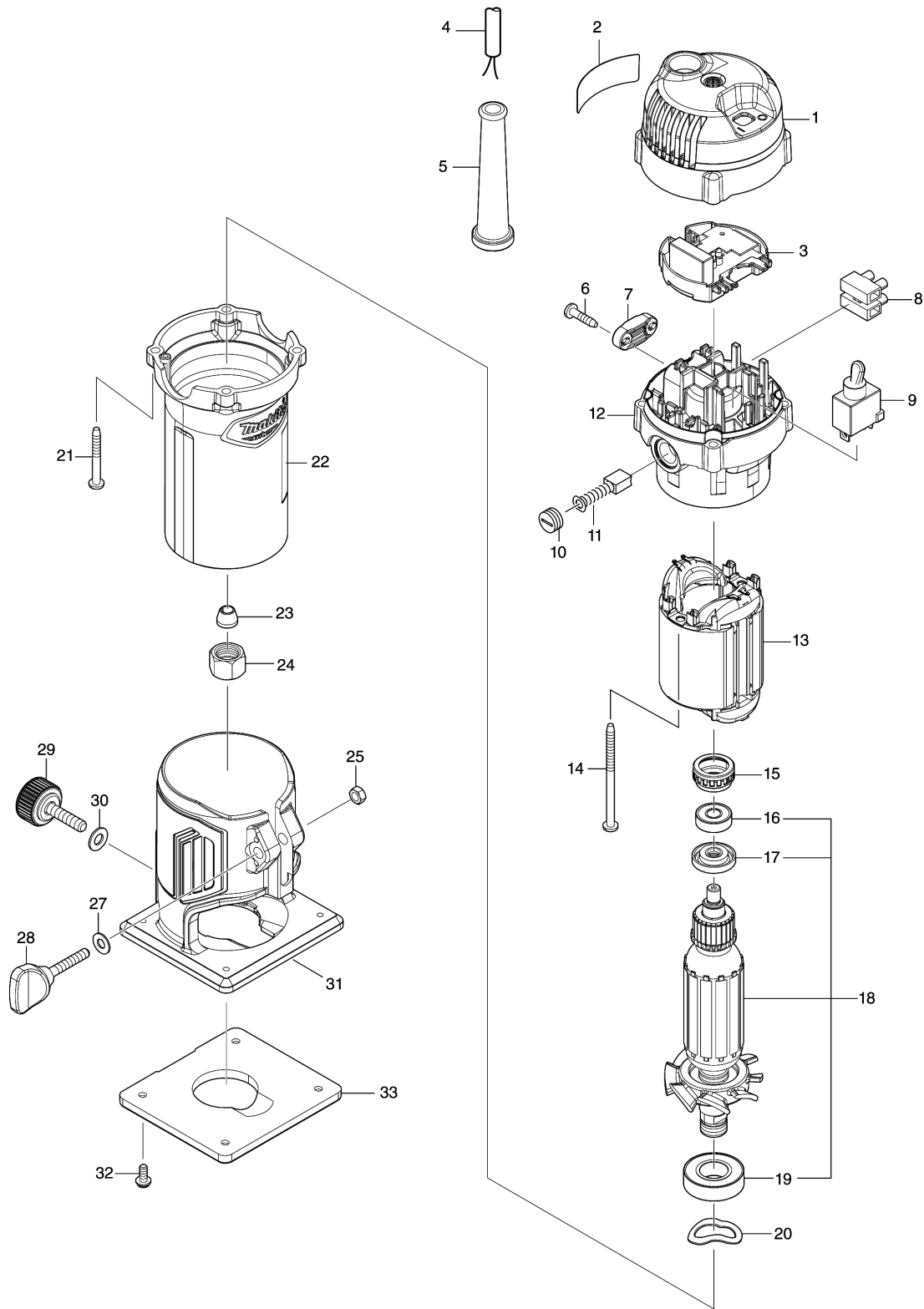


Model No.M3702 TRIMMER



Model No.M3702 TRIMMER

Item	Parts No.	Description	I/C	Qty	New/Old	Opt. 1	Opt. 2	Note
001	413774-8	TOP COVER		1				
002	811T83-3	M3702 NAME PLATE		1				
003	620F47-0	CONTROLLER		1				
C10	646358-9	LINE COIL		1				
004	665383-1	POWER SUPPLY CORD 1.0-2-2.0		1				
005	682569-2	CORD GUARD 8-85		1				
006	266326-2	TAPPING SCREW 4X18		2				
007	687124-5	STRAIN RELIEF		1				
008	654531-7	TERMINAL BLOCK 2P		1				
009	651424-9	SWITCH STL106AT		1				
010	643987-9	BRUSH HOLDER CAP 5-8		2				
011	191940-4	CARBON BRUSH CB-411		1				
012	141D20-0	BRACKET COMPLETE		1				
013	634774-7	FIELD		1				
014	266340-8	TAPPING SCREW 4X65		2				
015	421868-5	LABYRINTH RUBBER RING 19		1				
016	210062-2	BALL BEARING 607ZZ		1				
017	681668-7	INSULATION WASHER		1				
018	510227-9	ARMATURE ASS'Y 240V		1				
C10	241667-7	FAN 52		1				
D10		INC. 16,17,19						
019	211247-3	BALL BEARING 6002DDW		1				
020	267785-3	WAVE WASHER 23		1				
021	266351-3	TAPPING SCREW 4X35		4				
022	141D79-7	MOTOR HOUSING COMPLETE		1				
C10	8034K8-2	SCALE LABEL		1				
023	763662-2	COLLET CONE 6		1				
024	763661-4	COLLET NUT 6		1				
025	252156-7	HEX. NUT M5-8		1				
027	941101-4	FLAT WASHER 5		1				
028	251867-1	THUMB SCREW M5X30		1				
029	265763-7	THUMB SCREW M6X25		1				
030	941151-9	FLAT WASHER 6		1				
031	454022-6	BASE		1				
032	265142-9	+ PAN HEAD SCREW M4X10		4				
033	410585-2	BASE PROTECTOR		1				
A01	122703-7	TRIMMER GUIDE ASS'Y		1				
C10	251471-6	- FLAT HEAD SCREW M5		1				
C20	265135-6	+ COUNTERSUNK HEAD SCREW M4X10		1				
C30	265763-7	THUMB SCREW M6X25		1				
C40	265764-5	THUMB SCREW M6		1				

Model No.M3702 TRIMMER

Item	Parts No.	Description	I/C	Qty	New/Old	Opt. 1	Opt. 2	Note
C50	317788-8	GUIDE HOLDER		1				
C60	324378-0	ROLLER 11		1				
C70	341136-9	HOOK		1				
C80	941151-9	FLAT WASHER 6		1				
A02	122704-5	STRAIGHT GUIDE ASS'Y		1				
C10	252649-4	THUMB NUT M6		1				
C20	266339-3	CAP SQUARE NECK BOLT M6X20		1				
C30	343593-7	GUIDE PLATE		1				
A03	343577-5	TEMPLER GUIDE 10		1				
A04	781036-5	WRENCH 10		1				
A05	781037-3	WRENCH 17		1				
A06	418647-0	CHIP DEFLECTOR		1				
A07	733239-7	STRAIGHT BIT 6		1	*			
A07-1	191Y83-2	STRAIGHT BIT 6 SET	O	1				

Please order the parts with part number.

Print Date 28/12/2021