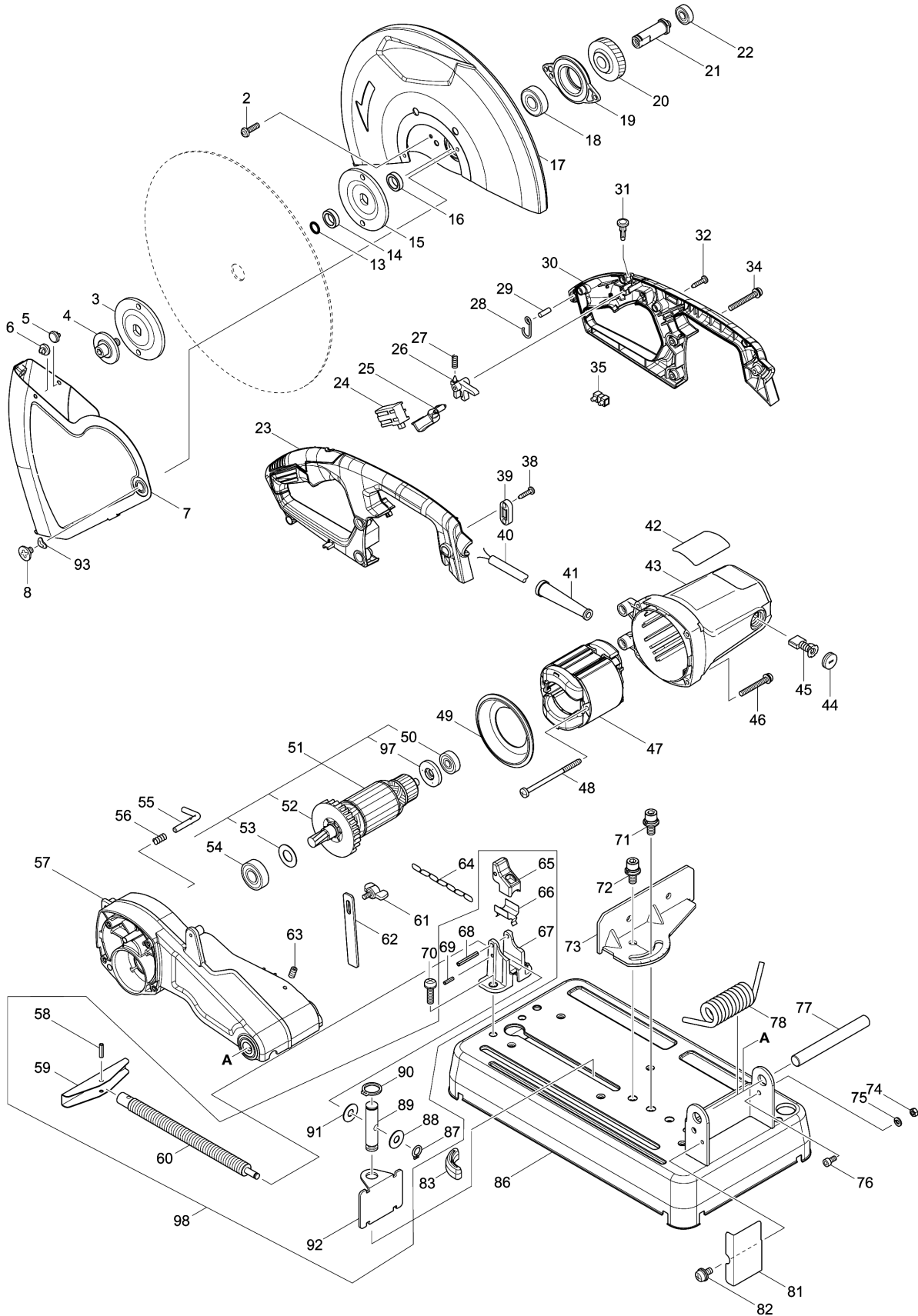


# Model No.M2401 355MM PORTABLE CUT OFF





## Model No.M2401 355MM PORTABLE CUT OFF

| Item  | Parts No. | Description                     | I/C | Qty | New/Old | Opt. 1 | Opt. 2 | Note |
|-------|-----------|---------------------------------|-----|-----|---------|--------|--------|------|
| 002   | 265122-5  | PAN HEAD SCREW M5X20            |     | 4   |         |        |        |      |
| 003   | 224456-5  | FLANGE 90                       |     | 1   |         |        |        |      |
| 004   | 251498-6  | HEX SOCKET HEAD BOLT<br>M10X25  |     | 1   |         |        |        |      |
| 005   | 416771-3  | PLUG                            |     | 1   |         |        |        |      |
| 006   | 416771-3  | PLUG                            |     | 1   |         |        |        |      |
| 007   | 161529-2  | SAFETY GUIDE                    |     | 1   |         |        |        |      |
| 008   | 265121-7  | + FLAT HEAD SCREW M6            |     | 1   |         |        |        |      |
| 013   | 213180-5  | O RING 14                       |     | 1   |         |        |        |      |
| 014   | 257255-0  | RING 17                         |     | 1   |         |        |        |      |
| 015   | 224456-5  | FLANGE 90                       |     | 1   |         |        |        |      |
| 016   | 257255-0  | RING 17                         |     | 1   |         |        |        |      |
| 017   | 161778-1  | SAFETY COVER                    |     | 1   |         |        |        |      |
| 018   | 210155-5  | BALL BEARING 6203ZZ             |     | 1   |         |        |        |      |
| 019   | 316527-3  | BEARING BOX                     |     | 1   |         |        |        |      |
| 020   | 221462-1  | HELICAL GEAR 43                 |     | 1   |         |        |        |      |
| 021   | 326790-0  | SPINDLE                         |     | 1   |         |        |        |      |
| 022   | 210067-2  | BALL BEARING 6000ZZ             |     | 1   | *       |        |        |      |
| 022-1 | 210199-5  | BALL BEARING 6000ZZ             | O   | 1   |         |        |        |      |
| 023   | 183E47-0  | HANDLE SET                      |     | 1   |         |        |        |      |
| D10   |           | INC. 30                         |     |     |         |        |        |      |
| 024   | 651067-7  | SWITCH                          |     | 1   |         |        |        |      |
| 025   | 418140-4  | SWITCH LEVER                    |     | 1   |         |        |        |      |
| 026   | 418139-9  | SWITCH LOCK                     |     | 1   |         |        |        |      |
| 027   | 231397-8  | COMPRESSION SPRING 4            |     | 1   |         |        |        |      |
| 028   | 281216-8  | HANGER                          |     | 1   |         |        |        |      |
| 029   | 268101-2  | PIN 6                           |     | 1   |         |        |        |      |
| 030   | 183E47-0  | HANDLE SET                      |     | 1   |         |        |        |      |
| D10   |           | INC. 23                         |     |     |         |        |        |      |
| 031   | 418138-1  | SWITCH BUTTON                   |     | 1   |         |        |        |      |
| 032   | 266841-6  | TAPPING SCREW 4X18              |     | 4   |         |        |        |      |
| 034   | 265104-7  | PAN HEAD SCREW M5X40            |     | 3   |         |        |        |      |
| 035   | 654532-5  | TERMINAL BLOCK 1P               |     | 1   |         |        |        |      |
| 038   | 266841-6  | TAPPING SCREW 4X18              |     | 2   |         |        |        |      |
| 039   | 687124-5  | STRAIN RELIEF                   |     | 1   |         |        |        |      |
| 040   | 695480-9  | POWER SUPPLY CORD 1.0-2-<br>2.5 |     | 1   | *       |        |        |      |
| 040-1 | 665865-3  | POWER SUPPLY CORD 1.0-2-<br>2.5 | O   | 1   |         |        |        |      |
| 041   | 682540-6  | CORD GUARD 9.3-90               |     | 1   |         |        |        |      |
| 042   | 853R92-4  | M2401 NAME PLATE                |     | 1   |         |        |        |      |
| 043   | 144053-0  | MOTOR HOUSING COMPLETE          |     | 1   |         |        |        |      |
| 044   | 644802-0  | HOLDER CAP                      |     | 2   |         |        |        |      |
| 045   | 191953-5  | CARBON BRUSH CB-203             |     | 1   |         |        |        |      |

Please order the parts with part number.

Print Date 2/7/2019

## Model No.M2401 355MM PORTABLE CUT OFF

| Item | Parts No. | Description                    | I/C | Qty | New/Old | Opt. 1 | Opt. 2 | Note |
|------|-----------|--------------------------------|-----|-----|---------|--------|--------|------|
| 046  | 265104-7  | PAN HEAD SCREW M5X40           |     | 4   |         |        |        |      |
| 047  | 593949-6  | FIELD ASS'Y 240V               |     | 1   |         |        |        |      |
| 048  | 266328-8  | TAPPING SCREW 5X80             |     | 2   |         |        |        |      |
| 049  | 418143-8  | BAFFLE PLATE                   |     | 1   |         |        |        |      |
| 050  | 210070-3  | BALL BEARING 6200ZZ            |     | 1   |         |        |        |      |
| 051  | 513494-5  | ARMATURE ASS'Y 240V            |     | 1   |         |        |        |      |
| D10  |           | INC. 50,52-54,97               |     |     |         |        |        |      |
| 052  | 240003-4  | FAN 80                         |     | 1   |         |        |        |      |
| 053  | 267274-8  | FLAT WASHER 15                 |     | 1   |         |        |        |      |
| 054  | 210156-3  | BALL BEARING 6202ZZ            |     | 1   |         |        |        |      |
| 055  | 322665-1  | STOPPER                        |     | 1   |         |        |        |      |
| 056  | 233372-0  | COMPRESSION SPRING 7           |     | 1   |         |        |        |      |
| 057  | 144057-2  | GEAR HOUSING COMPLETE          |     | 1   |         |        |        |      |
| C10  | 263029-9  | RUBBER PIN 6                   |     | 1   |         |        |        |      |
| 058  | 951163-4  | SPRING PIN 5-20                |     | 1   |         |        |        |      |
| 059  | 271431-2  | HANDLE 120                     |     | 1   |         |        |        |      |
| 060  | 326802-9  | WISE SCREW                     |     | 1   |         |        |        |      |
| 063  | 251961-9  | H.S.SET SCREW(FLAT POINT)M6X10 |     | 2   |         |        |        |      |
| 064  | 282015-1  | CHAIN                          |     | 1   |         |        |        |      |
| 065  | 313114-9  | WISE NUT                       |     | 1   |         |        |        |      |
| 066  | 347083-2  | PLATE                          |     | 1   |         |        |        |      |
| 067  | 319474-7  | SCREW GUIDE                    |     | 1   |         |        |        |      |
| 068  | 951175-7  | SPRING PIN 5-36                |     | 1   |         |        |        |      |
| 069  | 951110-5  | SPRING PIN 4-16                |     | 1   |         |        |        |      |
| 070  | 265125-9  | PAN HEAD SCREW M8X30           |     | 2   |         |        |        |      |
| 071  | 251499-4  | H. S. HEAD BOLT M10X25 WITH WG |     | 1   |         |        |        |      |
| 072  | 251499-4  | H. S. HEAD BOLT M10X25 WITH WG |     | 1   |         |        |        |      |
| 073  | 347276-1  | GUIDE PLATE                    |     | 1   |         |        |        |      |
| 074  | 931302-2  | HEX. NUT M6                    |     | 1   |         |        |        |      |
| 075  | 942151-2  | SPRING WASHER 6                |     | 1   |         |        |        |      |
| 076  | 922312-0  | HEX. SOCKET HEAD BOLT M6X12    |     | 1   |         |        |        |      |
| 077  | 326801-1  | ROD 16                         |     | 1   |         |        |        |      |
| 078  | 232325-6  | TORSION SPRING 20              |     | 1   |         |        |        |      |
| 081  | 161779-9  | SPARK GUARD                    |     | 1   |         |        |        |      |
| 082  | 265144-5  | PAN HEAD SCREW M6X12           |     | 1   |         |        |        |      |
| 083  | 421834-2  | CUSHION                        |     | 3   |         |        |        |      |
| 086  | 161777-3  | BASE                           |     | 1   |         |        |        |      |
| 087  | 961004-6  | RETAINING RING S-8             |     | 1   |         |        |        |      |
| 088  | 267257-8  | FLAT WASHER 8                  |     | 1   |         |        |        |      |
| 089  | 256545-8  | PIN 16                         |     | 1   |         |        |        |      |

Please order the parts with part number.

Print Date 2/7/2019

## Model No.M2401 355MM PORTABLE CUT OFF

| Item | Parts No. | Description            | I/C | Qty | New/Old | Opt. 1 | Opt. 2 | Note |
|------|-----------|------------------------|-----|-----|---------|--------|--------|------|
| 090  | 961056-7  | RETAINING RING S-16    |     | 1   |         |        |        |      |
| 091  | 267257-8  | FLAT WASHER 8          |     | 1   |         |        |        |      |
| 092  | 347277-9  | WISE PLATE             |     | 1   |         |        |        |      |
| 093  | 253903-9  | WAVE WASHER 6          |     | 1   |         |        |        |      |
| 097  | 681630-2  | INSULATION WASHER      |     | 1   |         |        |        |      |
| 098  | 135841-6  | WISE ASS'Y             |     | 1   |         |        |        |      |
| D10  |           | INC. 58-60,65-69,87-92 |     |     |         |        |        |      |
| A01  | 783023-0  | HEX. WRENCH 8          |     | 1   |         |        |        |      |
| A02  | B-19881   | 14" CUT-OFF WHEEL      |     | 1   |         |        |        |      |
| E01  | 645275-0  | CAPACITOR              |     | 1   |         |        |        |      |

Please order the parts with part number.

Print Date 2/7/2019