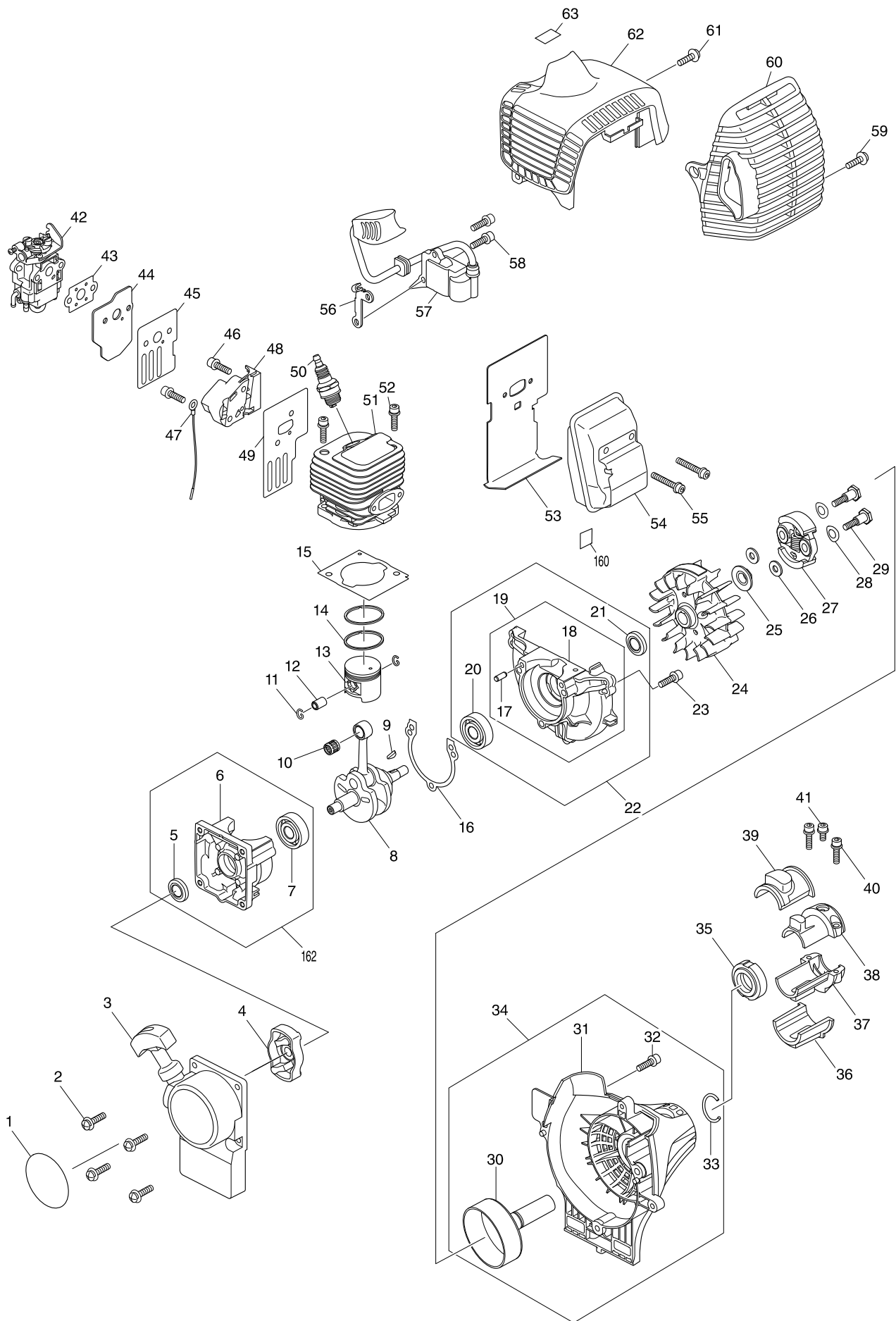
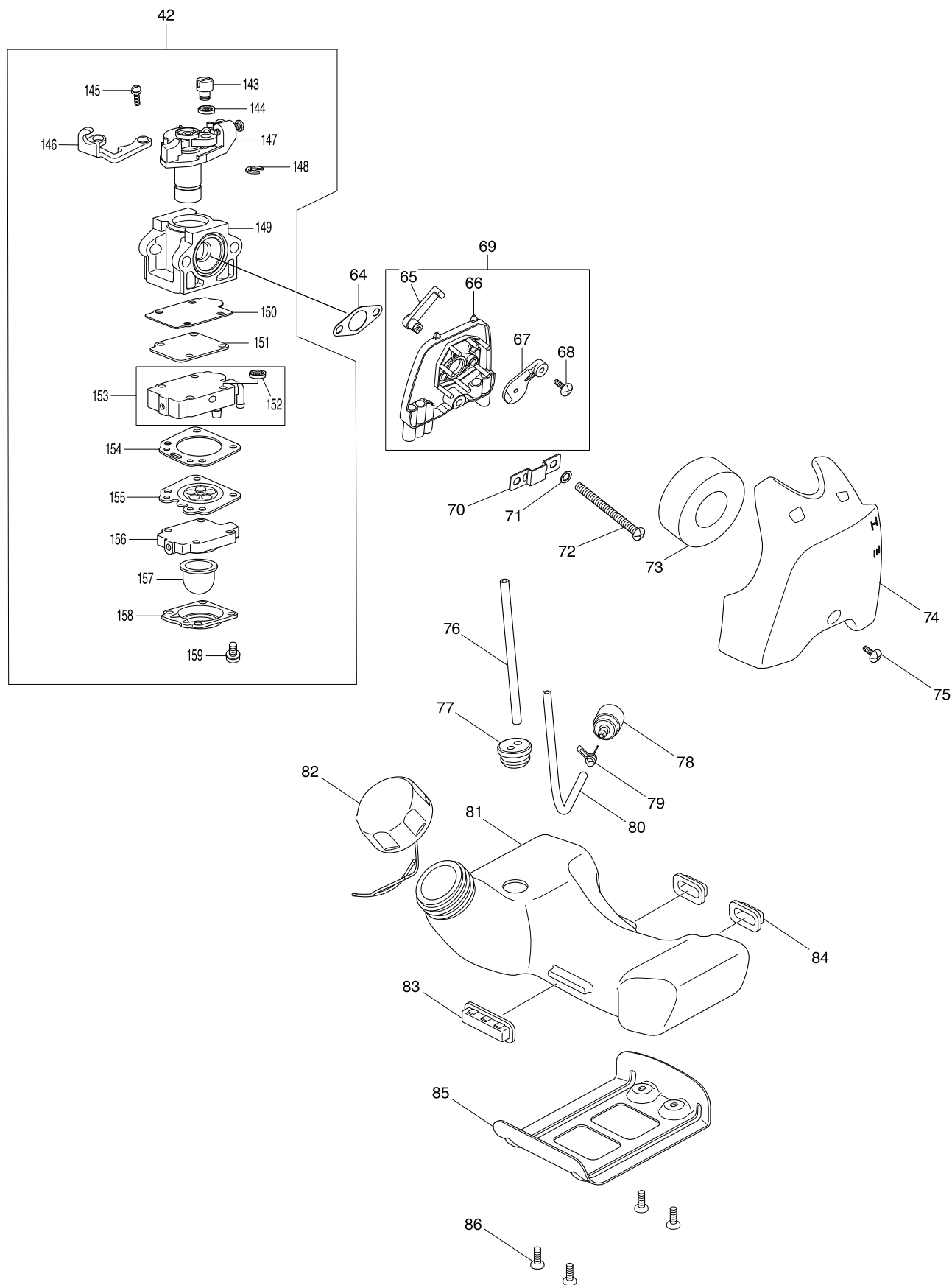


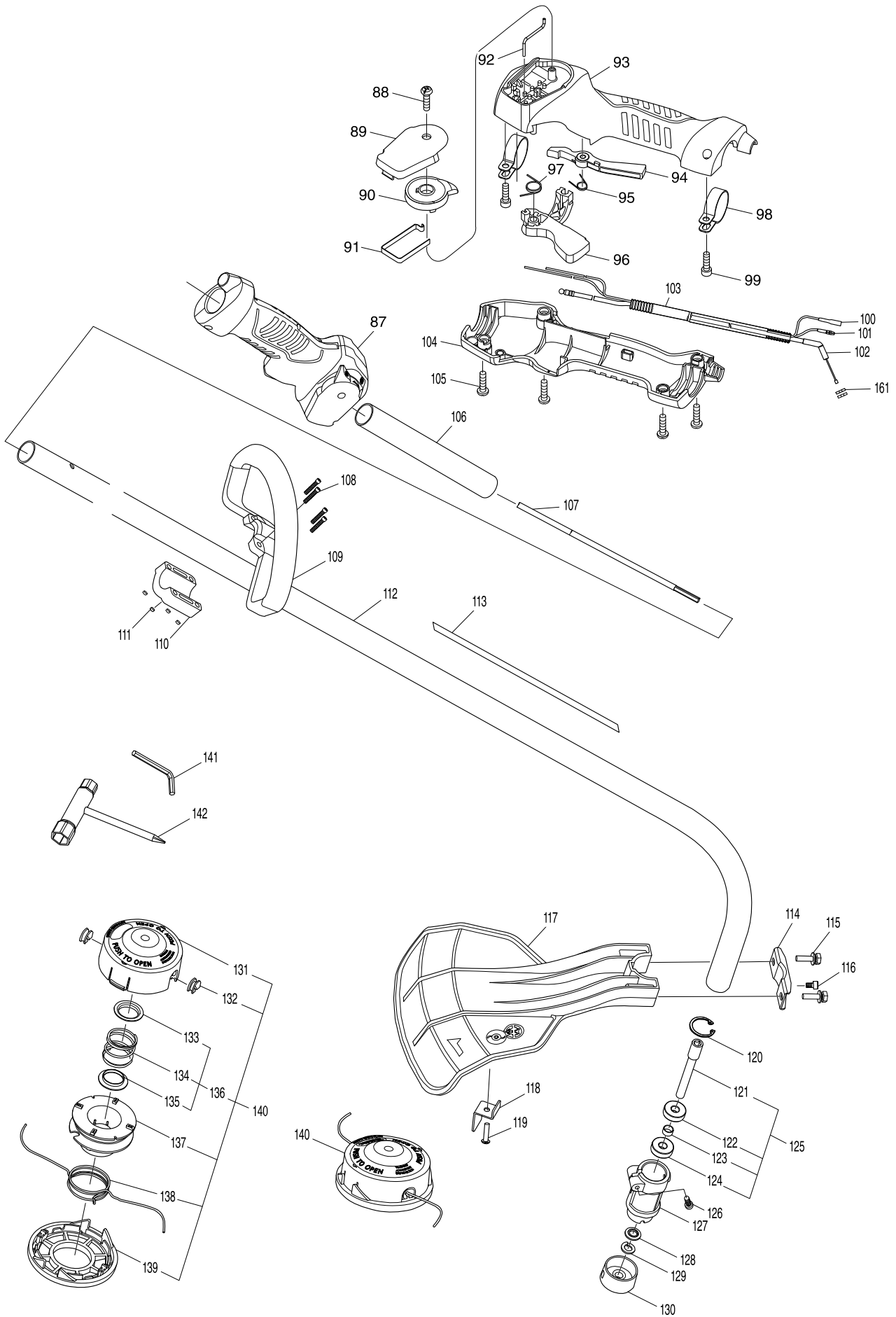
# Mallinnumero LT27 PETROL STRING TRIMMER



# Mallinnumero LT27 PETROL STRING TRIMMER



# Mallinero LT27 PETROL STRING TRIMMER



# Mallinumero LT27 PETROL STRING TRIMMER

Sivu 1 / 5

Nimike	Osanumero	Kuvaus	I/C nu	MÄÄRÄ	N/O	Opt. 1	Opt. 2	HUOMAUTUS
001	DA00000661	LABEL,MODEL		1				
002	DA00000096	SCREW & WASHER ASSY		4				
003	DA00000379	STARTER,REWIND ASSY		1				
004	DA00000380	PULLEY		1				
005	DA00000064	OIL SEAL		1				
006	DA00000383	CRANKCASE2		1				
007	DA00000384	BALL BEARING		1				
008	DA00000386	CRANKSHAFT COMPL		1				
009	DA00000077	WOODRUFF KEY		1				
010	DA00000073	NEEDLE BEARING 8		1				
011	DA00000071	CLIP		2				
012	DA00000389	PIN,PISTON		1				
013	DA00000387	PISTON		1				
014	DA00000388	RING,PISTON		2				
015	DA00000391	GASKET,CYLINDER		1				
016	DA00000390	GASKET,CRANKCASE		1				
017	DA00000385	KNOCK		2				
018	DA00000382	CRANKCASE1		1				
019	DA00000447	CRANKCASE ASS'Y		1				
D10		INC. 17,18						
020	DA00000384	BALL BEARING		1				
021	DA00000381	OIL SEAL		1				
022	DA00000448	CRANKCASE 1 ASS'Y		1				
D10		INC. 19-21						
023	DA00000134	HEX. SOCKET HEAD BOLT M5X30		3				
024	DA00000393	FLYWHEEL COMPL		1				
025	DA00000397	NUT,M6		1				
026	DA00000398	WASHER		2				
027	DA00000399	CLUTCH ASS'Y		1				
028	DA00000400	WASHER		2				
029	DA00000401	BOLT,CLUTCH		2				
030	DA00000626	DRUM,CLUTCH COMPL		1				
031	DA00000658	CLUTCH CASE		1				
032	DA00000080	SOCKET HEAD BOLT M5X20		4				
033	DA00000487	OUTER SNAP RING		1				
034	DA00000664	CLUTCH CASE COMPLETE		1				
D10		INC. 30-33						
035	DA00000405	BUFFER RUBBER		1				
036	DA00000409	BUFFER RUBBER		1				
037	DA00000407	PIPE HOLDER		1				
038	DA00000406	PIPE HOLDER		1				
039	DA00000408	BUFFER RUBBER		1				
040	DA00000080	SOCKET HEAD BOLT M5X20		2				
041	DA00000410	SOCKET HEAD BOLT M5X12(SW)		1				
042	DA00000417	CARBURETOR		1	*			
D10		INC. 143-151,153-159			*			
042-1	DA00000417	CARBURETOR	O	1				
D10		INC. 143-146,148,150-151,						

# Mallinumero LT27 PETROL STRING TRIMMER

Sivu 2 / 5

Nimike	Osanumero	Kuvaus	I/C nu	MÄÄRÄ	N/O	Opt. 1	Opt. 2	HUOMAUTUS
D20		153-159						
043	DA00000416	GASKET,CARBURETOR		1				
044	DA00000415	INSULATOR,CARBURETOR		1				
045	DA00000414	GASKET,CARBURETOR		1				
046	DA00000137	SOCKET HEAD BOLT M5X25		2				
047	DA00000413	WIRE COMPL		1				
048	DA00000412	INSULATOR		1				
049	DA00000411	GASKET,INSULATOR		1				
050	168648-5	SPARK PLUG (BPMR7A)		1				
051	DA00000392	CYLINDER		1				
052	DA00000080	SOCKET HEAD BOLT M5X20		2				
053	DA00000425	GASKET,MUFFLER		1				
054	DA00000426	MUFFLER,EXHAUST		1				
055	DA00000427	SOCKET HEAD BOLT M5X50(W)		2				
056	DA00000395	INSULATOR,IGNITION COIL		1				
057	DA00000394	IGNITION COIL ASSY		1				
058	DA00000396	SOCKET HAED BOLT M4		2				
059	DA00000096	SCREW & WASHER ASS'Y		1				
060	DA00000435	MUFFLER COVER		1				
061	DA00000096	SCREW & WASHER ASS'Y		1				
062	DA00000434	CYLINDER COVER		1				
063	DA00000491	LABEL		1	*			
063-1	DA00000442	LABEL	<	1				
064	DA00000418	GASKET,CARBURETOR		1				
065	DA00000419	CHOCK LEVER		1				
066	DA00000420	CLEANER PLATE		1				
067	DA00000421	CHOCK PLATE		1				
068	DA00000422	TAPPING SCREW 3X10		1				
069	DA00000452	PLATE,AIR CLEANER ASSY		1				
D10		INC. 65-68						
070	DA00000106	PLATE		1				
071	DA00000198	SPRING WASHER		2				
072	DA00000107	PAN HEAD SCREW M5X63		2				
073	DA00000423	AIR FILTER		1				
074	DA00000424	AIR CLEANER COVER		1				
075	DA00000096	SCREW & WASHER ASS'Y		1				
076	DA00000116	TUBE S		1				
077	DA00000118	GROMMET		1				
078	DA00000523	GASOLINE FILTER		1				
079	DA00000120	HOSE CLAMP		1				
080	DA00000117	TUBE L		1				
081	DA00000428	FUEL TANK		1				
082	DA00000122	FUEL TANK CAP COMPLETE		1				
083	DA00000429	BUFFER RUBBER		1				
084	DA00000430	BUFFER RUBBER		2				
085	DA00000431	STAND		1				
086	DA00000432	TAPPING SCREW 4X12		4				
087	DA00000439	CONTROL LEVER ASSEMBLY		1				

## Mallinumero LT27 PETROL STRING TRIMMER

Sivu 3 / 5

Nimike	Osanumero	Kuvaus	I/C nu	MÄÄRÄ	N/O	Opt. 1	Opt. 2	HUOMAUTUS
D10		INC. 88-105						
088	DA00000465	TAPPING SCREW PT3X16		1				
089	DA00000464	SWITCH COVER		1				
090	DA00000463	SWITCHLEVER		1				
091	DA00000462	LEAF SPRING		1				
092	DA00000461	LOCK PIN		1				
093	DA00000460	LEVER CASE L		1				
094	DA00000469	LOCK LEVER		1				
095	DA00000466	TORSION SPRING		1				
096	DA00000467	THROTTLE LEVER		1				
097	DA00000468	TORSION SPRING		1				
098	DA00000470	CLAMP 24		2				
099	DA00000143	SOCKET HEAD BOLT M5X14 (W,SW)		2				
100	DA00000471	LEAD UNIT		1				
101	DA00000472	LEAD UNIT		1				
102	DA00000473	CONTROL CABLE		1				
103	DA00000474	CORRUGATE,TUBE		1				
104	DA00000475	LEVER CASE R		1				
105	DA00000476	TAPPING SCREW PT4X18		4				
106	DA00000628	LIMIT SLEEVING		1				
107	DA00000629	FLEXIBLE SHAFT		1				
108	DA00000134	HEX. SOCKET HEAD BOLT M5X30		4				
109	DA00000374	HANDLE HOLDER 3		1				
110	DA00000665	HANDLE HOLDER 2		1				
111	DA00000130	NUT M5		4				
112	DA00000627	ELBOW PIPE,SHAFT COMPL		1				
113	DA00000662	LABEL,CAUTION		1				
114	DA00000633	PROTECTOR CLAMP		1				
115	DA00000634	CROSSRECESS BOLT M6X30		2				
116	DA00000410	SOCKET HEAD BOLT M5X12(SW)		1				
117	DA00000630	PROTECTOR ASSY		1				
118	DA00000631	CUTTER		1				
119	DA00000632	TAPPING SCREW, ST5X20		1				
120	DA00000641	INNER SNAP RING		1				
121	DA00000636	SQUARE HOLE SHAFT		1				
122	DA00000638	BALL BEARING 608ZT		1				
123	DA00000640	SHAFT SLEEVE		1				
124	DA00000637	BALL BEARING 608RS		1				
125	DA00000649	SQUARE HOLE SHAFT ASS'Y		1				
D10		INC. 121-124						
126	DA00000137	SOCKET HEAD BOLT M5X25		1				
127	DA00000635	BEARING CASE		1				
128	DA00000642	WASHER 16X8.3X2.2		1				
129	DA00000643	SPRING WASHER		1				
130	DA00000639	SPOOL BASE		1				
131	DA00000660	CUTTER BODY		1				
132	DA00000644	LINE HOLE		2				
133	DA00000647	WASHER 39.5X27.2X0.8		1				

# Mallinumero LT27 PETROL STRING TRIMMER

Sivu 4 / 5

Nimike	Osanumero	Kuvaus	I/C nu	MÄÄRÄ	N/O	Opt. 1	Opt. 2	HUOMAUTUS
134	DA00000165	SPRING		1				
135	DA00000647	WASHER 39.5X27.2X0.8		1				
136	DA00000648	SPRING ASS'Y		1				
D10		INC. 133-135						
137	DA00000645	REEL		1				
138	DA00000715	NYLON LINE PA66,ORANGE,2.6MX2		1				
139	DA00000646	BODY CAP		1				
140	DA00000659	NYLON CUTTING HEAD ASS'Y		1				
D10		INC. 131,132,136-139						
141	DA00000457	WRENCH,SOCKET HEAD M5		1				
142	DA00000458	TOOL		1				
143	DA00000699	SWIVEL		1	*			
143-1	DA00001139	SWIVEL	O	1				
144	DA00000700	WASHER		1	*			
144-1	DA00001140	WASHER	O	1				
145	DA00000701	SCREW		2	*			
145-1	DA00001141	SCREW	O	2				
146	DA00000703	BRACKET,CABLE		1	*			
146-1	DA00001142	BRACKET,CABLE	O	1				
147	DA00000698	VALVE ASSEMBLY-THROTTLE		1	*			
148	DA00000702	RING,SPRING RETAINING		1	*			
148-1	DA00001114	STOP RING E-3	O	1				
149	DA00000704	BODY ASSEMBLY		1	*			
150	DA00000705	GASKET,PUMP		1	*			
150-1	DA00001143	GASKET,PUMP	O	1				
151	DA00000706	DIAPHRAGM,PUMP		1	*			
151-1	DA00001144	DIAPHRAGM,PUMP	O	1				
152	DA00000708	SCREEN,INLET		1	*			
152-1	DA00001146	SCREEN,INLET	O	1				
153	DA00000707	BODY ASSEMBLY,PUMP		1	*			
D10		INC. 152			*			
153-1	DA00001145	BODY ASSEMBLY,PUMP	O	1				
D10		INC. 152						
154	DA00000709	GASKET,METERING DIAPHRAGM		1	*			
154-1	DA00001147	GASKET,METERING DIAPHRAGM	O	1				
155	DA00000710	DIAPHRAGM ASSY,METERING		1	*			
155-1	DA00001148	DIAPHRAGM ASSY,METERING	O	1				
156	DA00000711	BODY ASSEMBLY,AIR PURGE		1	*			
156-1	DA00001116	BRACKET CABLE	O	1				
157	DA00000712	PUMP,PRIMER		1	*			
157-1	DA00001149	PUMP,PRIMER	O	1				
158	DA00000713	COVER,PRIMER PUMP		1	*			
158-1	DA00001150	COVER,PRIMER PUMP	O	1				
159	DA00000714	SCREW		4	*			
159-1	DA00001151	SCREW	O	4				
160	DA00000772	SPARK ARRESTER		1				
161	DA00000773	NUT		2				
162	DA00000449	CRANKCASE 2 ASS'Y		1				

