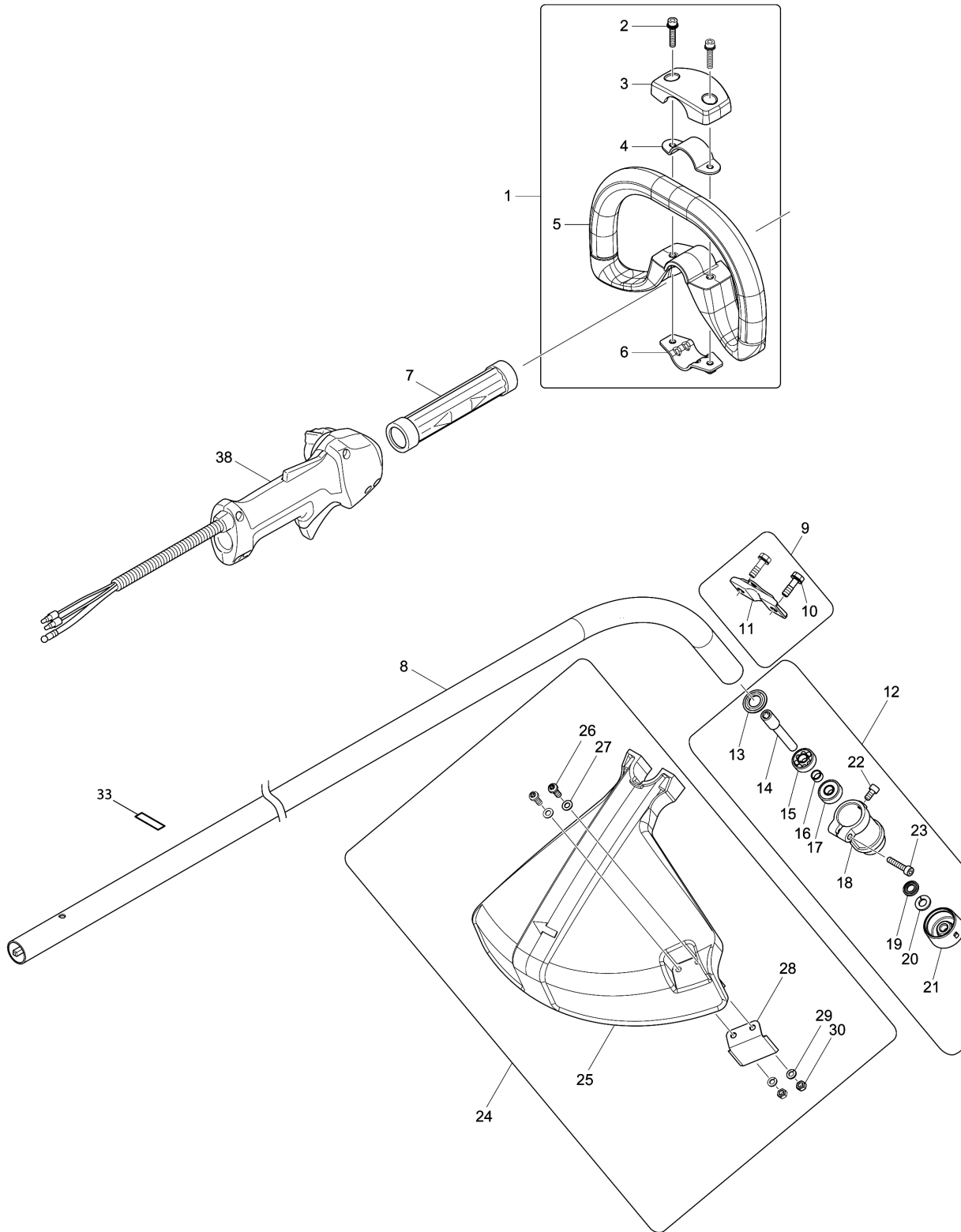
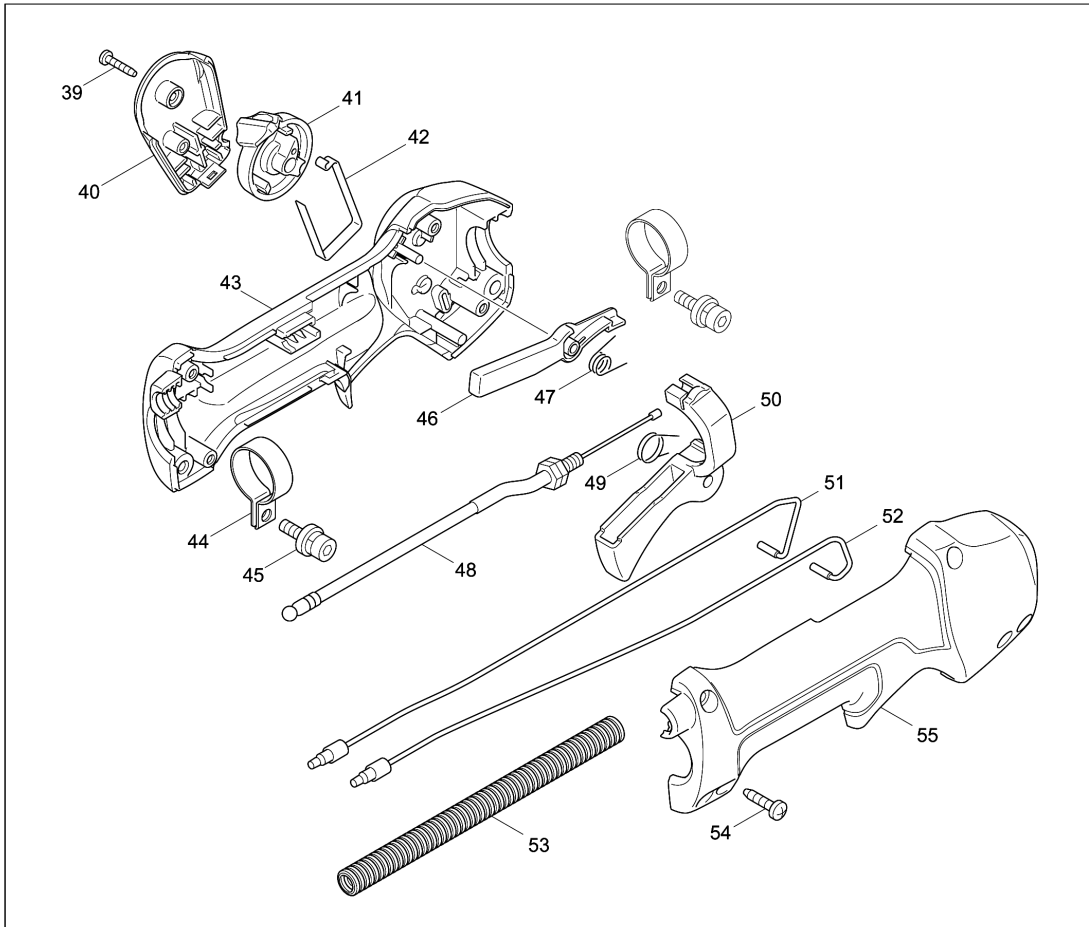


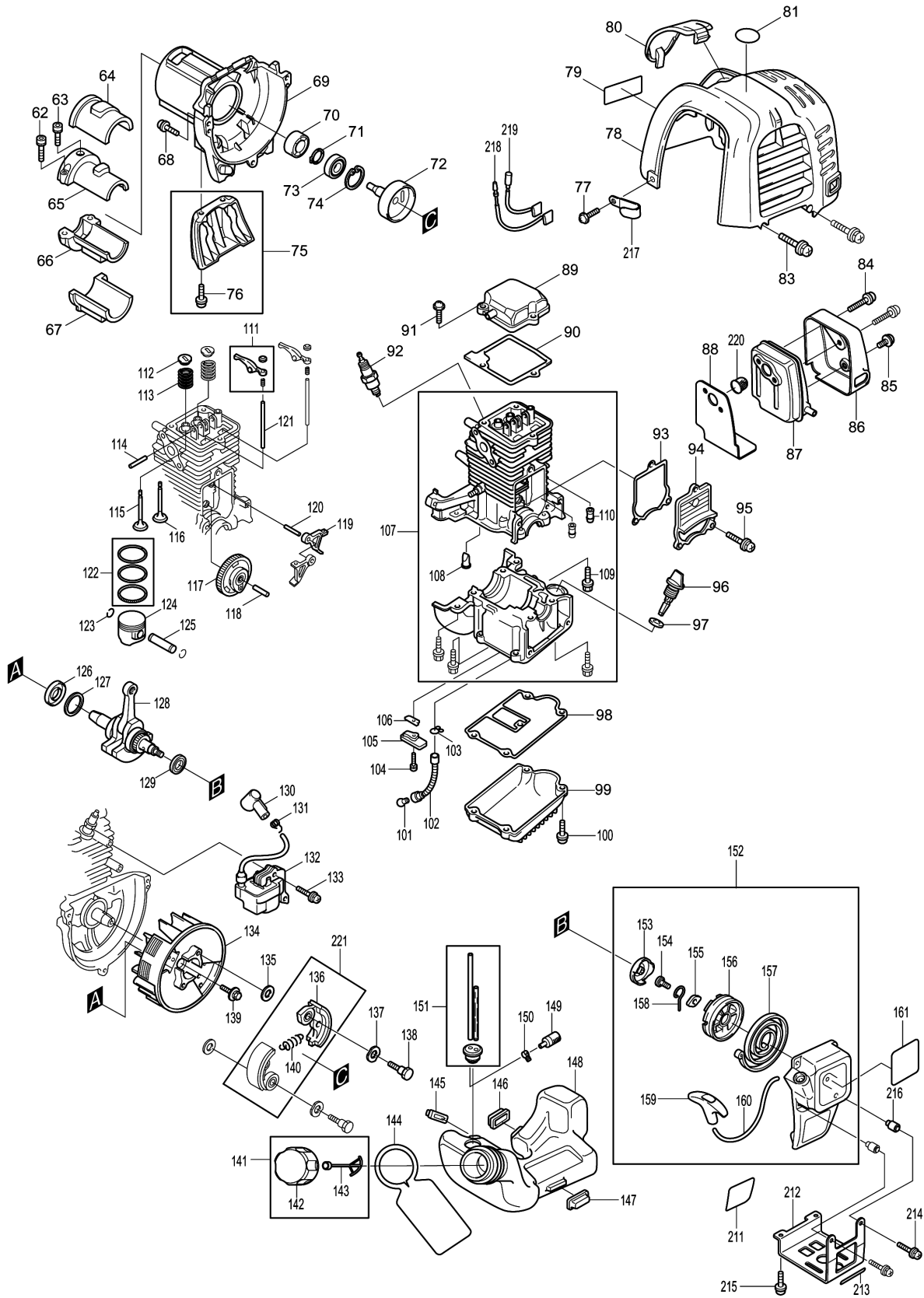
Model No.LT245.4 PETROL STRING TRIMMER



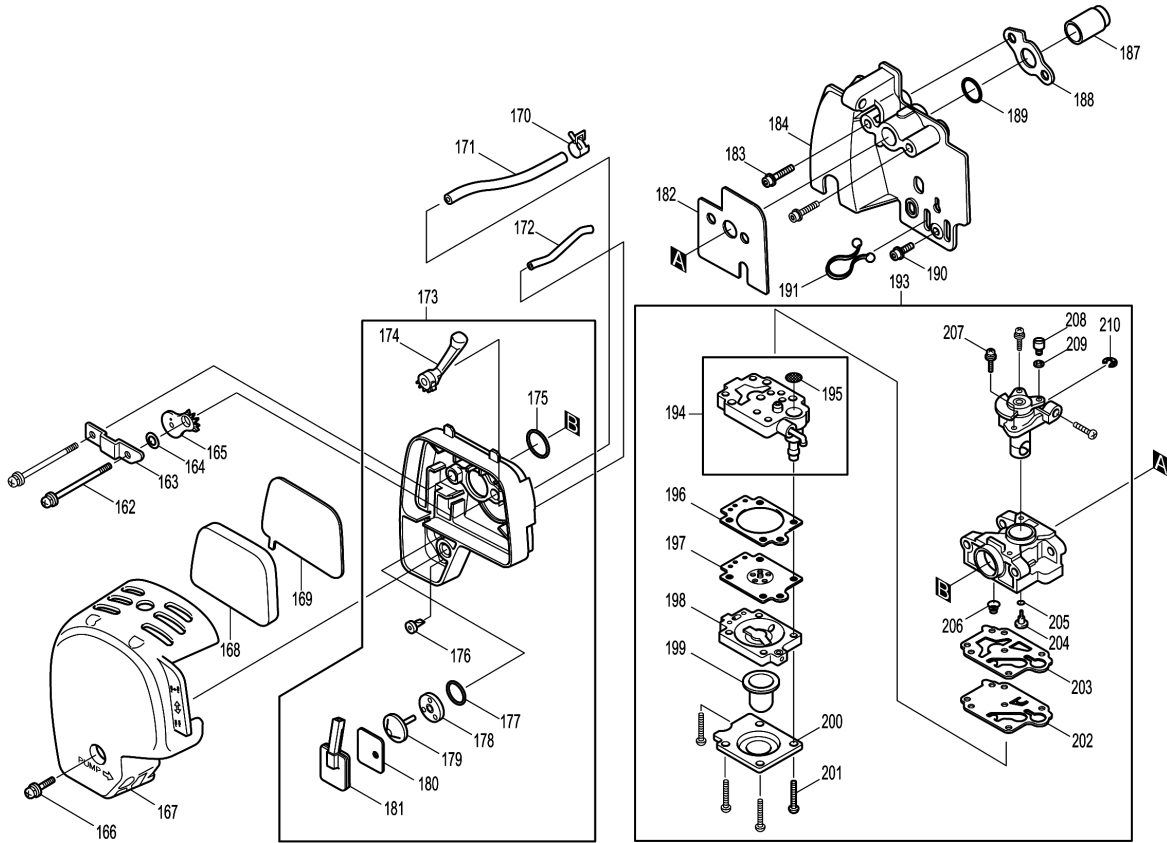
Model No.LT245.4 PETROL STRING TRIMMER



Model No.LT245.4 PETROL STRING TRIMMER



Model No.LT245.4 PETROL STRING TRIMMER



Model No.LT245.4 PETROL STRING TRIMMER

Item	Parts No.	Description	I/C	Qty	New/Old	Opt. 1	Opt. 2	Note
001	195626-2	LOOP HANDLE SET		1				
D10		INC. 2-6						
002	922243-3	HEX. SOCKET HEAD BOLT M5X25		2				
003	452843-0	CLAMP COVER B		1				
004	346468-9	CLAMP 33		1	*			
004-1	346468-9	CLAMP 33	O	1				
005	452841-4	LOOP HANDLE		1				
006	346467-1	CLAMP 24		1	*			
006-1	346467-1	CLAMP 24	O	1	*			
006-2	347094-7	CLAMP 24	O	1				
007	450659-7	SPACER		1				
008	141512-5	BENT PIPE COMPLETE		1				
C10	893146-7	CAUTION LABEL		1				
009	141014-1	CLAMP COMPLETE		1				
D10		INC. 10,11			*			
010	266775-3	HEX BOLT M6X20 WR		2	*			
011	346469-7	CLAMP		1	*			
012	141013-3	HEAD CASE COMPLETE		1	*			
D10		INC. 13-23			*			
012-1	141894-5	HEAD CASE COMPLETE	S	1				
D10		INC. 14-21,23						
013	267845-1	BEARING WASHER		1	*			
013-1	267845-1	BEARING WASHER	O	1				
014	326195-4	CUTTER SHAFT		1				
015	211368-1	BALL BEARING 608ZZ		1				
016	257335-2	COLLAR		1				
017	211367-3	BALL BEARING 608DDW		1				
018	318900-3	HEAD CASE		1				
019	267844-3	WASHER		1				
020	267846-9	SPRING WASHER M8		1				
021	318901-1	CUTTER HOLDER		1				
022	922207-7	HEX. SOCKET HEAD BOLT M5X10		1	*			
022-1	922207-7	HEX. SOCKET HEAD BOLT M5X10	O	1				
023	922242-5	HEX. SOCKET HEAD BOLT M5X25		1				
024	141015-9	PROTECTOR COMPLETE		1				
D10		INC. 25-30						
025	453782-7	SAFETY COVER		1				
026	266776-1	SCREW M5X14		2				
027	267842-7	WASHER M5		2				
028	346612-8	CUTTER		1				

Model No.LT245.4 PETROL STRING TRIMMER

Item	Parts No.	Description	I/C	Qty	New/Old	Opt. 1	Opt. 2	Note
029	267843-5	SPRING WASHER M5		2				
030	264079-7	NUT M5		2				
033	819760-1	DATE CODE LABEL		1	*			
033-1	801D20-9	SERIAL NO. LABEL	<	1				
034	819430-2	CAUTION TAG		1				
038	125759-9	CONTROL LEVER ASSEMBLY		1	*			
D10		INC. 39-55			*			
038-1	126487-9	CONTROL LEVER ASSEMBLY	<	1				
D10		INC. 39-55						
039	266130-9	TAPPING SCREW BIND PT 3X16		1				
040	451595-0	SWITCH COVER		1				
041	451594-2	SWITCH LEVER		1				
042	232251-9	LEAF SPRING		1				
043	188832-6	LEVER CASE SET		1				
D10		INC. 55						
044	346248-3	CLAMP 24		2	*			
044-1	346248-3	CLAMP 24	O	2				
045	922218-2	H.S.H.BOLT M5X14 WITH WR		2				
046	451593-4	LOCK LEVER		1				
047	233541-3	TORSION SPRING 7		1				
048	168549-7	CONTROL CABLE		1				
049	233540-5	TORSION SPRING 11		1				
050	451592-6	THROTTLE LEVER		1	*			
050-1	455313-8	THROTTLE LEVER	<	1				
051	638676-9	LEAD UNIT		1				
052	638677-7	LEAD UNIT		1				
053	451602-9	CORRUGATE TUBE		1				
054	266326-2	TAPPING SCREW 4X18		4				
055	188832-6	LEVER CASE SET		1				
D10		INC. 43						
062	922226-3	HEX. SOCKET HEAD BOLT M5X18		2				
063	922211-6	HEX. SOCKET HEAD BOLT M5X12		1				
064	424191-7	PIPE DAMPER 1		1				
065	318270-0	PIPE BRACKET 1		1				
066	318271-8	PIPE BRACKET 2		1				
067	424107-2	PIPE DAMPER 2		1				
068	922222-1	HEX. SOCKET HEAD BOLT M5X16		3				
069	318329-3	CLUTCH CASE		1				
070	450569-8	SPACER		1	*			
070-1	450569-8	SPACER	O	1				

Model No.LT245.4 PETROL STRING TRIMMER

Item	Parts No.	Description	I/C	Qty	New/Old	Opt. 1	Opt. 2	Note
071	961052-5	RETAINING RING S-12		1				
072	168710-6	CLUTCH DRUM COMPLETE		1				
073	210111-5	BALL BEARING 6201LLU		1				
074	962151-6	RETAINING RING R-32		1				
075	195144-0	STAND SET		1				
D10		INC. 76						
076	911218-7	PAN HEAD SCREW M5X14		2				
077	911213-7	PAN HEAD SCREW M5X12		2				
078	451261-9	CYLINDER COVER		1				
079	893388-3	DOLMAR LOGO LABEL		1				
080	450568-0	PLUG COVER		1	*			
080-1	452144-6	PLUG COVER	O	1				
083	911128-8	P.H.SCREW M4X16 WITH WR		2				
084	266440-4	HEX SOCKET HEAD BOLT M5X40		2				
085	265184-3	+TRUSS HEAD SCREW M5X5		1				
086	345915-7	MUFFLER COVER		1				
087	168469-5	EXHAUST MUFFLER		1				
088	345916-5	MUFFLER GASKET		1				
089	140023-7	ROCKER COVER COMPLETE		1	*			
089-1	140B46-7	ROCKER COVER COMPLETE	<	1				
090	162275-0	ROCKER COVER GASKET		1				
091	922223-9	H.S.H.BOLT M5X16 WITH WR		3				
092	168534-0	SPARK PLUG		1				
093	162274-2	CAM GEAR COVER GASKET		1				
094	318443-5	CAM GEAR COVER		1				
095	922217-4	HEX. SOCKET HEAD BOLT M5X14		3				
096	450565-6	OIL GAUGE		1				
097	424100-6	GASKET		1				
098	162276-8	CASE GASKET		1				
099	318442-7	OIL CASE		1				
100	922217-4	HEX. SOCKET HEAD BOLT M5X14		4				
101	325666-8	OIL WEIGHT		1				
102	424202-8	OIL TUBE		1				
103	282020-8	HOSE CLAMP		1				
104	922112-8	HEX. SOCKET HEAD BOLT M4X10		1				
105	318440-1	RETAINER PLATE		1				
106	346083-9	LEAD VALVE		1				
107	135375-9	CYLINDER BLOCK ASSEMBLY		1				
D10		INC. 108-110						
108	424201-0	CHECK VALVE		2				

Model No.LT245.4 PETROL STRING TRIMMER

Item	Parts No.	Description	I/C	Qty	New/Old	Opt. 1	Opt. 2	Note
109	922217-4	HEX. SOCKET HEAD BOLT M5X14		8				
110	424200-2	SPACER		2				
111	125554-7	ROCKER ARM ASSEMBLY		2				
112	325668-4	SPRING RETAINER		2				
113	234108-0	COMPRESSION SPRING 9		2				
114	256200-2	PIN 5		1				
115	325670-7	INTAKE VALVE		1	*			
115-1	326367-1	INTAKE VALVE	O	1				
116	325669-2	EXHAUST VALVE		1	*			
116-1	326366-3	EXHAUST VALVE	O	1				
117	125552-1	CAM GEAR ASSEMBLY		1				
118	268238-5	PIN 5		1				
119	313169-4	CAM LIFTER		2				
120	268239-3	PIN 4		1				
121	256865-0	ROD 2.5		2				
122	195145-8	PISTON RING SET		1	*			
122-1	196595-0	PISTON RING SET	O	1				
123	233976-8	CLIP		2				
124	318441-9	PISTON		1				
125	257781-9	PISTON PIN		1				
126	213147-3	OIL SEAL 12		1	*			
126-1	213089-1	OIL SEAL 12	<	1				
127	267400-9	FLAT WASHER 23		1				
128	135374-1	CRANKSHAFT ASSEMBLY		1	*			
128-1	135539-5	CRANKSHAFT ASSEMBLY	O	1				
129	213148-1	OIL SEAL 10		1	*			
129-1	213769-9	OIL SEAL 10	<	1				
130	424105-6	PLUG CAP		1				
131	324891-8	PLUG CAP SPRING		1				
132	168501-5	IGNITION COIL		1	*			
132-1	168816-0	IGNITION COIL	S	1				
133	922138-0	H.S.H.BOLT M4X20 WITH WR		2				
134	318343-9	FLYWHEEL		1	*			
134-1	319012-5	FLYWHEEL	O	1				
135	267812-6	WASHER 6		2				
136	168498-8	CLUTCH SHOE		2	*			
136-1	161332-1	CLUTCH SHOE	O	2				
137	267817-6	WASHER 8		2				
138	266457-7	SHOULDER HEX. BOLT M6X25		2	*			
138-1	266864-4	SHOULDER HEX. BOLT M6X25	O	2				
139	265577-4	HEX HEAD BOLT M6X16		1				
140	231858-8	TENSION SPRING 6		1	*			

Please order the parts with part number.

Print Date 31/3/2020

Model No.LT245.4 PETROL STRING TRIMMER

Item	Parts No.	Description	I/C	Qty	New/Old	Opt. 1	Opt. 2	Note
140-1	231881-3	TENSION SPRING 7	<	1				
141	125472-9	FUEL TANK CAP ASSEMBLY		1				
D10		INC. 142,143						
142	140435-4	FUEL TANK CAP		1				
143	140436-2	STRAP COMPLETE		1				
144	810455-9	CAUTION PLATE		1				
145	424102-2	PLATE		1				
146	424103-0	PLATE		1				
147	424104-8	DAMPER		1				
148	450566-4	FUEL TANK		1				
149	163447-0	FUEL FILTER		1	*			
149-1	163447-0	FUEL FILTER	O	1				
150	345920-4	HOSE CLAMP		1				
151	168472-6	TUBE COMPLETE		1				
152	195146-6	RECOIL STARTER SET		1				
D10		INC. 153-160						
153	168483-1	PULLEY		1				
154	266585-8	TAPPING SCREW 5X12		1				
155	451938-6	COLLAR		1				
156	451937-8	REEL		1				
157	232258-5	SPIRAL SPRING		1				
158	325923-4	SWING ARM		1				
159	424319-7	STARTER KNOB		1				
160	444019-3	STARTER ROPE		1				
161	893143-3	LT-245.4 MODEL NO. LABEL		1				
162	265188-5	+PAN HEAD SCREW M5X68		2				
163	345919-9	PLATE		1				
164	423376-2	GASKET		1				
165	450560-6	CHOKE PLATE		1				
166	911218-7	PAN HEAD SCREW M5X14		1				
167	450561-4	AIR CLEANER COVER		1				
168	443141-3	AIR CLEANER ELEMENT		1				
169	443140-5	AIR CLEANER ELEMENT		1				
170	345918-1	HOSE CLAMP		1				
171	422041-0	BREATHING PIPE		1				
172	422042-8	PIPE		1				
173	125468-0	CLEANER PLATE ASSEMBLY		1				
C10	140814-6	AIR CLEANER PLATE COMPLETE		1				
D10		INC. 174-181						
174	451925-5	CHOKE LEVER		1				
175	213540-1	O RING 15		1				
176	424316-3	CHECK VALVE		1				

Please order the parts with part number.

Print Date 31/3/2020

Model No.LT245.4 PETROL STRING TRIMMER

Item	Parts No.	Description	I/C	Qty	New/Old	Opt. 1	Opt. 2	Note
177	213539-6	O RING 14		1				
178	451924-7	CHECK VALVE PLATE		1				
179	424315-5	CHECK VALVE		1				
180	168577-2	SEPARATOR GASKET		1				
181	168576-4	SEPARATOR PLATE		1				
182	413121-3	CARBURETOR GASKET		1				
183	922228-9	H.S.H.BOLT M5X18 WITH WR		2				
184	450559-1	INSULATOR		1				
187	324961-3	INTAKE PIPE		1				
188	413120-5	INSULATOR GASKET		1				
189	213078-6	O-RING 10		1				
190	922213-2	H.S.H.BOLT M5X12 WITH WR		1				
191	450562-2	CLAMP		1				
193	168497-0	CARBURETOR		1				
D10		INC. 194,196-210						
194	140437-0	PUMP BODY		1				
D10		INC. 195						
195	352010-6	INLET SCREEN		1	*			
195-1	WJ00014070	INLET SCREEN	O	1				
196	442154-1	METERING DIAPHRAGM GASKET		1				
197	168574-8	METERING DIAPHRAGM		1	*			
197-1	WJ00963279	SCREW	O	1	*			
197-2	WJ00095586	DIAPHRAGM ASS'Y	X	1				
198	140438-8	AIR PURGE BODY		1				
199	424314-7	PRIMER PUMP		1				
200	346270-0	PRIMER PUMP COVER		1				
201	266582-4	TAPPING SCREW 3X24		4				
202	168575-6	PUMP DIAPHRAGM		1	*			
202-1	WJ00009599	PUMP DIAPHRAGM	O	1				
203	442155-9	PUMP GASKET		1				
204	325924-2	JET		1				
205	213538-8	O RING 2		1				
206	234183-6	CONICAL COMPRESSION SPRING 5-9		1				
207	266581-6	PAN HEAD SCREW M3X8 WITH W		2	*			
207-1	WJ00096364	SCREW M3X8 WITH WASHER	O	2				
208	325922-6	SWIVEL		1				
209	413140-9	WASHER		1				
210	257964-1	STOP RING E-3		1				
211	806902-6	GAS EMISSION APPROVAL LABEL		1	*			
211-1	806902-6	GAS EMISSION APPROVAL LABEL	O	1	*			

Model No.LT245.4 PETROL STRING TRIMMER

Item	Parts No.	Description	I/C	Qty	New/Old	Opt. 1	Opt. 2	Note
212	345964-4	TANK GUARD		1				
213	814998-3	SERIAL LABEL		1				
214	911148-2	PAN HEAD SCREW M4X25		2				
215	911213-7	PAN HEAD SCREW M5X12		2				
216	331835-1	SPACER		2				
217	345963-6	CLAMP		1				
218	638664-6	LEAD UNIT		1	*			
218-1	632E38-3	LEAD UNIT	S	1				
219	638665-4	LEAD UNIT		1	*			
219-1	632E39-1	LEAD UNIT	S	1				
220	324980-9	SPARK ARRESTER		1				
221	125518-1	CLUTCH ASSEMBLY		1	*			
D10		INC. 136,140			*			
221-1	126135-0	CLUTCH ASSEMBLY	<	1				
D10		INC. 136,140						
A01	123164-4	TRIMMER HEAD ASSEMBLY 95-M8R		1				
A02	195502-0	OIL SET		1	*			
A02-1	196122-3	OIL SET	O	1	*			
A02-2	195502-0	OIL SET	O	1	*			
A02-3	196122-3	OIL SET	O	1				
A03	831315-2	ACCESSORY BAG		1				
A04	256530-1	PIN 4		1				
A05	782233-6	BOX DRIVER 10-16		1				
A06	783223-2	HEX. WRENCH 4		1				

Please order the parts with part number.

Print Date 31/3/2020