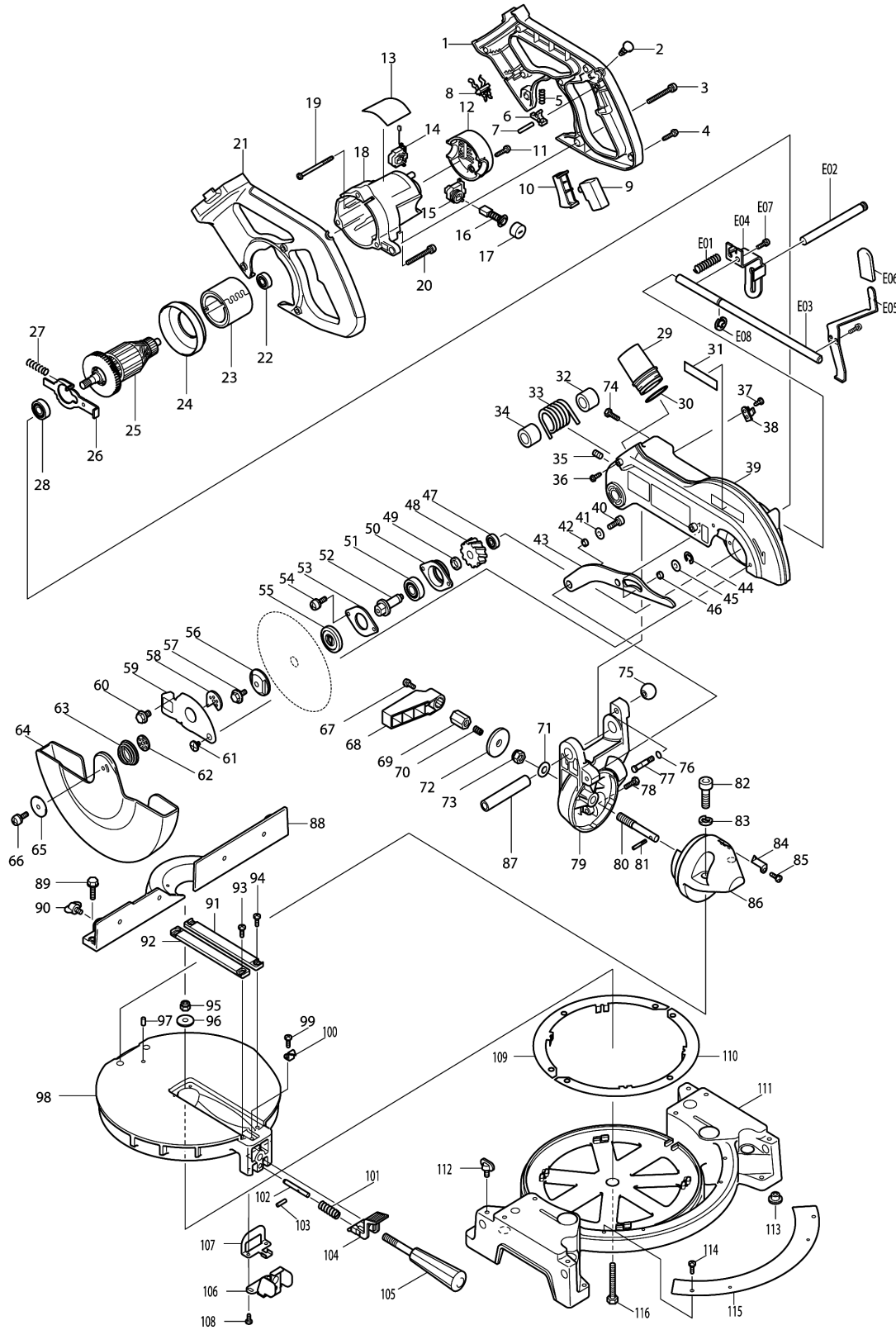


Model No.LS800D CORDLESS MITER SAW 216MM



Model No.LS800D CORDLESS MITER SAW 216MM

Item	Parts No.	Description	I/C	Qty	New/Old	Opt. 1	Opt. 2	Note
001	183096-7	HANDLE SET		1				
C10	817320-3	CAUTION LABEL		1				
D10		INC. 21						
002	411478-6	SWITCH BUTTON		1				
003	911268-2	PAN HEAD SCREW M5X45		3				
004	265995-6	TAPPING SCREW 4X18		5				
005	231026-3	COMPRESSION SPRING 4		1				
006	416533-9	LOCK OFF LEVER		1				
007	256098-7	PIN 5		1				
008	643918-8	BATTERY HOLDER		1				
009	651956-6	SWITCH TG72BD		1				
010	416534-7	SWITCH LEVER		1				
011	265995-6	TAPPING SCREW 4X18		2				
012	416639-3	REAR COVER		1				
013	851615-4	NAME PLATE LS800D		1				
014	643946-3	BRUSH HOLDER		1				
015	643945-5	BRUSH HOLDER		1				
016	191970-5	CARBON BRUSH CB-429		1	*			
016-1	191976-3	CARBON BRUSH CB-432	<	1	*			
016-2	194435-6	CARBON BRUSH CB-441	<	1				
017	643941-3	BRUSH HOLDER CAP		2				
018	416909-0	MOTOR HOUSING		1				
019	266209-6	TAPPING SCREW 4X60		2				
020	911268-2	PAN HEAD SCREW M5X45		3				
021	183096-7	HANDLE SET		1				
C10	817320-3	CAUTION LABEL		1				
D10		INC. 1						
022	211026-9	BALL BEARING 627LLB		1	*			
022-1	210025-8	BALL BEARING 627LLB	O	1	*			
022-2	210023-2	BALL BEARING 627DDW	O	1				
023	632828-4	YOKE UNIT		1				
024	416907-4	BAFFLE PLATE		1				
025	519050-9	ARMATURE ASS'Y		1				
D10		INC. 22,28						
026	344681-3	SHAFT LOCK		1				
027	233092-6	COMPRESSION SPRING 5		1				
028	211061-7	BALL BEARING 6000LLB		1	*			
028-1	211088-7	BALL BEARING 6000DDW	O	1				
029	416133-5	DUST NOZZLE		1	*			
029-1	419277-0	DUST NOZZLE	O	1				
030	213460-9	O RING 35		1				
031	819003-1	MAKITA LABEL		1				

Please order the parts with part number.

Print Date 2/7/2019

Model No.LS800D CORDLESS MITER SAW 216MM

Item	Parts No.	Description	I/C	Qty	New/Old	Opt. 1	Opt. 2	Note
032	416905-8	SLEEVE 17-23		1				
033	231644-7	TORSION SPRING 28		1				
034	416905-8	SLEEVE 17-23		1				
035	251961-9	H.S.SET SCREW(FLAT POINT)M6X10		2				
036	266061-2	TAPPING SCREW BIND CT 4X8		1				
037	266026-4	TAPPING SCREW BIND CT 4X12		1				
038	416536-3	WRENCH HOLDER		1				
039A_	183097-5	BLADE CASE		1	*			
C10	263002-9	RUBBER PIN 4		1	*			
C20	263005-3	RUBBER PIN 6		1	*			
C30	810968-0	CAUTION LABEL		1	*			
C40	817667-5	CAUTION LABEL		1	*			
D10		INC. 31			*			
039A1	183097-5	BLADE CASE	X	1	*			
C10	263002-9	RUBBER PIN 4		1	*			
C20	263005-3	RUBBER PIN 6		1	*			
C30	810968-0	CAUTION LABEL		1	*			
C40	817667-5	CAUTION LABEL		1	*			
D10		INC. 31			*			
039A2	188079-2	BLADE CASE	<	1				
C10	263002-9	RUBBER PIN 4		1				
C20	263005-3	RUBBER PIN 6		1				
C30	810968-0	CAUTION LABEL		1				
C40	817667-5	CAUTION LABEL		1				
D10		INC. 31						
040	922331-6	HEX. SOCKET HEAD BOLT M6X20		1				
041	253804-1	FLAT WASHER 6		1				
042	257163-5	RING 6		1				
043	344776-2	LINK PLATE		1	*			
043-1	344776-2	LINK PLATE	O	1				
044	961018-5	STOP RING E-5		1				
045	253804-1	FLAT WASHER 6		1				
046	257163-5	RING 6		1				
047	211021-9	BALL BEARING 607LLB		1				
048	226512-7	HELICAL GEAR 60		1				
049	257011-8	RING 12		1				
050	317193-9	BEARING BOX		1				
051	211129-9	BALL BEARING 6201DDW		1				
052	323798-5	SPINDLE		1				
053	285694-4	BEARING RETAINER 58		1				
054	911223-4	PAN HEAD SCREW M5X16		2				

Please order the parts with part number.

Print Date 2/7/2019

Model No.LS800D CORDLESS MITER SAW 216MM

Item	Parts No.	Description	I/C	Qty	New/Old	Opt. 1	Opt. 2	Note
055A_	224363-2	INNER FLANGE 45		1				
056A_	224362-4	OUTER FLANGE 45		1				
057	265461-3	HEX.BOLT M6X18		1				
058	344640-7	CENTER PLATE		1	*			
058-1	344640-7	CENTER PLATE	O	1	*			
058-2	345410-7	CENTER PLATE	<	1				
059	344641-5	CENTER COVER		1				
060	265260-3	HEX. FLANGE HEAD BOLT M6X12		1	*			
060-1	265473-6	HEX.BOLT M6X14	X	1				
061	265008-3	+ FLAT HEAD SCREW M5		1				
062	344639-2	CENTER WASHER		1	*			
062-1	344639-2	CENTER WASHER	O	1				
063	231934-8	SPIRAL SPRING 26		1				
064	416908-2	SAFETY COVER		1	*			
064-1	419481-1	SAFETY COVER	O	1				
065	267136-0	FLAT WASHER 5		1				
066	911233-1	PAN HEAD SCREW M5X20		1				
067	911118-1	PAN HEAD SCREW M4X12		1				
068	416006-2	LEVER 100		1				
069	252144-4	HEX. NUT M10-17		1				
070	231266-3	COMPRESSION SPRING 5		1				
071	253024-7	FLAT WASHER 10		1				
072	267196-2	FLAT WASHER 10		1				
073	252130-5	HEX. LOCK NUT M10-17		1				
074	265381-1	HEX. BOLT M6X16		1				
075	271601-3	KNOB 20		1				
076	213021-5	O RING 5		1				
077	322338-6	STOPPER PIN		1				
078	265381-1	HEX. BOLT M6X16		2				
079	151655-5	ARM COMPLETE		1				
C10	816353-5	BEVEL SCALE LABEL		1				
080	266221-6	SCREW M10		1				
081	256761-2	PIN 5		1				
082	922557-0	HEX. SOCKET HEAD BOLT M10X35		2				
083	942251-8	SPRING WASHER 10		2				
084	416355-7	INDICATION PLATE		1				
085	911118-1	PAN HEAD SCREW M4X12		1				
086	317251-1	SUB ARM		1				
087	323888-4	ROD 16-100		1				
088	317250-3	GUIDE FENCE		1				
089	921341-0	HEX. BOLT M6X25		4	*			

Please order the parts with part number.

Print Date 2/7/2019

Model No.LS800D CORDLESS MITER SAW 216MM

Item	Parts No.	Description	I/C	Qty	New/Old	Opt. 1	Opt. 2	Note
089-1	265489-1	HEX. BOLT M6X25	O	4				
090	251887-5	SCREW M6X10		1				
091	416906-6	KERF BOARD		1				
092	416906-6	KERF BOARD		1				
093	266026-4	TAPPING SCREW BIND CT 4X12		2				
094	266026-4	TAPPING SCREW BIND CT 4X12		2				
095	252105-4	HEX. LOCK NUT M8-13		1				
096	253731-2	FLAT WASHER 8		1				
097	256040-8	PIN 5		1				
098	317197-1	TURN BASE		1				
099	266026-4	TAPPING SCREW BIND CT 4X12		1				
100	416904-0	INDICATION PLATE		1				
101	231402-1	COMPRESSION SPRING 7		1				
102	323741-4	LOCK PIN		1				
103	256158-5	PIN 3		1				
104	416450-3	LOCK LEVER		1				
105	273495-2	GRIP 32		1				
106	344602-5	SUPPORT PLATE		1				
107	344601-7	LOCK PLATE		1				
108	266026-4	TAPPING SCREW BIND CT 4X12		2				
109	344646-5	SLIDE PLATE		1				
110	344646-5	SLIDE PLATE		1				
111	151657-1	BASE COMPLETE		1				
C10	810965-6	CAUTION LABEL		1				
C20	817283-3	CAUTION LABEL		2				
112	251887-5	SCREW M6X10		2				
113	286212-1	CAP 20		5				
114	266026-4	TAPPING SCREW BIND CT 4X12		2				
115	816347-0	MITER SCALE PLATE		1				
116	921477-5	HEX. BOLT M8X55		1				
A01	782223-9	SOCKET WRENCH		1				
A02A	414938-7	BATTERY COVER		1				
A02B	414938-7	BATTERY COVER		1				
A02C	414938-7	BATTERY COVER		2				
A02D	414938-7	BATTERY COVER		1				
A03	323726-0	HOLDER 160		2				
A04	411478-6	SWITCH BUTTON		2				
A05	762001-3	TRIANGULAR RULE		1				
A06	122523-9	DUST BAG ASS'Y		1	*			
C10	410602-8	FASTENER		1	*			

Please order the parts with part number.

Print Date 2/7/2019

Model No.LS800D CORDLESS MITER SAW 216MM

Item	Parts No.	Description	I/C	Qty	New/Old	Opt. 1	Opt. 2	Note
A06-1	122852-0	DUST BAG ASS'Y	O	1				
C10	410602-8	FASTENER		1				
A07	122571-8	VICE ASS'Y		1				
C10	316938-2	WISE ARM		1				
C20	251887-5	SCREW M6X10		1				
C30	322313-2	WISE ROD		1				
C40	265733-6	THUMB SCREW M10X60		1				
C50	253804-1	FLAT WASHER 6		1				
C60	343651-9	WISE PLATE		1				
C70	251370-2	+ PAN HEAD SCREW M5		1				
A08	***DC1801	DC1801 BATTERY CHARGER		1	*			
A08-1	***DC1803	DC1803 BATTERY CHARGER	<	1	*			
A08-2	***DC1804	DC1804 BATTERY CHARGER	O	1				
A09A	192827-3	BATTERY 1822 SET		1				
A09A_B	192829-9	BATTERY 1833		1				
A09B_C	193102-0	NI-MH(2.6A) BATTERY 1834 SET		2				
A09B_D	193102-0	NI-MH(2.6A) BATTERY 1834 SET		1				
A10	A-86169	T.C.T.SAW BLADE 216X30X40T		1				
A11	192932-6	SUB PLATE ASS'Y		1				
C10	252162-2	SQUARE WELD NUT M6		1				
C20	921321-6	HEX. BOLT M6X16		1				
C30	941151-9	FLAT WASHER 6		1				
E01	231043-3	COMPRESSION SPRING 8		1				
E02	323906-8	LOCK PIN 8		1				
E03	323907-6	ROD 8		1	*			
E03-1	323907-6	ROD 8	X	1				
E04	344806-9	LOCK PLATE		1				
E05	344807-7	LOCK LEVER		1	*			
E05-1	345710-5	LOCK LEVER	<	1				
E06	421589-9	CAP		1				
E07	911113-1	PAN HEAD SCREW M4X10 WITH WR		7				
E08	961012-7	STOP RING E-6		1				

Please order the parts with part number.

Print Date 2/7/2019