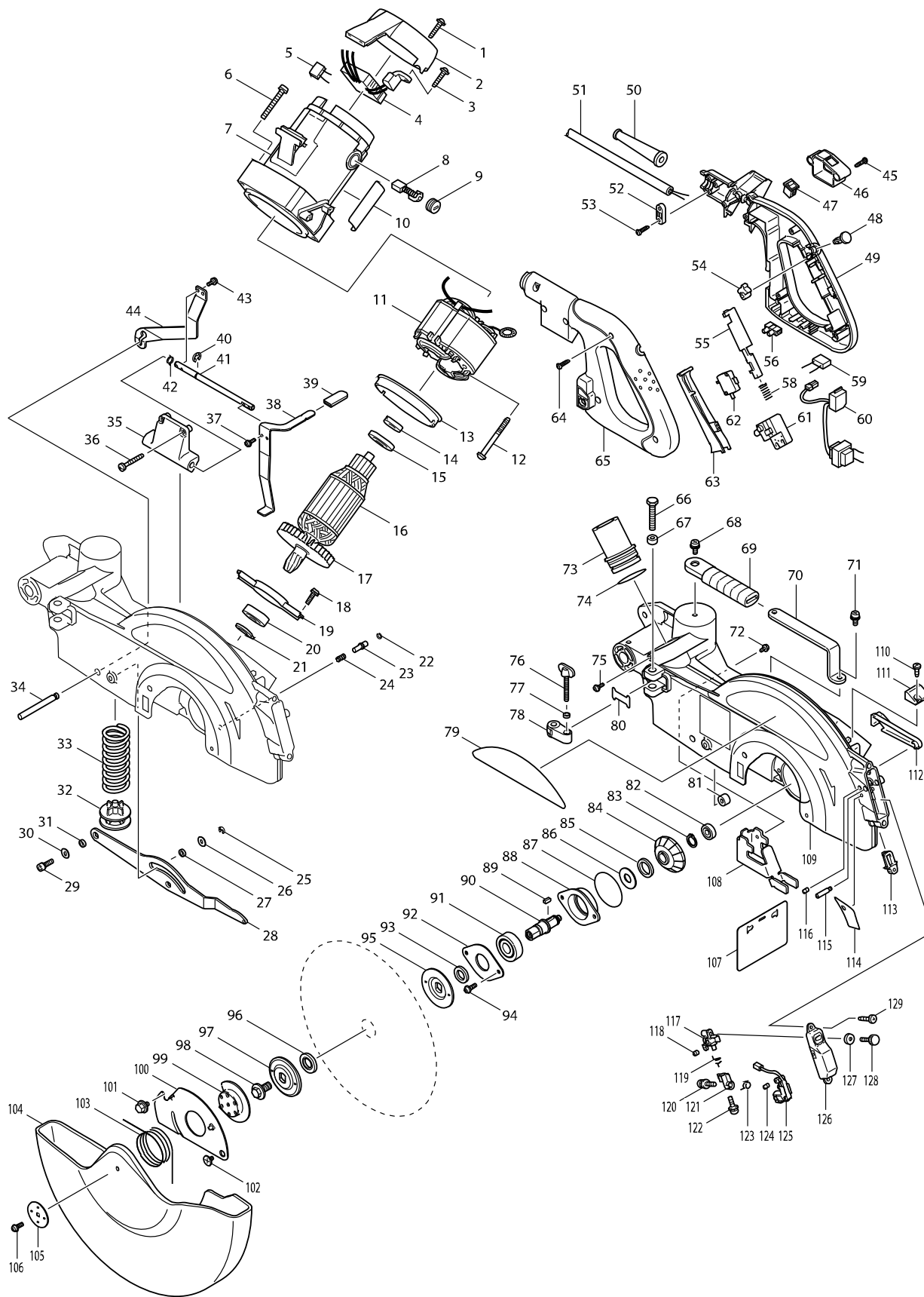
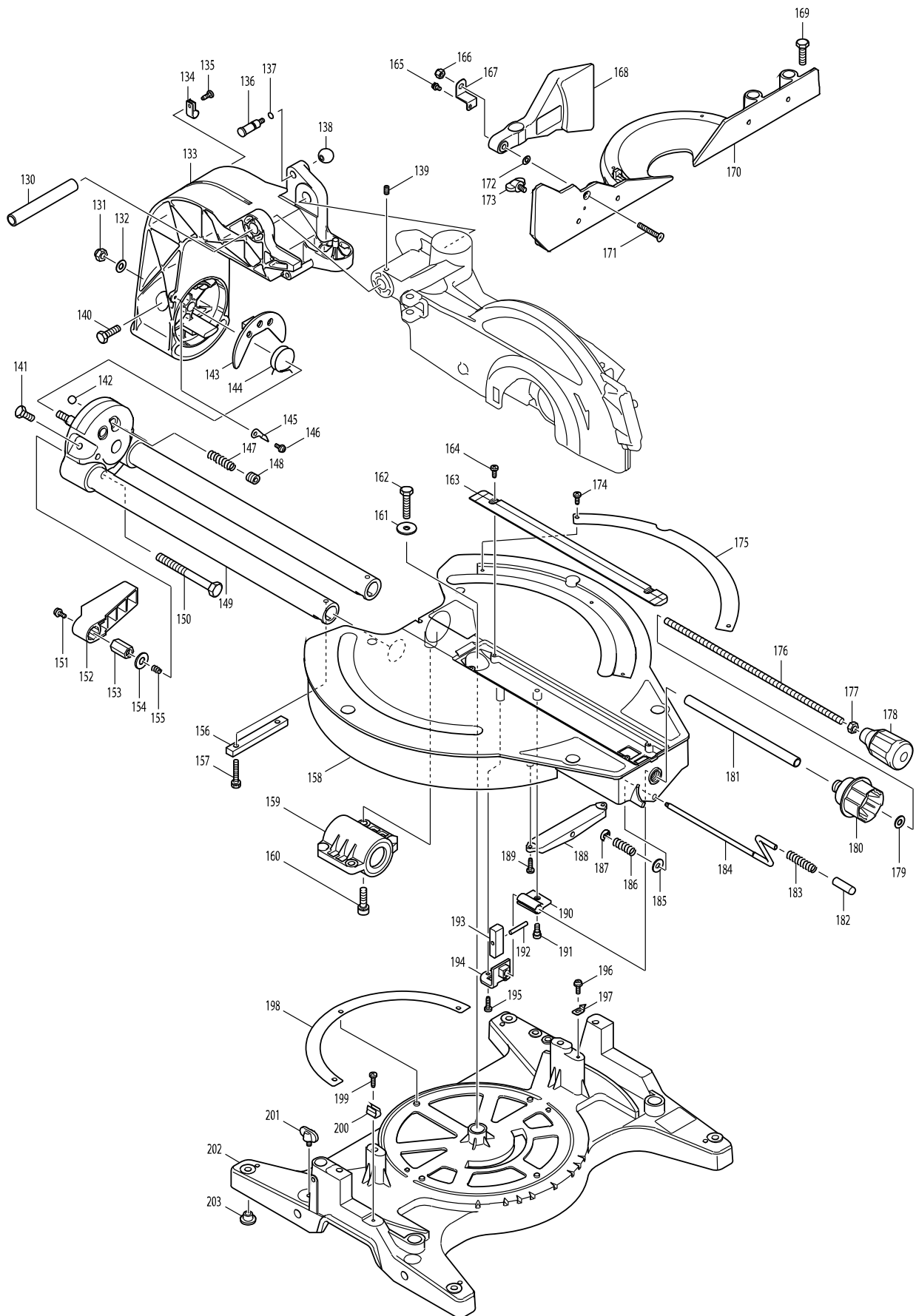


Model No. LS1214L SLIDE COMPOUND SAW 305MM



Model No. LS1214L SLIDE COMPOUND SAW 305MM



Item	Parts No.	Description	I/C	Qty	N/O	Opt. 1	Opt. 2	Note
001	265995-6	TAPPING SCREW 4X18		2				
002	416075-3	REAR COVER		1				
003	265995-6	TAPPING SCREW 4X18		1				
004	631238-2	CONTROLLER		1				
005	645105-5	NOISE SUPPRESSOR		1				
006	911373-5	PAN HEAD SCREW M6X50		4				
007	154718-6	MOTOR HOUSING COMPLETE		1				
C10	643660-1	BRUSH HOLDER 6.5-13.5		2				
C20	810966-4	CAUTION LABEL		1				
C30	817320-3	CAUTION LABEL		1				
008	181044-0	CARBON BRUSH CB-153		1				
009	643650-4	BRUSH HOLDER CAP 6.5-13.5		2	*			
009-1	643650-4	BRUSH HOLDER CAP 6.5-13.5	O	2				
010	861578-6	LS1214L NAME PLATE		1				
011	599508-4	FIELD ASS'Y 220-240V		1				
C10	654020-2	RING TERMINAL		2				
C20	654502-4	CONNECTOR P-2		2				
012	266059-9	TAPPING SCREW 5X75		2				
013	416264-0	BAFFLE PLATE		1				
014	211061-7	BALL BEARING 6000LLB		1				
015	681642-5	INSULATION WASHER		1				
016	516933-4	ARMATURE ASS'Y 220V		1				
D10		INC. 14,15,17						
017	240001-8	FAN 80		1				
018	911223-4	PAN HEAD SCREW M5X16		2				
019	285686-3	BEARING RETAINER 94		1				
020	211251-2	BALL BEARING 6003LLB		1				
021	961057-5	RETAINING RING S-17		1				
022	231928-3	RING SPRING 8		1				
023	256633-1	PIN 6		1				
024	231240-1	COMPRESSION SPRING 7		1				
025	961018-5	STOP RING E-5		1				
026	253804-1	FLAT WASHER 6		1				
027	257163-5	RING 6		1				
028	345605-2	LINK PLATE		1				
029	922331-6	HEX. SOCKET HEAD BOLT M6X20		1				
030	253804-1	FLAT WASHER 6		1				
031	257163-5	RING 6		1				
032	316470-6	SPRING HOLDER		1				
033	233454-8	COMPRESSION SPRING 34		1				
034	324649-5	LOCK PIN 8		1				
035	419075-2	ROD HOLDER		1				
036	266050-7	TAPPING SCREW 4X30		2				
037	911113-1	PAN HEAD SCREW M4X10 WITH WR		2	*			
037-1	922107-1	HEX. SOCKET HEAD BOLT M4X8	S	2				
038	345607-8	LOCK LEVER		1	*			
038-1	345826-6	LOCK LEVER	<	1				
039	421589-9	CAP		1				

Item	Parts No.	Description	I/C	Qty	N/O	Opt. 1	Opt. 2	Note
040	961012-7	STOP RING E-6		2				
041	324608-9	ROD 8		1				
042	231633-2	TORSION SPRING 8		1				
043	911113-1	PAN HEAD SCREW M4X10 WITH WR		2				
044	345609-4	LOCK PLATE		1				
045	265995-6	TAPPING SCREW 4X18		2				
046	154541-9	SWITCH BOX COMPLETE		1				
C10	817540-9	LASER BEAM LABEL		1				
047	651522-9	SWITCH SLE6A		1				
048	411478-6	SWITCH BUTTON		1				
049	183980-6	HANDLE SET		1				
D10		INC. 65						
050	682540-6	CORD GUARD 9.3-90		1	*			
050-1	682505-8	CORD GUARD 10-90	O	1				
051	665865-3	POWER SUPPLY CORD 1.0-2-2.5		1				
052	687052-4	STRAIN RELIEF		1				
053	265995-6	TAPPING SCREW 4X18		2				
054	414546-4	CAM		1				
055	416000-4	LOCK OFF LEVER		1				
056	654575-7	TERMINAL BLOCK		1				
058	231457-6	COMPRESSION SPRING 3		1				
059	645200-1	NOISE SUPPRESSOR		1				
060	631617-4	POWER SUPPLY CIRCUIT		1				
061	651923-1	SWITCH TG70B		1				
062	651941-9	SWITCH V-15-2A5		1				
063	415999-0	SWITCH LEVER		1				
064	265995-6	TAPPING SCREW 4X18		6				
065	183980-6	HANDLE SET		1				
D10		INC. 49						
066	921467-8	HEX. BOLT M8X45		1				
067	262003-4	RUBBER RING 6		1				
068	911323-0	PAN HEAD SCREW M6X16		1				
069	421562-9	GRIP		1				
070	344420-1	GRIP HOLDER		1				
071	911323-0	PAN HEAD SCREW M6X16		1				
072	911114-9	PAN HEAD SCREW M4X10		1				
073	419277-0	DUST NOZZLE		1				
074	213460-9	O RING 35		1				
075	911113-1	PAN HEAD SCREW M4X10 WITH WR		1				
076	265717-4	SCREW M6X43		1				
077	262001-8	URETHANE RING 5		1				
078	317176-9	STOPPER ARM		1				
079	819215-6	MAKITA LOGO LABEL		1				
080	344045-1	STOPPER ARM PLATE		1				
081	421952-6	CUSHION		1				
082	211031-6	BALL BEARING 608LLB		1				
083	961054-1	RETAINING RING S-14		1				
084	226750-1	SPIRAL BEVEL GEAR 35		1				

Item	Parts No.	Description	I/C	Qty	N/O	Opt. 1	Opt. 2	Note
085	262074-1	RUBBER RING 20		1				
086	267035-6	FLAT WASHER 14		1				
087	213675-8	O RING 54		1				
088	316473-0	BEARING BOX		1				
089	254202-2	KEY 4		1				
090	322989-5	SPINDLE		1				
091	211278-2	BALL BEARING 6203DDW		1				
092	285828-9	BEARING RETAINER 66		1				
093	257022-3	RING 16		1				
094	911223-4	PAN HEAD SCREW M5X16		2				
095	224398-3	FLANGE 61		1				
096	257262-3	RING 16		1				
097	224398-3	FLANGE 61		1				
098	265405-3	HEX. FLANGE HEAD BOLT M10X20		1				
099	344473-0	CENTER PLATE		1				
100	345603-6	CENTER COVER		1				
101	265324-3	HEX. FLANGE HEAD BOLT M8X12		1				
102	265008-3	+ FLAT HEAD SCREW M5		1				
103	231691-8	TORSION SPRING 45		1				
104	419074-4	SAFETY COVER		1				
105	253977-0	FLAT WASHER 6		1				
106	911218-7	PAN HEAD SCREW M5X14		1				
107	421916-0	GUARD		1				
108	345611-7	GUARD PLATE		1				
109	188023-9	BLADE CASE SET		1				
C10	810064-4	LASER BEAM CAUTION LABEL		1				
C20	810968-0	CAUTION LABEL		1				
C30	816847-0	OPERATIONAL INDICATION LABEL		1				
C40	810354-5	LASER BEAM LABEL		1				
D10		INC. 79						
110	266026-4	TAPPING SCREW BIND CT 4X12		1				
111	419078-6	LEAD COVER HOLDER		1				
112	419077-8	LEAD COVER		1				
113	418104-8	LENS		1				
114	801262-1	LASER LABEL		1	*			
114-1	804293-9	LASER LABEL	S	1				
115	266306-8	SHOULDER SCREW M5		1				
116	266229-0	H.S.SET SCREW(CUP POINT)M5X8		2				
117	418107-2	BLOCK C		1	*			
117-1	419379-2	BLOCK C	S	1				
118	266318-1	H.S.SET SCREW(FLAT POINT)M4X6		1				
119	231664-1	TORSION SPRING 9		1				
120	911014-3	PAN HEAD SCREW M3X10		1	*			
120-1	911003-8	PAN HEAD SCREW M3X6	S	1				
121	418106-4	BLOCK B		1	*			
121-1	419378-4	BLOCK B	S	1				
122	911014-3	PAN HEAD SCREW M3X10		1	*			
122-1	911003-8	PAN HEAD SCREW M3X6	S	1				

Item	Parts No.	Description	I/C	Qty	N/O	Opt. 1	Opt. 2	Note
123	231664-1	TORSION SPRING 9		1				
124	266318-1	H.S.SET SCREW(FLAT POINT)M4X6		1				
125	638356-7	LASER CIRCUIT COMPLETE		1	*			
125-1	638442-4	LASER CIRCUIT COMPLETE	S	1				
126	418108-0	TOP COVER		1	*			
126-1	419380-7	TOP COVER	S	1				
127	253807-5	FLAT WASHER 5		1				
128	265753-0	THUMB SCREW M5X24		1				
129	266042-6	TAPPING SCREW BIND CT 4X20		2				
130	331428-4	PIN 16-113		1	*			
130-1	331428-4	PIN 16-113	O	1				
131	252105-4	HEX. LOCK NUT M8-13		1				
132	941201-0	FLAT WASHER 8		1				
133	317984-8	ARM		1				
134	687042-7	STRAIN RELIEF		1				
135	266026-4	TAPPING SCREW BIND CT 4X12		1				
136	322629-5	STOPPER PIN		1				
137	213011-8	O RING 7		1				
138	271601-3	KNOB 20		1				
139	251961-9	H.S.SET SCREW(FLAT POINT)M6X10		1				
140	265455-8	HEX. BOLT M8X28		2				
141	265412-6	HEX. BOLT M8X20		2				
142	216003-6	STEEL BALL 10		2				
143	345418-1	GUIDE PLATE		1				
144	231626-9	TORSION SPRING 28		1				
145	413067-3	INDICATION PLATE		2				
146	911114-9	PAN HEAD SCREW M4X10		2				
147	233168-9	COMPRESSION SPRING 5		2				
148	266131-7	H.S.SET SCREW(FLATPOINT)M12X12		2				
149	151459-5	ARM HOLDER COMPLETE		1				
C10	816771-7	BEVEL SCALE LABEL		1				
150	251662-9	HEX. BOLT M10X100		1				
151	911113-1	PAN HEAD SCREW M4X10 WITH WR		1				
152	416006-2	LEVER 100		1				
153	252144-4	HEX. NUT M10-17		1				
154	253024-7	FLAT WASHER 10		1				
155	231266-3	COMPRESSION SPRING 5		1				
156	152542-1	SQUARE ROD COMPLETE		1				
C10	263005-3	RUBBER PIN 6		1				
157	921356-7	HEX. BOLT M6X35		2				
158	153832-5	TURN BASE COMPLETE		1				
C10	211444-1	LINEAR BALL BEARING 3064		1				
C20	219002-7	BEARING 30		1				
C30	262048-2	FELT RING 30		2				
C40	263005-3	RUBBER PIN 6		1				
C50	343676-3	CAP		1				
C60	817283-3	CAUTION LABEL		2				
159	152540-5	BEARING BOX B COMPLETE		1				

Item	Parts No.	Description	I/C	Qty	N/O	Opt. 1	Opt. 2	Note
C10	211444-1	LINEAR BALL BEARING 3064		1				
C20	262048-2	FELT RING 30		2				
C30	343676-3	CAP		2				
C40	316837-8	BEARING BOX (B)		1				
160	922451-6	HEX. SOCKET HEAD BOLT M8X30		2				
161	253852-0	FLAT WASHER 8		1				
162	265442-7	HEX. BOLT M8X40		1				
163	419222-5	KERF BOARD		2				
164	266026-4	TAPPING SCREW BIND CT 4X12		4				
165	911108-4	PAN HEAD SCREW M4X8		1				
166	252014-7	HEX. LOCK NUT M6-10		1				
167	344463-3	SUB FENCE PLATE		1				
168	153890-1	SUB FENCE COMPLETE		1				
C10	810967-2	CAUTION LABEL		1				
169	265488-3	HEX. BOLT M8X30		4				
170	317757-9	GUIDE FENCE		1				
171	912357-6	COUNTERSUNK HEAD SCREW M6X35		1				
172	253715-0	FLAT WASHER 6		1				
173	251887-5	SCREW M6X10		1				
174	266026-4	TAPPING SCREW BIND CT 4X12		2				
175	816326-8	MITER SCALE PLATE		1				
176	266132-5	SCREW M8X320		1				
177	931402-8	HEX. NUT M8		1				
178	271314-6	GRIP 40		1				
179	941201-0	FLAT WASHER 8		1				
180	152541-3	KNOB 48 COMPLETE		1				
181	331491-7	PIN 9-200		1	*			
181-1	331491-7	PIN 9-200	O	1				
182	421563-7	CAP 10		1				
183	322924-3	COIL SPRING		1				
184	322909-9	LOCK PIN		1				
185	253804-1	FLAT WASHER 6		1				
186	231307-5	COMPRESSION SPRING 6		1				
187	961018-5	STOP RING E-5		1				
188	316899-6	PIN HOLDER		1				
189	266034-5	TAPPING SCREW CT 4X16		2				
190	344411-2	SLIDE STOPPER		1				
191	251267-5	+ PAN HEAD SCREW M6		1				
192	256196-7	PIN 5		1				
193	331493-3	TURN STOPPER		1				
194	344412-0	STOPPER HOLDER		1				
195	266034-5	TAPPING SCREW CT 4X16		1				
196	266026-4	TAPPING SCREW BIND CT 4X12		1				
197	816128-2	POINTER		1				
198	344477-2	SLIDE PLATE		2				
199	266034-5	TAPPING SCREW CT 4X16		1				
200	232075-3	LEAF SPRING		1				
201	251887-5	SCREW M6X10		2				

