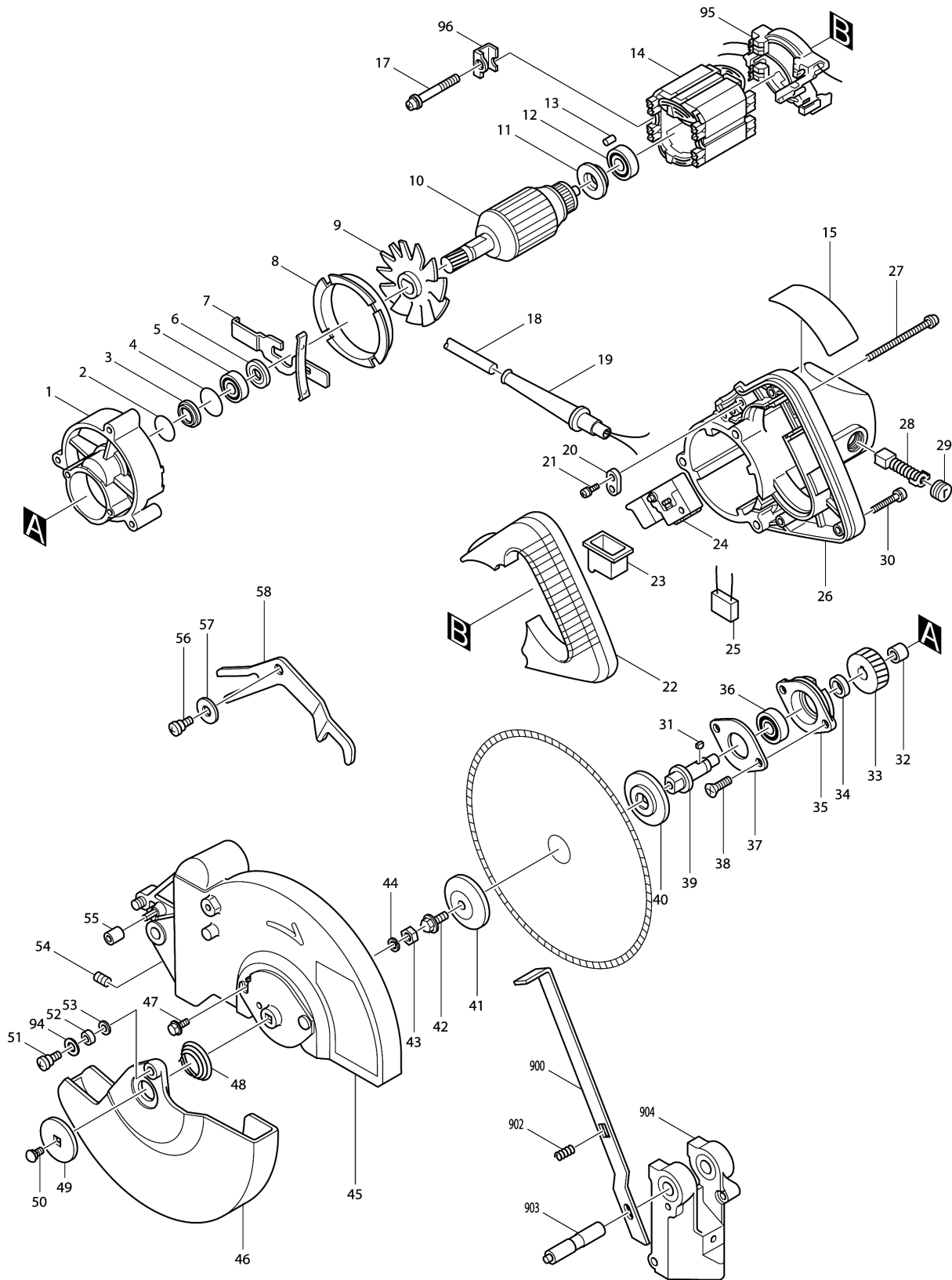
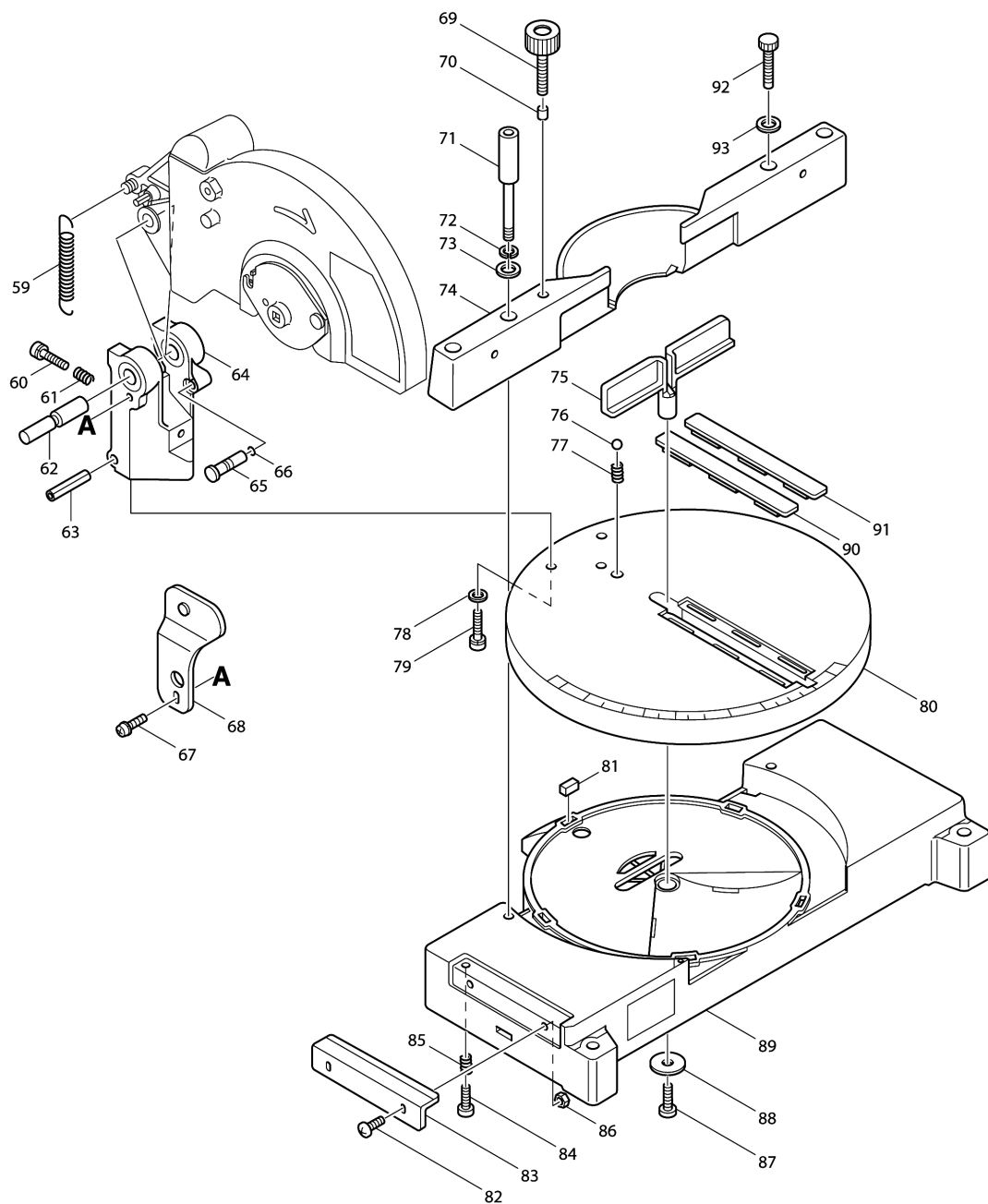


Model No.LS0810 MITER SAW 210MM



Model No.LS0810 MITER SAW 210MM



Model No.LS0810 MITER SAW 210MM

Item	Parts No.	Description	I/C	Qty	New/Old	Opt. 1	Opt. 2	Note
001	157402-2	GEAR HOUSING		1				
D10		INC. 4						
002	213407-3	O RING 26		1				
003	343318-9	WASHER 23		1				
004	213406-5	O RING 30		1				
005	211066-7	BALL BEARING 6200LLB		1				
006	253769-7	FLAT WASHER 10		1				
007	163109-0	SHAFT LOCK		1				
008	343319-7	BAFFLE PLATE		1				
009-2	241838-6	FAN 68		1	*			
009-3	240007-6	FAN 68	O	1				
010A_	512867-9	ARMATURE ASS'Y 200V		1				
D10		INC. 5,6,9,11,12						
011	681625-5	INSULATION WASHER		1				
012	211031-6	BALL BEARING 608LLB		1				
013	263014-2	RUBBER PIN 4		1				
014E_	528776-2	FIELD ASS'Y 220V		1	*			
014E1	634133-5	FIELD 220V	X	1				
015	855942-1	NAME PLATE LS0810		1				
017-1	911285-2	PAN HEAD SCREW M5X60		2				
018Z_	665865-3	POWER SUPPLY CORD 1.0-2-2.5		1				
019B_	682516-3	CORD GUARD 9.3-85		1	*			
019B1	682504-0	CORD GUARD 10-85	O	1				
020C_	687031-2	STRAIN RELIEF		1				
021	911133-5	PAN HEAD SCREW M4X18		2				
022	410650-7	HANDLE COVER		1				
023	421142-1	SWITCH COVER		1				
024	651333-2	SWITCH SGE210R-1		1	*			
024-1	651245-9	SWITCH SGE115F-1	X	1				
025D1	645200-1	NOISE SUPPRESSOR		1				
026D_	159839-9	MOTOR HOUSING		1				
C10	643603-3	BRUSH HOLDER 6-10		2	*			
C11	643609-1	BRUSH HOLDER 6-10	O	2				
C20	810811-3	CAUTION LABEL		1				
D10		INC. 13						
027	911293-3	PAN HEAD SCREW M5X70		3				
028B_	181030-1	CARBON BRUSH CB-100		1				
029	643600-9	BRUSH HOLDER CAP 6-10		2				
030	911148-2	PAN HEAD SCREW M4X25		4				
031	254011-9	WOODRUFF KEY 4		1				
032	212004-2	NEEDLE BEARING 810		1				
033	221602-1	HELICAL GEAR 44		1				

Please order the parts with part number.

Print Date 2/7/2019

Model No.LS0810 MITER SAW 210MM

Item	Parts No.	Description	I/C	Qty	New/Old	Opt. 1	Opt. 2	Note
034	257010-0	RING 12		1				
035	315875-7	BEARING BOX		1				
036	211106-1	BALL BEARING 6201LLB		1	*			
036-1	211144-3	BALL BEARING 6201LLB	O	1	*			
036-2	211106-1	BALL BEARING 6201LLB	O	1				
037	285659-6	BEARING RETAINER 48		1				
038	251316-8	+ COUNTERSUNK HEAD SCREW M4X20		2				
039	321904-6	SPINDLE		1				
040	224233-5	INNER FLANGE 45		1				
041	224234-3	OUTER FLANGE 45		1				
042	265226-3	HEX. FLANGE HEAD BOLT M6X17		1				
043	931202-6	HEX. NUT M5		1				
044	942101-7	SPRING WASHER 5		1				
045D_	151446-4	BLADE CASE		1	*			
C10	810816-3	CAUTION LABEL		1	*			
C20	817667-5	CAUTION LABEL		1	*			
C30	255104-5	RIVET 8		1	*			
C40	343467-2	CENTER COVER		1	*			
C50	256736-1	PIN 8		1	*			
C60	951187-0	SPRING PIN 5-55		1	*			
045D1	154918-8	BLADE CASE COMPLETE	<	1				
C10	810816-3	CAUTION LABEL		1				
C20	817667-5	CAUTION LABEL		1				
C30	255104-5	RIVET 8		1				
C40	343467-2	CENTER COVER		1				
C50	256736-1	PIN 8		1				
C60	951187-0	SPRING PIN 5-55		1				
046-2	414323-4	SAFETY COVER		1	*			
046-3	419479-8	SAFETY COVER	<	1				
047	265323-5	HEX. FLANGE HEAD BOLT M5X10		1				
048	231934-8	SPIRAL SPRING 26		1				
049	253977-0	FLAT WASHER 6		1				
050	923901-4	CAP SQUARE NECK BOLT M5X8		1				
051	251331-2	+ PAN HEAD SCREW M6		1				
052-1	257157-0	RING 8		1				
053-1	253047-5	FLAT WASHER 6		1				
054	265832-4	H.S.SET SCREW(FLAT POINT)M5X8		1				
055	262513-1	RUBBER SLEEVE 5		2				
056	251331-2	+ PAN HEAD SCREW M6		1				
057	253022-1	FLAT WASHER 8		1				

Please order the parts with part number.

Print Date 2/7/2019

Model No.LS0810 MITER SAW 210MM

Item	Parts No.	Description	I/C	Qty	New/Old	Opt. 1	Opt. 2	Note
058	343466-4	GUIDE ARM		1				
059	231771-0	TENSION SPRING 9		2	*			
059-1	231815-6	TENSION SPRING 10	S	2				
060	251210-4	+ PAN HEAD SCREW M5X25		1				
061	231038-6	COMPRESSION SPRING 6		1				
062A_	322110-6	HINGE PIN 12		1				
063	951234-7	SPRING PIN 6-55		1	*			
063-1	951225-8	SPRING PIN 6-40	X	1				
064A_	152311-0	ARM COMPLETE		1				
C10	951157-9	SPRING PIN 5-16		1				
065	321906-2	STOPPER PIN		1				
066	213021-5	O RING 5		1				
067	911216-1	PAN HEAD SCREW M5X14		1				
068	163272-9	SUPPORTER		1				
069	251872-8	SCREW M6X40		1				
070	263003-7	NYLON PIN 5		1				
071	322051-6	BOLT M6		1				
072	942151-2	SPRING WASHER 6		1				
073-1	941151-9	FLAT WASHER 6		2				
074-1	414232-7	GUIDE FENCE		1				
075-1	414233-5	FENCE PLATE		1				
076	216004-4	STEEL BALL 7.9		1				
077	231038-6	COMPRESSION SPRING 6		1				
078	941101-4	FLAT WASHER 5		3				
079	922241-7	HEX. SOCKET HEAD BOLT M5X25		3				
080	315868-4	TURN BASE		1				
081	443067-9	FELT		5				
082	251314-2	+ SCREW M4X12		2				
083	342948-3	ADJUSTING PLATE		1				
084	911246-2	PAN HEAD SCREW M5X28		2				
085	231038-6	COMPRESSION SPRING 6		2				
086	931102-0	HEX. NUT M4		2				
087	912226-1	COUNTERSUNK HEAD SCREW M5X18		1				
088	253930-6	FLAT WASHER 7		1				
089E1	151445-6	BASE COMPLETE		1	*			
C10	214154-9	PLANE BEARING 14		1	*			
C20	810812-1	CAUTION LABEL		1	*			
089E2	154913-8	BASE COMPLETE	<	1				
C10	214154-9	PLANE BEARING 14		1				
C20	810812-1	CAUTION LABEL		1				
090	410645-0	KERF BOARD		1				

Please order the parts with part number.

Print Date 2/7/2019

Model No.LS0810 MITER SAW 210MM

Item	Parts No.	Description	I/C	Qty	New/Old	Opt. 1	Opt. 2	Note
091	410645-0	KERF BOARD		1				
092-1	922376-4	HEX. SOCKET HEAD BOLT M6X55		2				
093-1	941151-9	FLAT WASHER 6		2				
094	253139-0	FLAT WASHER 8		1				
095	632121-6	SUPPORT COMPLETE		1	*			
095-1	632675-3	SUPPORT COMPLETE	X	1				
096	343657-7	RETAINER		2				
097	344631-8	SPRING HOLDER		1				
400	252628-2	WING NUT M6		1				
401	164806-1	HOLDER		1				
402	271271-8	KNOB 40		1				
404-1	122351-2	DUST BAG ASS'Y		1				
405-1	410985-6	FASTENER		1	*			
405-2	410602-8	FASTENER	O	1				
406	782209-3	SOCKET WRENCH 9		1				
407C_	792345-7	T.C.T. SAW BLADE 210		1				
408	122344-9	VICE ASS'Y		1				
409	192932-6	SUB PLATE ASS'Y		1				
900-1	164837-0	LOCK LEVER		1				
901-1	961018-5	STOP RING E-5		1				
902-1	231223-1	COMPRESSION SPRING 6		1				
903	322110-6	HINGE PIN 12		1				
904	152311-0	ARM COMPLETE		1				
905	911138-5	PAN HEAD SCREW M4X20		1				

Please order the parts with part number.

Print Date 2/7/2019