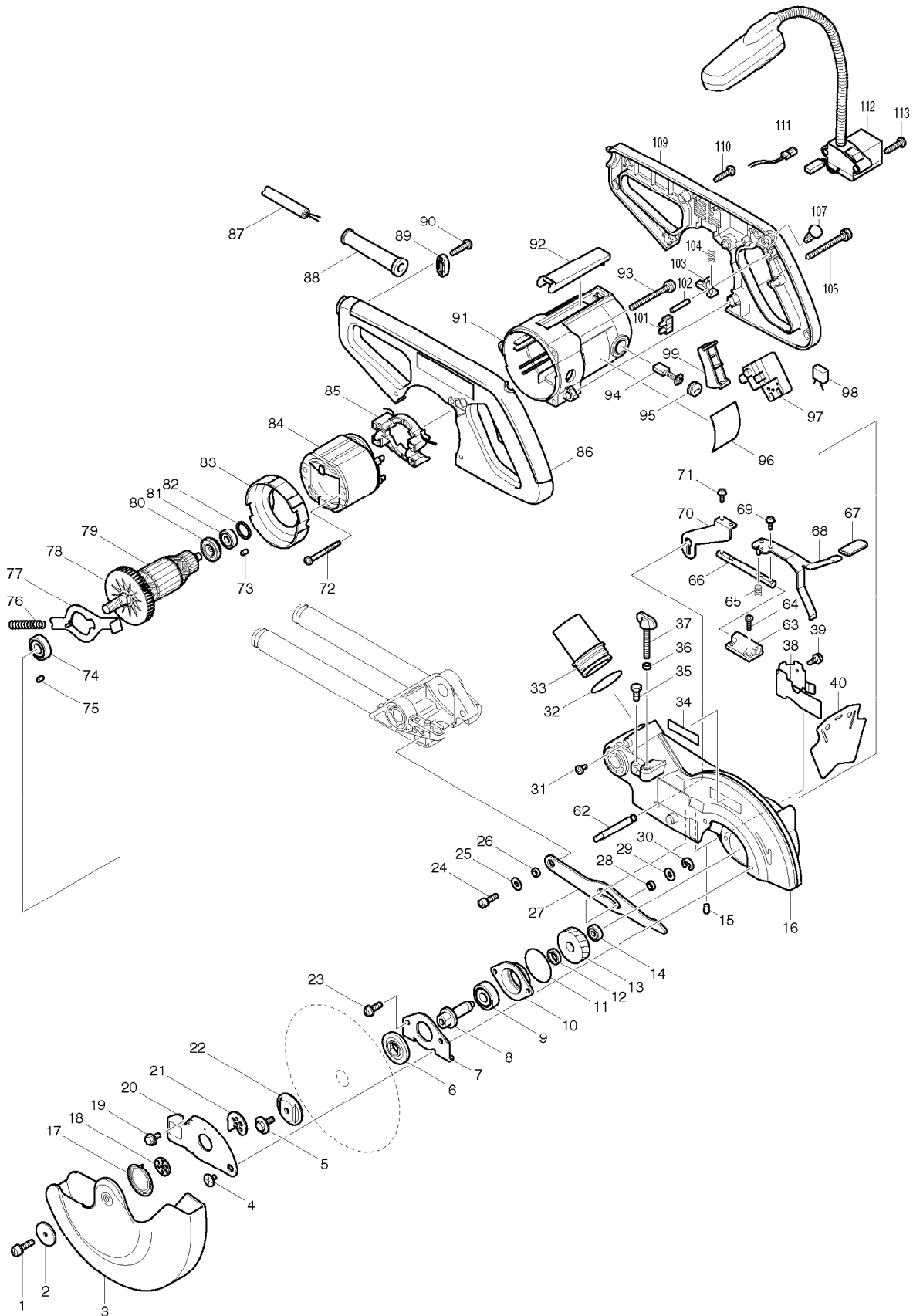


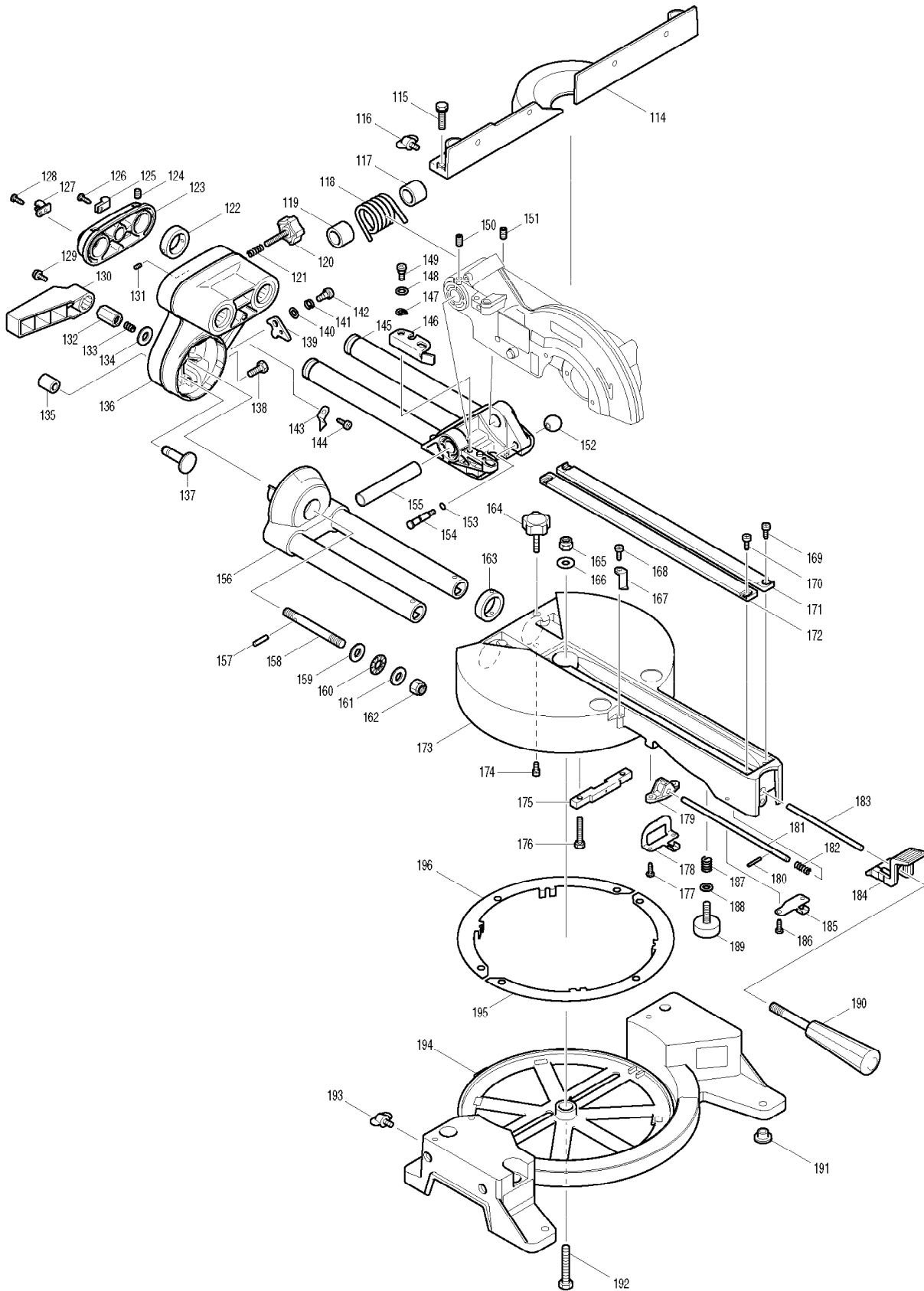
# SERVICE DRAWING

MODEL NO. LS0714F



# SERVICE DRAWING

MODEL NO. LS0714F



# SPARE PARTS LIST

MODEL NO. LS0714F

ITEM	PART NO.	DESCRIPTION	QTY	NOTE
001	911228-4	PAN HEAD SCREW M5X18	1	
002	267136-0	FLAT WASHER 5	1	
003	*****	*****	***	*****
004	265008-3	+ FLAT HEAD SCREW M5	1	
005	265461-3	HEX.BOLT M6X18	1	
006	224397-5	INNER FLANGE 40	1	
007	285715-2	BEARING RETAINER 55	1	
008	323798-5	SPINDLE	1	
009	211129-9	BALL BEARING 6201DDW	1	
010	317037-3	BEARING BOX	1	
011	213565-5	O RING 42	1	
012	257010-0	RING 12	1	
013	226497-7	HELICAL GEAR 47	1	
014	211021-9	BALL BEARING 607LLB	1	
015	263005-3	RUBBER PIN 6	1	
016	*****	*****	***	*****
017	231934-8	SPIRAL SPRING 26	1	
018	*****	*****	***	*****
019	265473-6	HEX.BOLT M6X14	1	
020	344641-5	CENTER COVER	1	
021	*****	*****	***	*****
022	224282-2	OUTER FLANGE 40	1	
023	911223-4	PAN HEAD SCREW M5X16	2	
024	922331-6	HEX. SOCKET HEAD BOLT M6X20	1	
025	253804-1	FLAT WASHER 6	1	
026	257163-5	RING 6	1	
027	*****	*****	***	*****
028	257163-5	RING 6	1	
029	253804-1	FLAT WASHER 6	1	
030	961018-5	STOP RING E-5	1	
031	266061-2	TAPPING SCREW ¥BIND ¥CT ¥4X8	1	
032	213460-9	O RING 35	1	
033	*****	*****	***	*****
034	*****	*****	***	*****
035	265381-1	HEX. BOLT M6X16	1	
036	262001-8	URETHANE RING 5	1	
037	265717-4	SCREW M6X43	1	
038	*****	*****	***	*****
039	911113-1	PAN HEAD SCREW M4X10	1	
040	*****	*****	***	*****
062	324455-8	LOCK PIN	1	
063	418655-1	ROD HOLDER	1	
064	266034-5	TAPPING SCREW CT 4X16	2	
065	231316-4	COMPRESSION SPRING 7	1	
066	324456-6	ROD 8	1	
067	421589-9	CAP	1	
068	*****	*****	***	*****
069	911113-1	PAN HEAD SCREW M4X10	2	
070	345436-9	LOCK PLATE	1	
071	911113-1	PAN HEAD SCREW M4X10	2	
072	266046-8	TAPPING SCREW 5X50	2	
073	263002-9	RUBBER PIN 4	1	
074	211101-1	BALL BEARING 6001LLB	1	
075	263002-9	RUBBER PIN 4	1	
076	233092-6	COMPRESSION SPRING 5	1	
077	344642-3	SHAFT LOCK	1	

# SPARE PARTS LIST

MODEL NO. LS0714F

ITEM	PART NO.	DESCRIPTION	QTY	NOTE
078	240030-1	FAN 70	1	
079	510061-7	ARMATURE ASS'Y 220V	1	
080	681644-1	INSULATION WASHER	1	
081	211031-6	BALL BEARING 608LLB	1	
082	261110-0	URETHANE WASHER 18	1	
083	416537-1	BAFFLE PLATE	1	
084	*****	*****	***	*****
085	638360-6	SUPPORT COMPLETE	1	
086	*****	*****	***	*****
087	665870-0	POWER SUPPLY CORD 1.0-2-3.3	1	
088	682540-6	CORD GUARD 9.3-90	1	
089	*****	*****	***	*****
090	265995-6	TAPPING SCREW 4X18	2	
091	151900-8	MOTOR HOUSING COMPLETE	1	
092	416538-9	UPPER COVER	1	
093	911273-9	PAN HEAD SCREW M5X50	3	
094	191963-2	CARBON BRUSH CB-303	1	
095	643750-0	BRUSH HOLDER CAP	2	
096	*****	*****	***	*****
097	651922-3	SWITCH TG71B	1	
098	645105-5	NOISE SUPPRESSOR	1	
099	416534-7	SWITCH LEVER	1	
101	654532-5	TERMINAL BLOCK 1P	1	
102	256098-7	PIN 5	1	
103	416533-9	LOCK OFF LEVER	1	
104	231026-3	COMPRESSION SPRING 4	1	
105	911273-9	PAN HEAD SCREW M5X50	3	
107	411478-6	SWITCH BUTTON	1	
109	*****	*****	***	*****
110	265995-6	TAPPING SCREW 4X18	5	
111	638068-2	LEAD UNIT	1	
112	125222-2	LIGHT ASS'Y	1	
113	265995-6	TAPPING SCREW 4X18	2	
114	*****	*****	***	*****
115	265489-1	HEX. BOLT M6X25	3	
116	251887-5	SCREW M6X10	1	
117	416535-5	SLEEVE 17	1	
118	231638-2	TORSION SPRING 28	1	
119	416535-5	SLEEVE 17	1	
120	251897-2	SCREW M6X33	1	
121	231325-3	COMPRESSION SPRING 6	1	
122	257214-4	RING 26	1	
123	317617-5	PIPE HOLDER	1	
124	266208-8	H.S.SET SCREW(CUP POINT)M6X8	2	
125	687042-7	STRAIN RELIEF	1	
126	266026-4	TAPPING SCREW BIND CT 4X12	1	
127	416536-3	WRENCH HOLDER	1	
128	266026-4	TAPPING SCREW BIND CT 4X12	1	
129	911113-1	PAN HEAD SCREW M4X10	1	
130	416006-2	LEVER 100	1	
131	913106-4	SET SCREW M4X8	1	
132	252144-4	HEX. NUT M10-17	1	
133	231266-3	COMPRESSION SPRING 5	1	
134	253024-7	FLAT WASHER 10	1	

# SPARE PARTS LIST

MODEL NO. LS0714F

ITEM	PART NO.	DESCRIPTION	QTY	NOTE
135	286236-7	CAP 16	1	
136	153463-0	ARM COMPLETE	1	
137	324295-4	RELEASE PIN	1	
138	265381-1	HEX. BOLT M6X16	2	
139	345299-3	STOPPER PLATE	1	
140	253726-5	FLAT WASHER 6	1	
141	231663-3	TORSION SPRING 8	1	
142	265113-6	+PAN HEAD SCREW M5	1	
143	343678-9	POINTER	1	
144	266026-4	TAPPING SCREW BIND CT 4X12	1	
145	153462-2	FRONT ARM COMPLETE	1	
146	344643-1	STOPPER ARM	1	
147	253948-7	WAVE WASHER 8	1	
148	253835-0	FLAT WASHER 8	1	
149	251267-5	+ PAN HEAD SCREW M6	1	
150	251961-9	H.S.SET SCREW(FLAT POINT)M6X10	1	
151	251961-9	H.S.SET SCREW(FLAT POINT)M6X10	1	
152	271601-3	KNOB 20	1	
153	213021-5	O RING 5	1	
154	324183-5	STOPPER PIN	1	
155	331350-5	PIPE 16-90	1	
156	153482-6	ARM HOLDER COMPLETE	1	
157	256100-6	PIN 5	1	
158	266320-4	SCREW M10	1	
159	253024-7	FLAT WASHER 10	1	
160	216413-7	THRUST NEEDLE CAGE 1024	1	
161	253024-7	FLAT WASHER 10	1	
162	252130-5	HEX. LOCK NUT M10-17	1	
163	257214-4	RING 26	1	
164	251897-2	SCREW M6X33	1	
165	252105-4	HEX. LOCK NUT M8-13	1	
166	253731-2	FLAT WASHER 8	1	
167	416355-7	INDICATION PLATE	1	
168	266026-4	TAPPING SCREW BIND CT 4X12	1	
169	266026-4	TAPPING SCREW BIND CT 4X12	2	
170	266026-4	TAPPING SCREW BIND CT 4X12	2	
171	417993-8	KERF BOARD	1	
172	417993-8	KERF BOARD	1	
173	*****	*****	***	*****
174	922111-0	HEX. SOCKET HEAD BOLT M4X10	1	
175	153580-6	SQUARE ROD COMPLETE	1	
176	925251-3	HEX.BOLT M5X30	2	
177	266034-5	TAPPING SCREW CT 4X16	2	
178	344601-7	LOCK PLATE	1	
179	317616-7	PIN HOLDER	1	
180	256158-5	PIN 3	1	
181	324288-1	LOCK PIN	1	
182	231325-3	COMPRESSION SPRING 6	1	
183	324289-9	ROD 6	1	
184	416450-3	LOCK LEVER	1	
185	345272-3	LOCK LEVER PLATE	1	
186	266034-5	TAPPING SCREW CT 4X16	2	
187	231418-6	COMPRESSION SPRING 9	1	
188	253731-2	FLAT WASHER 8	1	
189	*****	*****	***	*****
190	273515-2	GRIP 32	1	

# SPARE PARTS LIST

MODEL NO. LS0714F

ITEM	PART NO.	DESCRIPTION	QTY	NOTE
191	286212-1	CAP 20	5	
192	921472-5	HEX. BOLT M8X50	1	
193	251887-5	SCREW M6X10	2	
194	153949-4	BASE COMPLETE	1	
195	344646-5	SLIDE PLATE	1	
196	344646-5	SLIDE PLATE	1	
197	231690-0	TORSION SPRING 8	1	
198	911114-9	PAN HEAD SCREW M4X10	1	
199	345649-2	GUARD	1	
A01	122523-9	DUST BAG ASS'Y	1	
A02	122571-8	VICE ASS'Y	1	
A03	411478-6	SWITCH BUTTON	2	
A04	762001-3	TRIANGULAR RULE	1	
A05	322312-4	HOLDER	2	
A06	B-03866	T.C.T.SAW BLADE 190X20X24	1	
A07	782223-9	SOCKET WRENCH	1	
E03	345808-8	SUB LEVER	1	
E04	911113-1	PAN HEAD SCREW M4X10	2	