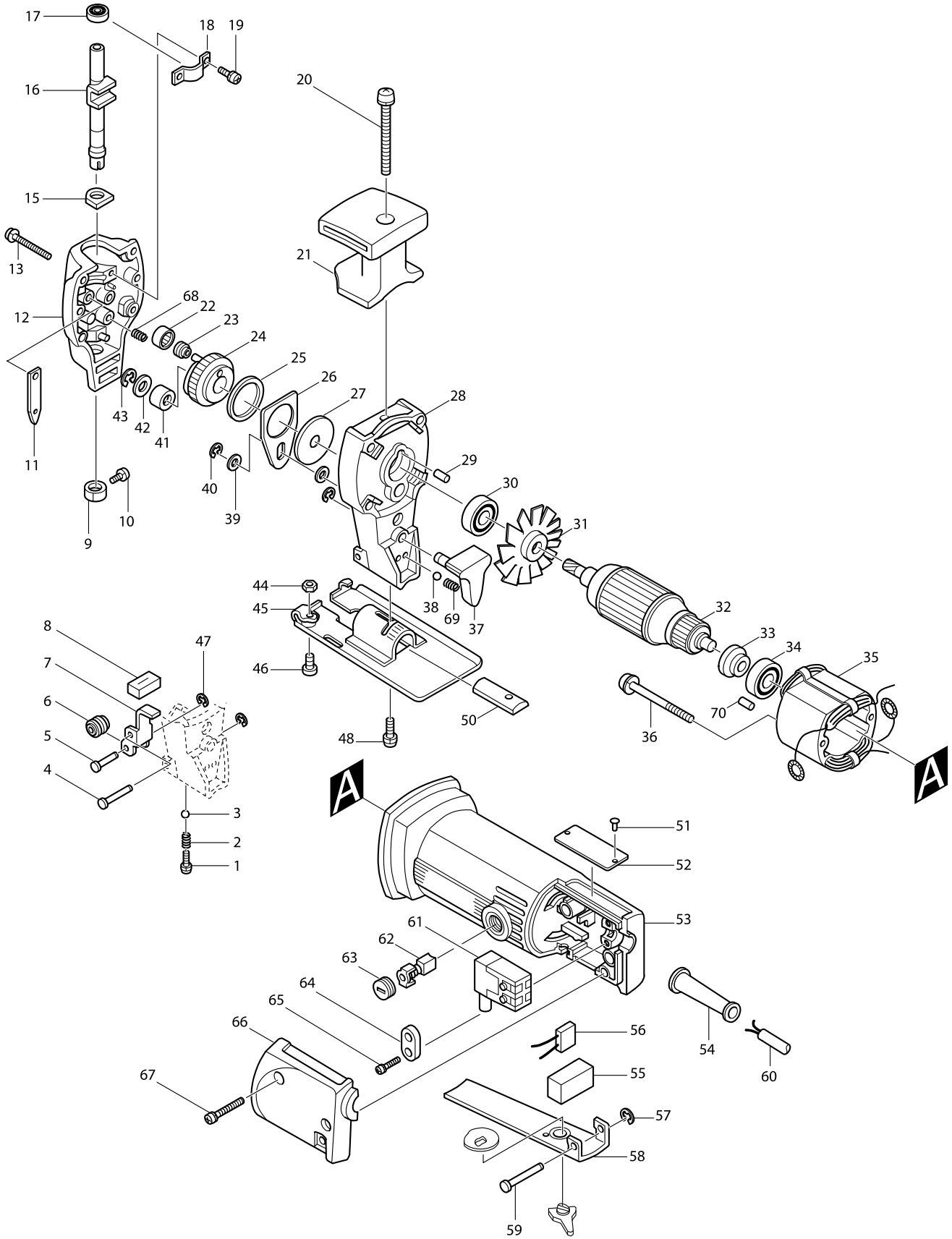


# Model No. JV2000 JIG SAW



# Model No. JV2000 JIG SAW

Item	Parts No.	Description	I/C	Qty	N/O	Opt. 1	Opt. 2	Note
001	911201-4	PAN HEAD SCREW M5X8		1				
002	231314-8	COMPRESSION SPRING 4		6				
003	216001-0	STEEL BALL 3.5		1				
004	256631-5	PIN 4		1				
005	256630-7	PIN 4		1				
006	133585-2	ROLLER ASS'Y		1				
D10		INC.5,7,47						
008	423041-3	SPONGE 12-21		1				
009-1	322146-5	BLADE SET		1				
010	922112-8	HEX. SOCKET HEAD BOLT M4X10		1				
011	341763-2	PLATE		2				
012A1	157882-2	GEAR HOUSING COVER		1				
013	911163-6	PAN HEAD SCREW M4X35		4				
014	410301-2	PROTECTOR		1				
015-1	423167-1	DUST SEAL		1				
016-2	168190-6	SLIDER		1				
017	211080-3	ANGULAR BALL BEARING 805		1				
018	341762-4	HOLDER		1				
019	911109-2	PAN HEAD SCREW M4X8		2				
020	911378-5	PAN HEAD SCREW M6X55		1				
021	411790-4	GRIP		1				
022	212014-9	NEEDLE BEARING 407		1				
023	321389-6	BUSH 4		1				
024	153140-4	GEAR COMPLETE		1				
025	253833-4	FLAT WASHER 28		1				
026	341761-6	CAM PLATE		1				
027	253834-2	FLAT WASHER 8		1				
028-1	157878-3	GEAR HOUSING		1				
029	263002-9	RUBBER PIN 4		2				
030	211031-6	BALL BEARING 608LLB		1				
031	911113-1	PAN HEAD SCREW M4X10		1				
032C_	511458-3	ARMATURE ASS'Y 220V		1				
D10		INC. 30,31,33,34						
033	681614-0	INSULATION WASHER		1				
034	211026-9	BALL BEARING 627LLB		1				
035C_	521458-5	FIELD ASS'Y 220V		1				
C10	654018-9	RING TERMINAL		2				
C20	654501-6	CONNECTOR P-1.25		2				
036	911185-6	PAN HEAD SCREW M4X55		2				
037	272213-5	LEVER 30		1				
038	216001-0	STEEL BALL 3.5		1				
039	253835-0	FLAT WASHER 8		2				
040	961011-9	STOP RING E-4		2				
041	212005-0	NEEDLE BEARING 810		1				
042	253165-9	FLAT WASHER 8		1				
043	961012-7	STOP RING E-6		1				
044	931202-6	HEX. NUT M5		1				
045-1	164740-5	BASE		1				

# Model No. JV2000 JIG SAW

Item	Parts No.	Description	I/C	Qty	N/O	Opt. 1	Opt. 2	Note
046	251951-2	HEX. SOCKET HEAD BOLT M5X10		1				
047	961017-7	STOP RING E-3		2				
048-1	922146-1	HEX. SOCKET HEAD BOLT M4X25		1				
049	942051-6	SPRING WASHER 4		1	*			
050	315365-0	CLAMP PLATE		1				
051	953106-2	RIVET 0-5		2	*			
053-1	157722-4	MOTOR HOUSING		1				
054	682500-8	CORD GUARD 8.5-72		1				
055	685700-9	SPONGE SHEET		1				
056G_	645253-0	NOISE SUPPRESSOR		1				
057	211080-3	ANGULAR BALL BEARING 805		1				
058A_	341858-1	SWITCH LEVER		1				
059	411784-9	SAFETY LOCK		1				
060O_	665383-1	POWER SUPPLY CORD 1.0-2-2.0		1				
061D_	651919-2	SWITCH SGE106CV-1P		1				
062A_	191628-6	CARBON BRUSH CB-65		1				
063	643550-8	BRUSH HOLDER CAP 5-8		2				
064D_	687031-2	STRAIN RELIEF		1				
065	911131-9	PAN HEAD SCREW M4X18		2	*			
066A_	411982-5	SWITCH COVER		1				
067	911158-9	PAN HEAD SCREW M4X30		2				
400	271601-3	KNOB 20		1				
401	164112-4	CIRCULAR GUIDE		1				
402-1	410048-8	WRENCH HOLDER 3.4		1				
403-1	410048-8	WRENCH HOLDER 3.4		1				
404	783201-2	HEX. WRENCH 3		1				
405	164113-2	GUIDE RULE		1				
406-1	792408-9	JIG SAW BLADE SET		1				
407	191504-4	ACCESSORY SET		1	*			
408	413052-6	PIN COVER (F/CIRCULAR GUIDE)		1	*			
501	123030-5	CIRCULAR GUIDE ASS'Y		1	*			
D10		INC. 400-402			*			
901-1	911113-1	PAN HEAD SCREW M4X10		1				
902	410118-3	CAP		1				
903	231322-9	COMPRESSION SPRING 3		1				
904	341857-3	LOCK LEVER		1				
905-3	182647-3	STEEL CARRYING CASE		1	*			
C10	819033-2	MAKITA LABEL		1	*			
905-4	182647-3	STEEL CARRYING CASE	O	1				
C10	819143-5	MAKITA LABEL		1				