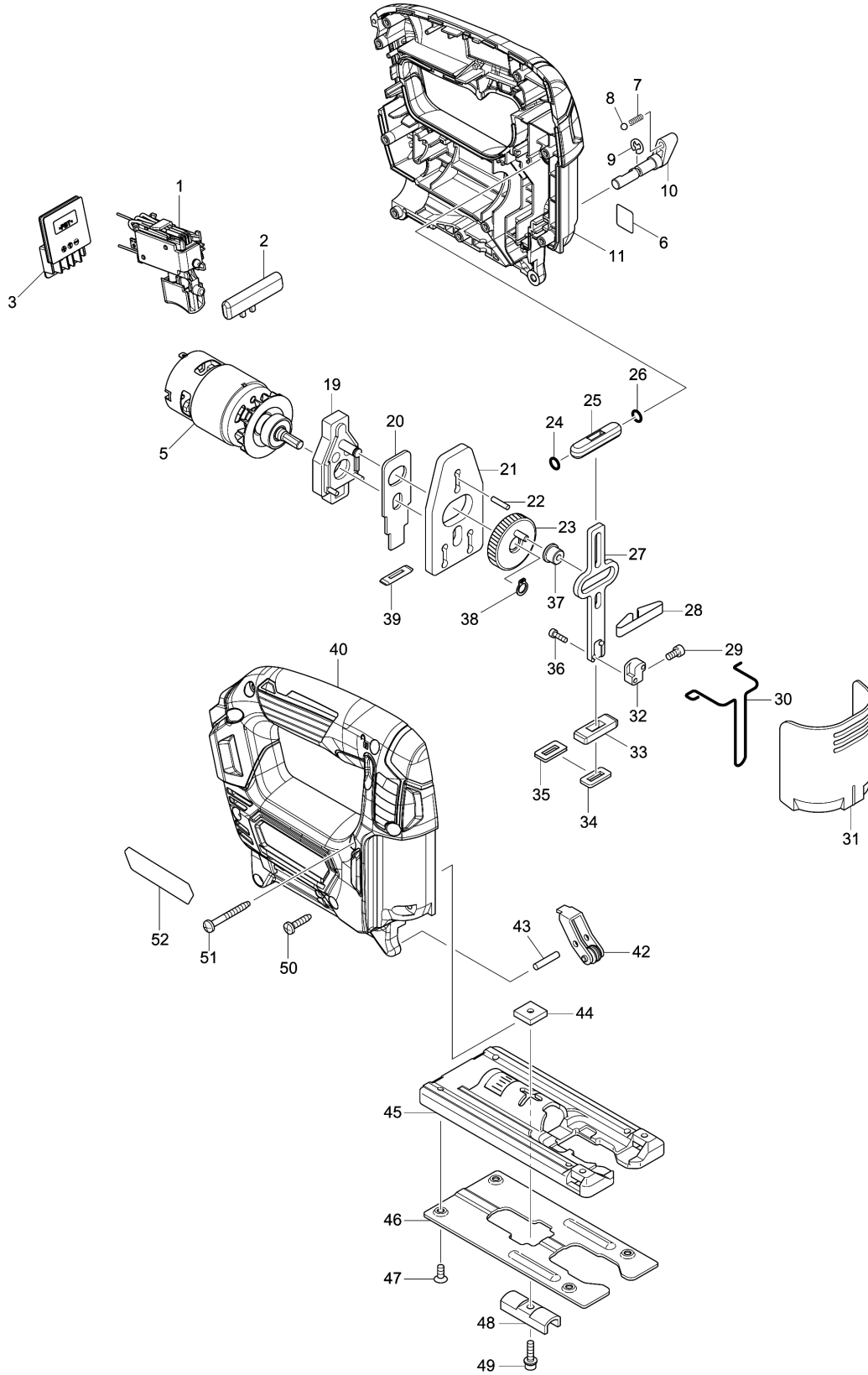


Model No. JV101D CORDLESS JIG SAW



Model No.JV101D CORDLESS JIG SAW

Item	Parts No.	Description	I/C	Qty	New/Old	Opt. 1	Opt. 2	Note
001	632G55-5	SWITCH UNIT		1				
002	454742-2	LOCK OFF BUTTON		1				
003	644813-5	TERMINAL		1				
005	629213-0	DC MOTOR		1				
007	233151-6	COMPRESSION SPRING 4		1				
008	216008-6	STEEL BALL 4		1				
009	961011-9	STOP RING E-4		1				
010	272267-2	LEVER 19		1				
011	183E13-7	HOUSING SET		1				
C10	263002-9	RUBBER PIN 4		2				
D10		INC. 40						
019	152600-3	BEARING CASE COMPLETE		1				
020	344683-9	PUSH PLATE		1				
021	344614-8	BALANCE PLATE		1				
022	256254-9	PIN 3		1				
023	153260-4	GEAR COMPLETE		1				
024	213038-8	O RING 5		1				
025	313082-6	SLIDER GUIDE		1				
026	213038-8	O RING 5		1				
027	344613-0	SLIDER		1				
028	232183-0	LEAF SPRING		1				
029	922107-1	HEX. SOCKET HEAD BOLT M4X8		1				
030	323748-0	SAFETY WIRE		1				
031	416476-5	DUST COVER		1				
032	313140-8	BLADE CLAMP		1				
033	313086-8	SLIDER SUPPORT		1				
034	423307-1	POLY URETANE SPONGE SEAL		1				
035	344686-3	SEAL PLATE		1				
036	266177-3	HEX. SOCKET HEAD BOLT M3X10		2				
037	257683-9	COLLAR SLEEVE		1				
038	961002-0	RETAINING RING S-6		1				
039	416703-0	DUST SEAL		1				
040	183E13-7	HOUSING SET		1				
C10	263002-9	RUBBER PIN 4		2				
D10		INC. 11						
042	158392-2	RETAINER COMPLETE		1				
043	256117-9	PIN 4		1				
044	343540-8	HOLDER		1				
045	317796-9	BASE		1				
046	345441-6	BASE PLATE		1				

Model No.JV101D CORDLESS JIG SAW

Item	Parts No.	Description	I/C	Qty	New/Old	Opt. 1	Opt. 2	Note
047	912107-9	COUNTERSUNK HEAD SCREW M4X8		4				
048	344685-5	CLAMP PLATE		1	*			
048-1	344685-5	CLAMP PLATE	O	1				
049	922128-3	HEX. SOCKET HEAD BOLT M4X16		1				
050	266326-2	TAPPING SCREW 4X18		9				
051	266351-3	TAPPING SCREW 4X35		1				
052	852E10-1	JV101D NAME PLATE		1	*			
052-1	852E09-6	JV101D NAME PLATE	<	1				
A01	A-85628	JIGSAW BLADE NO.B10		1				
A02	783201-2	HEX. WRENCH 3		1				
A03B	192732-4	GUIDE RULE SET		1				
C10	165217-3	GUIDE RULE		1				
C20	323802-0	GUIDE PIN		1				
C30	271601-3	KNOB 20		1				
C40	922107-1	HEX. SOCKET HEAD BOLT M4X8		1				
A03C	192732-4	GUIDE RULE SET		1				
C10	165217-3	GUIDE RULE		1				
C20	323802-0	GUIDE PIN		1				
C30	271601-3	KNOB 20		1				
C40	922107-1	HEX. SOCKET HEAD BOLT M4X8		1				
A04B	***DC10WC	DC10WC BATTERY CHARGER		1	*			
D10		COMPO-PARTS			*			
A04C	***DC10SA	DC10SA BATTERY CHARGER		1	*			
D10		COMPO-PARTS			*			
A04-1B	***DC10WD	DC10WD BATTERY CHARGER	<	1				
D10		COMPO-PARTS						
A04-1C	***DC10SB	DC10SB BATTERY CHARGER	<	1				
D10		COMPO-PARTS						
A05B	197394-3	BATTERY BL1020B SET		2	*			
A05C	197402-0	BATTERY BL1040B SET		2	*			
A05-1B	197396-9	BATTERY BL1021B SET	<	2	*			
A05-1C	197406-2	BATTERY BL1041B SET	<	2	*			
A05-2B	197396-9	BATTERY BL1021B SET	O	2				
A05-2C	197406-2	BATTERY BL1041B SET	O	2				
A06B	456128-6	BATTERY COVER		1				
A06C	456128-6	BATTERY COVER		1				
A07B	821691-2	PLASTIC CARRYING CASE		1				
C10	162315-4	LATCH		2				
A07C	821549-5	CONNECTOR PLASTIC CASE (TYPE1)		1				
C10	453974-8	LATCH		4				

Model No.JV101D CORDLESS JIG SAW

Item	Parts No.	Description	I/C	Qty	New/Old	Opt. 1	Opt. 2	Note
A08C	838563-4	INNER TRAY		1				
A09C	809E79-6	JV101DSMJ INDICATION LABEL		1	*			
A09-1C	809E78-8	JV101DSMJ INDICATION LABEL	<	1				
A10C	809E80-1	JV101DSMJ PLASTIC CASE LABEL		2				

Please order the parts with part number.

Print Date 31/3/2020