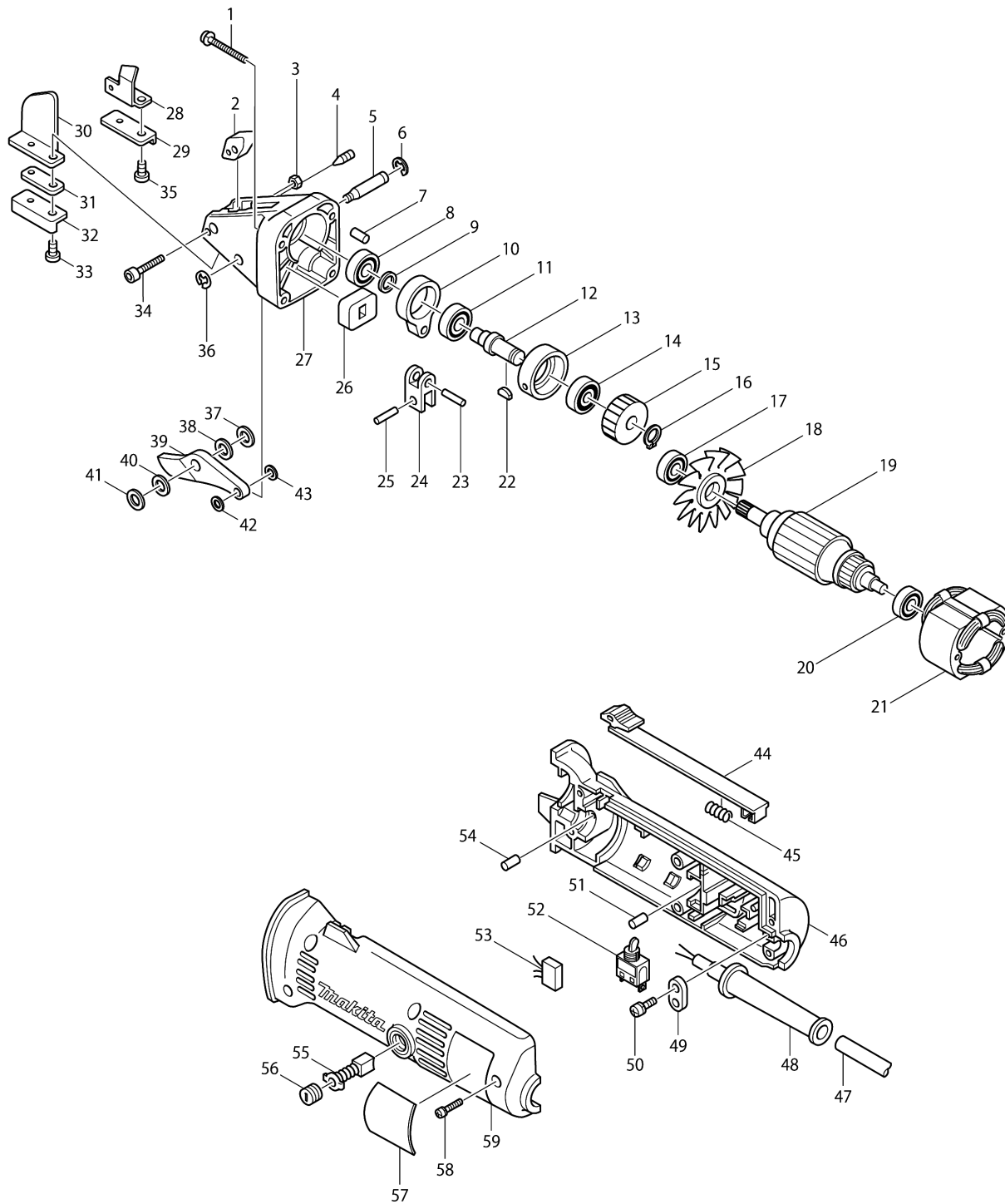


Model No.JS1660 SHEAR



Model No.JS1660 SHEAR

Item	Parts No.	Description	I/C	Qty	New/Old	Opt. 1	Opt. 2	Note
001	911161-0	PAN HEAD SCREW M4X35		4				
002	331317-3	BLOCK		1	*			
002-1	325727-4	BLOCK	O	1				
003	252083-8	HEX. LOCK NUT M4-7		1				
004-1	265901-1	-SET SCREW(CONE POINT)M5X12		1				
005	256733-7	PIN 7		1				
006	961012-7	STOP RING E-6		1				
007	263002-9	RUBBER PIN 4		1				
008	211026-9	BALL BEARING 627LLB		1	*			
008-1	210025-8	BALL BEARING 627LLB	O	1				
009	253133-2	FLAT WASHER 7		1				
010	331273-7	ROD		1				
011	211061-7	BALL BEARING 6000LLB		1				
012	321850-3	CRANK SHAFT		1				
013	315819-7	BUSH		1				
014	211063-3	BALL BEARING 6000LB		1	*			
014-1	211061-7	BALL BEARING 6000LLB	O	1				
015	221743-3	HELICAL GEAR 44		1				
016	961006-2	RETAINING RING S-10		1				
017	211033-2	BALL BEARING 608LB		1				
018	241100-9	FAN 52		1				
019C_	511528-8	ARMATURE ASS'Y 220V		1				
D10		INC. 17,18,20						
020	211026-9	BALL BEARING 627LLB		1	*			
020-1	210025-8	BALL BEARING 627LLB	O	1				
021E_	527005-0	FIELD ASS'Y 220V		1				
C10	654018-9	RING TERMINAL		2				
C20	654501-6	CONNECTOR P-1.25		2				
022	254031-3	WOODRUFF KEY 3		1				
023	256155-1	PIN 5		1				
024-1	331329-6	LINK		1				
025	256155-1	PIN 5		1				
026	423118-4	DUST COVER		1				
027	157817-3	CRANK HOUSING		1				
C11	256180-2	PIN 3		2				
D10		INC. 7						
028	343479-5	SLIP PLATE R		1				
029	792533-6	SIDE BLADE SET		1	*			
D10		INC. 32			*			
029-1	792533-6	SIDE BLADE SET	O	1				
D10		INC. 32						
030	343480-0	SLIP PLATE L		1				

Please order the parts with part number.

Print Date 2/7/2019

Model No.JS1660 SHEAR

Item	Parts No.	Description	I/C	Qty	New/Old	Opt. 1	Opt. 2	Note
031	343481-8	SPACER		1				
032	792533-6	SIDE BLADE SET		1	*			
D10		INC. 29			*			
032-1	792533-6	SIDE BLADE SET	O	1				
D10		INC. 29						
033	251951-2	HEX. SOCKET HEAD BOLT M5X10		1				
034	922147-9	HEX. SOCKET HEAD BOLT M4X25		1				
035	251951-2	HEX. SOCKET HEAD BOLT M5X10		1				
036	961011-9	STOP RING E-4		1				
037	261065-9	TEFLON WASHER 7		1				
038	253338-4	THIN WASHER 7		1				
039	792534-4	CENTER BLADE		1				
040	253338-4	THIN WASHER 7		1				
041	261065-9	TEFLON WASHER 7		1				
042	267010-2	FLAT WASHER 5		1				
043	267010-2	FLAT WASHER 5		1				
044	410529-2	SWITCH ROD		1				
045	231223-1	COMPRESSION SPRING 6		1				
046	181848-0	HOUSING SET		1				
C10	643557-4	BRUSH HOLDER 5-8		2				
D10		INC. 51.54.59						
047T_	665865-3	POWER SUPPLY CORD 1.0-2- 2.5		1				
048B1	682516-3	CORD GUARD 9.3-85		1	*			
048B2	682504-0	CORD GUARD 10-85	O	1				
049C_	687031-2	STRAIN RELIEF		1				
050	911133-5	PAN HEAD SCREW M4X18		2				
051	263002-9	RUBBER PIN 4		1				
052	651403-7	SWITCH ST115A-31		1	*			
052-1	651433-8	SWITCH ST115A-31	<	1				
053B_	645209-3	NOISE SUPPRESSOR		1				
054	263002-9	RUBBER PIN 4		1				
055B_	191628-6	CARBON BRUSH CB-65		1				
056	643550-8	BRUSH HOLDER CAP 5-8		2				
057	855949-7	NAME PLATE JS1660		1				
058	911158-9	PAN HEAD SCREW M4X30		5				
059	181848-0	HOUSING SET		1				
C10	643557-4	BRUSH HOLDER 5-8		2				
D10		INC. 46.51.54						
400	783201-2	HEX. WRENCH 3		1				
401	410048-8	WRENCH HOLDER 3.4		1				

Please order the parts with part number.

Print Date 2/7/2019

Model No.JS1660 SHEAR

Item	Parts No.	Description	I/C	Qty	New/Old	Opt. 1	Opt. 2	Note
402	762013-6	THICKNESS GAUGE		1				

Please order the parts with part number.

Print Date 2/7/2019