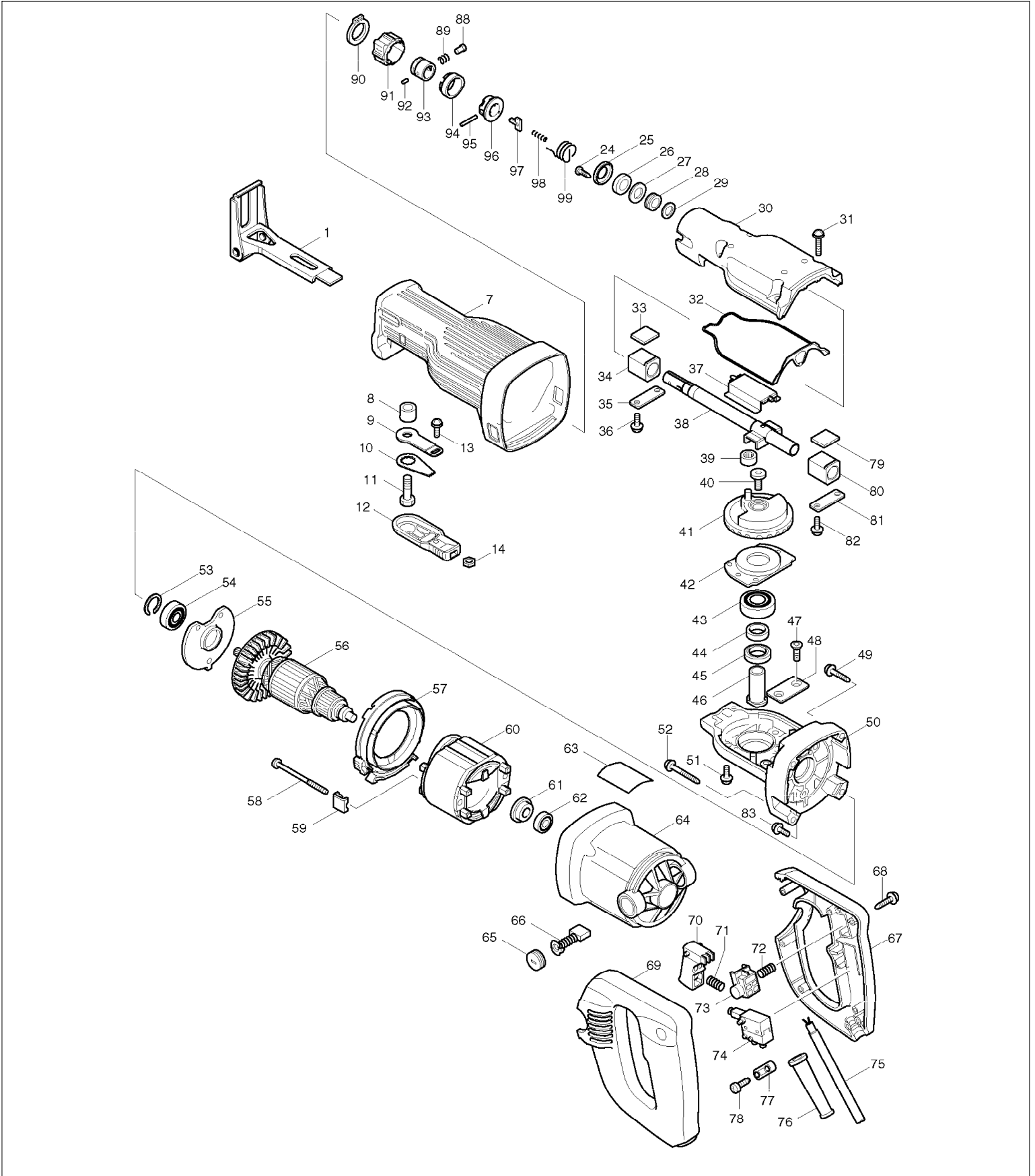


# SERVICE DRAWING

MODEL NO. JR3030T



# SPARE PARTS LIST

MODEL NO. JR3030T

ITEM	PART NO.	DESCRIPTION	QTY	NOTE
001	*****	*****	***	*****
007	*****	*****	***	*****
008	257558-2	SLEEVE 9	1	
009	344732-2	INNER PLATE	1	
010	344733-0	LOCK PLATE	1	
011	921442-4	HEX. BOLT M8X25	1	
012	272240-2	LEVER 60	1	
013	911114-9	PAN HEAD SCREW M4X10	1	
014	931102-0	HEX. NUT M4	1	
015	*****	*****	***	*****
016	216002-8	STEEL BALL 4.8	1	
017	256454-1	PIN 5.5-6	1	
018	*****	*****	***	*****
019	323916-5	PUSH PIN	1	
020	233018-8	COMPRESSION SPRING 3	1	
021	162215-8	PUSH BUTTON	1	
022	233247-3	COMPRESSION SPRING 16	1	
023	257226-7	RING 13	1	
024	266035-3	TAPPING SCREW BIND CT 5X12	2	
025	344729-1	FELT RETAINER	1	
026	262545-8	FELT RING 14	1	
027	253797-2	FLAT WASHER 14	1	
028	213174-0	X RING 14	1	
029	253707-9	FLAT WASHER 16	1	
030	*****	*****	***	*****
031	911253-5	PAN HEAD SCREW M5X30	4	
032	421666-7	PACKING	1	
033	443070-0	PLATE 12X16	1	
034	214169-6	PLANE BEARING 14	1	
035	341462-6	PLATE	1	
036	911225-0	PAN HEAD SCREW M5X16	2	
037	344777-0	SLIDE PLATE	1	
038	*****	*****	***	*****
039	212001-8	NEEDLE BEARING 708	1	
040	266210-1	HEX. SOCKET HEAD BOLT M10X18	1	
041	153268-8	GEAR COMPLETE	1	
042	285692-8	BEARING RETAINER 56	1	
043	211206-7	BALL BEARING 6202LLB	1	
044	257064-7	RING 15	1	
045	211221-1	BALL BEARING 6902	1	
046	323844-4	GEAR SHAFT	1	
047	251969-3	HEX. SOCKET HEAD BOLT M5X12	2	
048	343981-8	PLATE (C)	1	
049	266173-1	TAPPING SCREW 5X30	2	
050	317140-0	GEAR HOUSING	1	
051	911601-8	PAN HEAD SCREW M5X8	3	
052	266056-5	TAPPING SCREW 5X45	2	
053	961052-5	RETAINING RING S-12	1	
054	211131-2	BALL BEARING 6001DDW	1	
055	285693-6	BEARING RETAINER	1	
056	516373-6	ARMATURE ASS'Y 220V	1	
057	416856-5	BAFFLE PLATE	1	
058	266044-2	TAPPING SCREW 5X60	2	
059	343657-7	RETAINER	2	
060	594333-8	FIELD ASS'Y 220V	1	

# SPARE PARTS LIST

MODEL NO. JR3030T

ITEM	PART NO.	DESCRIPTION	QTY	NOTE
061	681644-1	INSULATION WASHER	1	
062	210005-4	BALL BEARING 608DDW	1	
063	851802-5	NAME PLATE JR3030T	1	
064	151841-8	MOTOR HOUSING COMPLETE	1	
065	643750-0	BRUSH HOLDER CAP	2	
066	191963-2	CARBON BRUSH CB-303	1	
067	183101-0	HANDLE SET	1	
068	266045-0	TAPPING SCREW 4X20	5	
069	183101-0	HANDLE SET	1	
070	416851-5	SWITCH LEVER	1	
071	233251-2	COMPRESSION SPRING 5	1	
072	*****	*****	***	*****
073	*****	*****	***	*****
074	651919-2	SWITCH SGE106CV-1P	1	
075	665883-1	POWER SUPPLY CORD 1.0-2-5.0	1	
076	682540-6	CORD GUARD 9.3-90	1	
077	687052-4	STRAIN RELIEF	1	
078	265995-6	TAPPING SCREW 4X18	2	
079	443070-0	PLATE 12X16	1	
080	214169-6	PLANE BEARING 14	1	
081	341462-6	PLATE	1	
082	911225-0	PAN HEAD SCREW M5X16	2	
083	911601-8	PAN HEAD SCREW M5X8	3	
086	941102-2	FLAT WASHER 5	1	
087	267758-6	SPRING WASHER 5	1	
088	*****	*****	***	*****
089	233345-3	COMPRESSION SPRING 6	1	
090	961078-7	RETAINING RING (EXT) S-18	1	
091	162228-9	DRIVING SLEEVE	1	
092	268094-3	PIN 3	1	
093	331639-1	GUIDE SLEEVE	1	
094	417791-0	DRIVING SLEEVE GUIDE	1	
095	256158-5	PIN 3	1	
096	*****	*****	***	*****
097	345214-7	PUSH PLATE	1	
098	233025-1	COMPRESSION SPRING 2	1	
099	*****	*****	***	*****
A01	792146-3	RECIPRO SAW BLADE NO.21	1	
A02	792147-1	RECIPRO SAW BLADE NO.22	1	
A03	792148-9	RECIPRO SAW BLADE NO.23	1	
A04	824539-7	PLASTIC CARRYING CASE	1	
E02	645253-0	NOISE SUPPRESSOR	1	
E05	685700-9	SPONGE SHEET	1	