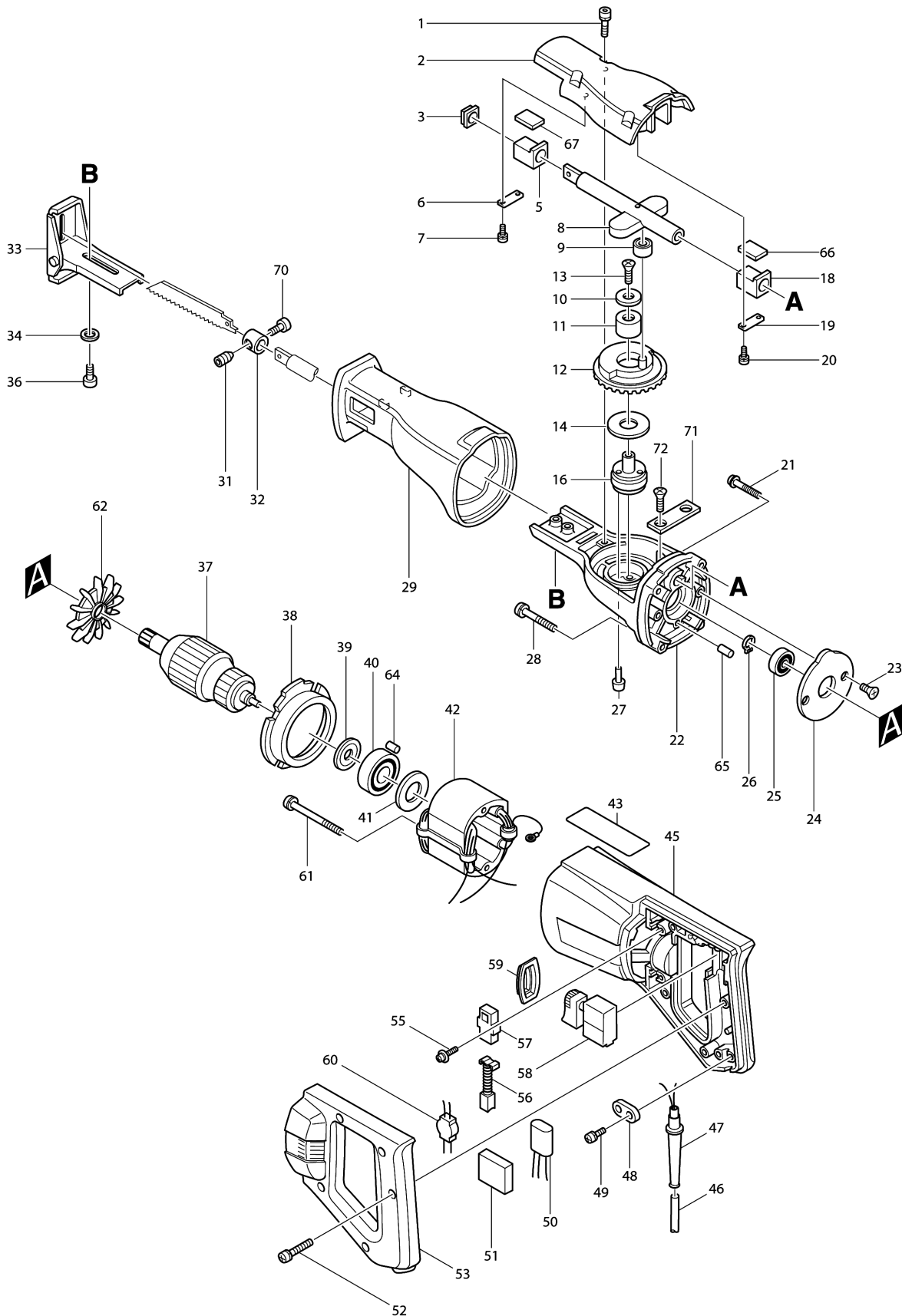


Model No. JR3000V RECIPRO SAW





## Model No.JR3000V RECIPRO SAW

Item	Parts No.	Description	I/C	Qty	New/Old	Opt. 1	Opt. 2	Note
001	911241-2	PAN HEAD SCREW M5X25		4				
002	315084-8	GEAR HOUSING COVER		1				
003-1	155896-5	SEAL		1				
C10	213107-5	O RING 12		1				
005-2	214157-3	PLANE BEARING 12.7		1	*			
005-3	214166-2	PLANE BEARING 12.7	S	1	*			
005-4	214167-0	PLANE BEARING 12.7	O	1				
006	341462-6	PLATE		1				
007-1	911225-0	PAN HEAD SCREW M5X16		2				
008-2	163340-8	SLIDER		1	*			
008-3	163357-1	SLIDER	S	1	*			
008-4	163392-9	SLIDER	S	1				
009	212001-8	NEEDLE BEARING 708		1				
010	253816-4	FLAT WASHER 6		1				
011	212115-3	NEEDLE BEARING 1216		1				
012-1	133244-8	GEAR ASS'Y		1				
D10		INC. 11						
013-1	251372-8	+ COUNTERSUNK HEAD SCREW M5X12		1	*			
013-2	251969-3	HEX. SOCKET HEAD BOLT M5X12	O	1				
014	253805-9	FLAT WASHER 18		1				
016	321263-8	GEAR SHAFT		1				
017	421162-5	SPACE BLOCK		1	*			
018-2	214157-3	PLANE BEARING 12.7		1	*			
018-3	214166-2	PLANE BEARING 12.7	S	1	*			
018-4	214167-0	PLANE BEARING 12.7	O	1				
019-1	343526-2	PLATE		1	*			
019-2	341462-6	PLATE	X	1				
020-1	911225-0	PAN HEAD SCREW M5X16		2				
021	911251-9	PAN HEAD SCREW M5X30		2				
022-1	157012-5	GEAR HOUSING		1	*			
022-2	159679-5	GEAR HOUSING COMPLETE	O	1	*			
022-3	159718-1	GEAR HOUSING COMPLETE	S	1				
023	912122-3	COUNTERSUNK HEAD SCREW M4X14		2	*			
023-1	251295-0	+ COUNTERSUNK HEAD SCREW M4X14	<	2				
024	285650-4	BEARING RETAINER 54		1				
025-1	211087-9	BALL BEARING 6200DDW		1				
026	961006-2	RETAINING RING S-10		1				
027-1	911215-3	PAN HEAD SCREW M5X12		3				
028	911256-9	PAN HEAD SCREW M5X35		2				
029	421154-4	INSULATION COVER		1	*			

Please order the parts with part number.

Print Date 2/7/2019

## Model No.JR3000V RECIPRO SAW

Item	Parts No.	Description	I/C	Qty	New/Old	Opt. 1	Opt. 2	Note
029-1	421326-1	INSULATION COVER	O	1				
031-1	265836-6	HEX.SOCKET SET SCREW(HOLE)M8X9		1				
032-2	322502-9	BLADE CLAMP		1	*			
032-3	313067-2	BLADE CLAMP	X	1	*			
032-4	313075-3	BLADE CLAMP	S	1				
033-2	163258-3	SHOE		1				
C10	344095-6	SHOE PLATE		1				
034	941101-4	FLAT WASHER 5		2				
036-1	922216-6	HEX. SOCKET HEAD BOLT M5X14		2				
037F_	516063-1	ARMATURE ASS'Y 220V		1				
D11		INC. 39,40,62						
038	411612-8	BAFFLE PLATE		1				
039-1	681613-2	INSULATION WASHER		1				
040	211033-2	BALL BEARING 608LB		1				
041	253192-6	FLAT WASHER 14		1				
042F1	528705-5	FIELD ASS'Y 220V		1				
C10	654038-3	INSULATED TERMINAL FT1.25-M4		2	*			
C11	654038-3	INSULATED TERMINAL FT1.25-M4	O	2	*			
C12	654038-3	INSULATED TERMINAL FT1.25-M4	O	2	*			
C13	654038-3	INSULATED TERMINAL FT1.25-M4	O	2				
043	854810-5	NAME PLATE JR3000V		1				
045-1	159482-4	MOTOR HOUSING COMPLETE		1	*			
D10		INC. 64			*			
045-2	159482-4	MOTOR HOUSING COMPLETE	O	1				
D10		INC. 64						
046W_	665890-4	POWER SUPPLY CORD 1.0-2-4.0		1				
047B_	682516-3	CORD GUARD 9.3-85		1	*			
047B1	682504-0	CORD GUARD 10-85	O	1				
048G_	687063-9	CORD CLAMP		1	*			
048G1	687052-4	STRAIN RELIEF	X	1				
049-1	911133-5	PAN HEAD SCREW M4X18		2				
050B_	645173-8	NOISE SUPPRESSOR		1				
051	685718-0	SPONGE SHEET		1				
052	911153-9	PAN HEAD SCREW M4X28		4				
053	410068-2	HANDLE COVER		1				
055-1	911124-6	PAN HEAD SCREW M4X14		2				
056	181026-2	CARBON BRUSH CB-55		1				
057	643551-6	BRUSH HOLDER 5-8		2				
058G_	651256-4	SWITCH SGEL106CV-1A		1				

Please order the parts with part number.

Print Date 2/7/2019

## Model No.JR3000V RECIPRO SAW

Item	Parts No.	Description	I/C	Qty	New/Old	Opt. 1	Opt. 2	Note
059	411852-8	SWITCH COVER		1				
060A_	646325-4	LINE COIL		1				
061-1	911280-2	PAN HEAD SCREW M5X55		2				
062	241631-8	FAN 66		1				
063-1	258018-7	SPRING PIN 2.5-9		1	*			
064	263014-2	RUBBER PIN 4		1				
065	263002-9	RUBBER PIN 4		1				
066	443070-0	PLATE 12X16		1				
067	443070-0	PLATE 12X16		1				
068	256701-0	PIN 3		1	*			
070	265986-7	HEX. SOCKET HEAD BOLT M5X13		1	*			
070-1	266090-5	HEX. SOCKET HEAD BOLT M5X15	S	1				
071	343981-8	PLATE (C)		1				
072	251969-3	HEX. SOCKET HEAD BOLT M5X12		2				
073	819063-3	MAKITA LABEL		2				
400	792003-5	RECIPRO SAW BLADE SET		1				
403	783202-0	HEX. WRENCH 4		1				
404	410048-8	WRENCH HOLDER 3.4		1				
405-6	824539-7	PLASTIC CARRYING CASE		1				
C10	417059-4	LATCH		2				
C20	819143-5	MAKITA LABEL		1				
903	683345-7	VARNISHED POLYESTER TUBE 3-70		1				

Please order the parts with part number.

Print Date 2/7/2019