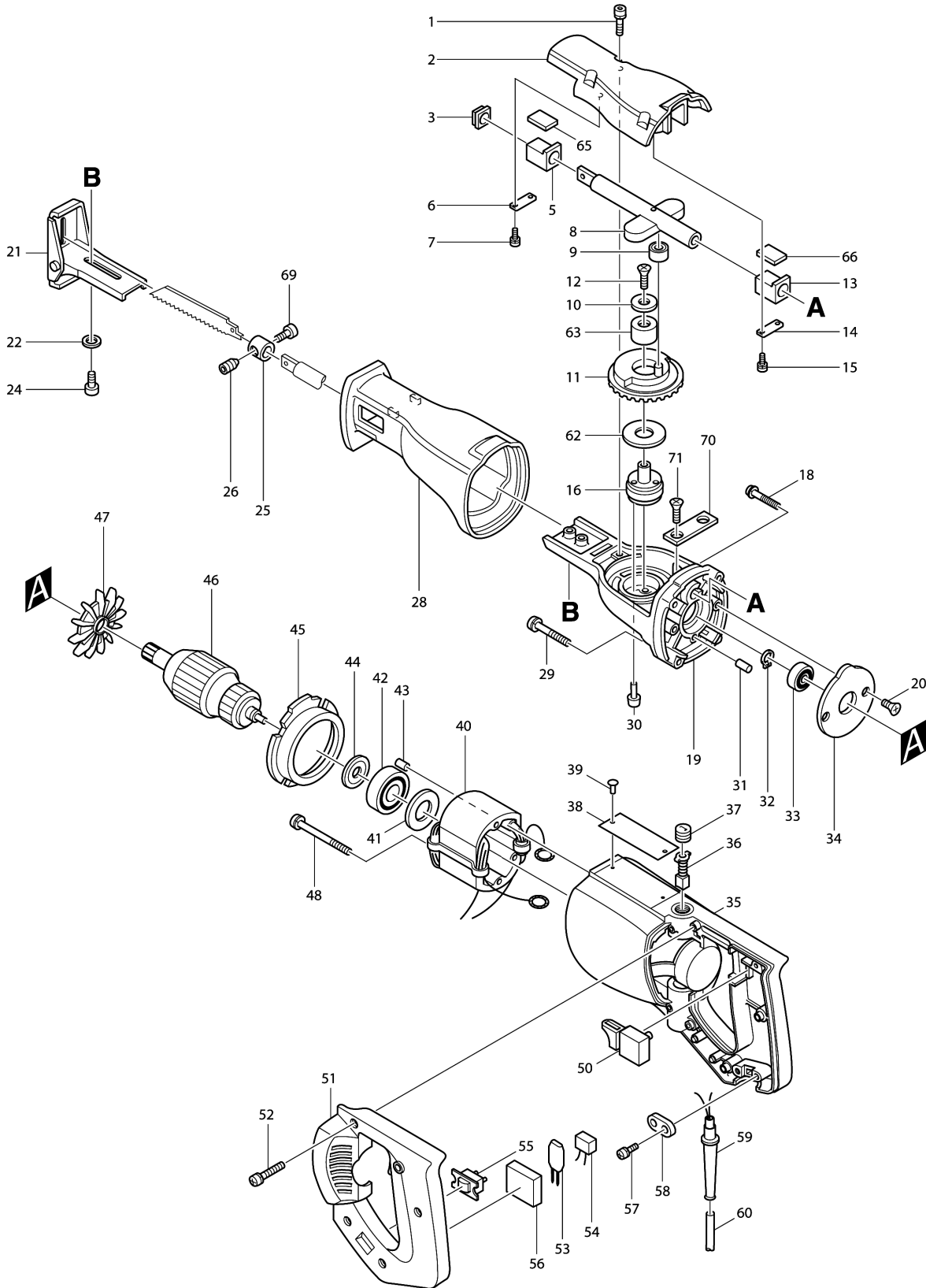


Model No. JR3000 RECIPRO SAW



Model No.JR3000 RECIPRO SAW

Item	Parts No.	Description	I/C	Qty	New/Old	Opt. 1	Opt. 2	Note
001	911241-2	PAN HEAD SCREW M5X25		4				
002	315084-8	GEAR HOUSING COVER		1				
003-1	155896-5	SEAL		1				
005-2	214157-3	PLANE BEARING 12.7		1	*			
005-3	214166-2	PLANE BEARING 12.7	X	1	*			
005-4	214167-0	PLANE BEARING 12.7	O	1				
006	341462-6	PLATE		1				
007-1	911225-0	PAN HEAD SCREW M5X16		2				
008-2	163340-8	SLIDER		1	*			
008-3	163357-1	SLIDER	X	1	*			
008-4	163392-9	SLIDER	X	1				
009	212001-8	NEEDLE BEARING 708		1				
010	253816-4	FLAT WASHER 6		1				
011-1	133244-8	GEAR ASS'Y		1				
C20	212115-3	NEEDLE BEARING 1216		1				
012-1	251372-8	+ COUNTERSUNK HEAD SCREW M5X12		1	*			
012-2	251969-3	HEX. SOCKET HEAD BOLT M5X12	O	1				
013-2	214157-3	PLANE BEARING 12.7		1	*			
013-3	214166-2	PLANE BEARING 12.7	X	1	*			
013-4	214167-0	PLANE BEARING 12.7	O	1				
014-1	343526-2	PLATE		1	*			
014-2	341462-6	PLATE	X	1				
015-1	911225-0	PAN HEAD SCREW M5X16		2				
016	321263-8	GEAR SHAFT		1				
018	911251-9	PAN HEAD SCREW M5X30		2				
019-1	157012-5	GEAR HOUSING		1	*			
019-2	159679-5	GEAR HOUSING COMPLETE	O	1	*			
019-3	159718-1	GEAR HOUSING COMPLETE	X	1				
020	912122-3	COUNTERSUNK HEAD SCREW M4X14		2				
021-2	163258-3	SHOE		1				
C10	344095-6	SHOE PLATE		1				
022	941101-4	FLAT WASHER 5		2				
024-1	922216-6	HEX. SOCKET HEAD BOLT M5X14		2				
025-2	322502-9	BLADE CLAMP		1	*			
025-3	313067-2	BLADE CLAMP	X	1	*			
025-4	313075-3	BLADE CLAMP	X	1				
026-1	265836-6	HEX.SOCKET SET SCREW(HOLE)M8X9		1				
028-1	421326-1	INSULATION COVER		1				
029	911256-9	PAN HEAD SCREW M5X35		2				
030-1	911215-3	PAN HEAD SCREW M5X12		3				

Please order the parts with part number.

Print Date 2/7/2019

Model No.JR3000 RECIPRO SAW

Item	Parts No.	Description	I/C	Qty	New/Old	Opt. 1	Opt. 2	Note
031	263002-9	RUBBER PIN 4		1				
032	961006-2	RETAINING RING S-10		1				
033-1	211087-9	BALL BEARING 6200DDW		1				
034	285650-4	BEARING RETAINER 54		1				
035-1	159087-0	MOTOR HOUSING		1				
C10	643556-6	BRUSH HOLDER 5-8		2				
D10		INC. 43						
036B_	181021-2	CARBON BRUSH CB-51		1				
037	643550-8	BRUSH HOLDER CAP 5-8		2				
038	815228-5	NAME PLATE JR3000		1				
039	953106-2	RIVET 0-5		2				
040C_	522483-9	FIELD ASS'Y 220V		1				
C10	654018-9	RING TERMINAL		2				
C20	654501-6	CONNECTOR P-1.25		2				
041	253192-6	FLAT WASHER 14		1				
042	211033-2	BALL BEARING 608LB		1				
043-1	263014-2	RUBBER PIN 4		1				
044-1	681613-2	INSULATION WASHER		1				
045	411612-8	BAFFLE PLATE		1				
046C_	512678-2	ARMATURE ASS'Y 220V		1	*			
D10		INC. 42,44,47			*			
046C1	516063-1	ARMATURE ASS'Y 220V	O	1				
D10		INC. 42,44,47						
047	241631-8	FAN 66		1				
048-1	911280-2	PAN HEAD SCREW M5X55		2				
050H_	651235-2	SWITCH C2M-A1T		1	*			
050H1	651225-5	SWITCH SGEL215C	S	1				
051-1	414522-8	HANDLE COVER		1				
052	911153-9	PAN HEAD SCREW M4X28		4				
053A_	631011-0	DIODE S3V60ZM-H		1				
054B_	645208-5	NOISE SUPPRESSOR		1				
055A_	651600-5	SWITCH SS106A		1				
056	685718-0	SPONGE SHEET		1				
057-1	911133-5	PAN HEAD SCREW M4X18		2				
058A_	687002-9	STRAIN RELIEF		1				
059	682504-0	CORD GUARD 10-85		1				
060L_	665016-8	POWER SUPPLY CORD 1.00-2-2.5		1				
062	253805-9	FLAT WASHER 18		1				
063	212115-3	NEEDLE BEARING 1216		1				
065	443070-0	PLATE 12X16		1				
066	443070-0	PLATE 12X16		1				

Please order the parts with part number.

Print Date 2/7/2019

Model No.JR3000 RECIPRO SAW

Item	Parts No.	Description	I/C	Qty	New/Old	Opt. 1	Opt. 2	Note
069	265986-7	HEX. SOCKET HEAD BOLT M5X13		1	*			
069-1	266090-5	HEX. SOCKET HEAD BOLT M5X15	X	1				
070	343981-8	PLATE (C)		1				
071	251969-3	HEX. SOCKET HEAD BOLT M5X12		2				
400	792003-5	RECIPRO SAW BLADE SET		1				
403	783202-0	HEX. WRENCH 4		1				
405-1	410048-8	WRENCH HOLDER 3.4		1				
406-6	824539-7	PLASTIC CARRYING CASE		1				
C10	417059-4	LATCH		2				
C20	819143-5	MAKITA LABEL		1				

Please order the parts with part number.

Print Date 2/7/2019