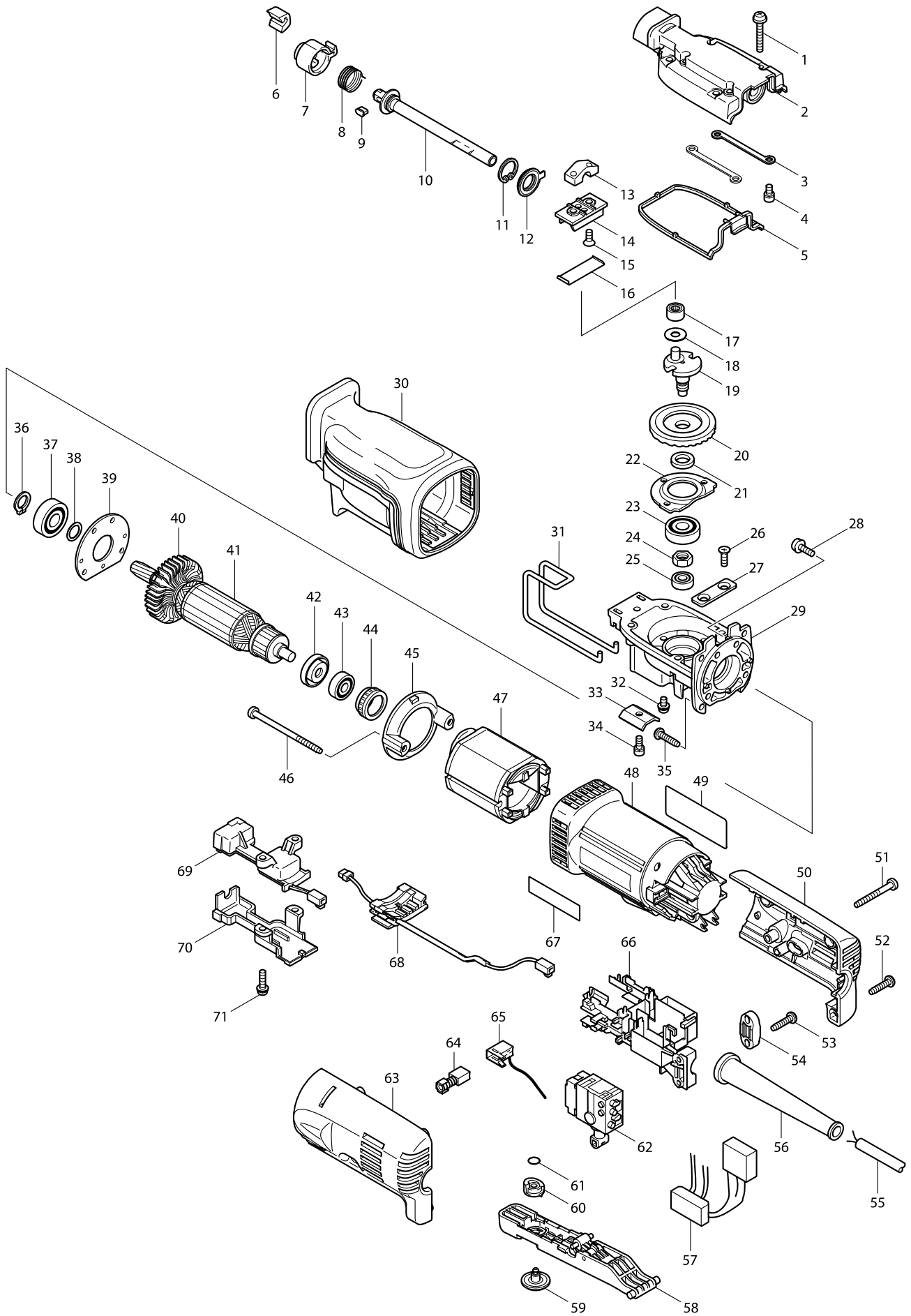


# Model No. JR1000FT RECIPRO SAW



# Model No. JR1000FT RECIPRO SAW

Item	Parts No.	Description	I/C	Qty	N/O	Opt. 1	Opt. 2	Note
001	911148-2	PAN HEAD SCREW M4X25		4				
002	153877-3	GEAR HOUSING COVER COMPLETE		1				
003	345428-8	SLIDE PLATE		2				
004	922106-3	HEX. SOCKET HEAD BOLT M4X8		4				
005	421864-3	PACKING		1				
006	418636-5	HOLDER COVER		1				
007	310136-0	BLADE HOLDER		1				
008	231660-9	TORSION SPRING 15		1				
009	310135-2	PUSH PIN		1				
010	165391-7	ROD		1				
011	962068-3	RETAINING RING R-18		1				
012	421817-2	DUST COVER		1				
013	317787-0	HOLDER		1				
014	310028-3	SLIDER		1				
015	265035-0	COUNTERSUNK HEAD SCREW M4X10		2				
016	344232-2	THRUST PLATE		1				
017	212010-7	NEEDLE BEARING 607		1				
018	253332-6	THIN WASHER 6		1				
019	324435-4	GEAR SHAFT		1				
020	227463-7	SPIRAL BEVEL GEAR 37		1				
021	257151-2	RING 10		1				
022	285713-6	BEARING RETAINER 37		1				
023	211051-0	BALL BEARING 609LLB		1				
024	931403-6	HEX. NUT M8		1				
025	210006-2	BALL BEARING 696ZZ		1				
026	912112-6	COUNTERSUNK HEAD SCREW M4X10		2				
027	345429-6	PLATE		1				
028	911516-9	PAN HEAD SCREW M4X12		4				
029	317785-4	GEAR HOUSING		1				
030	421865-1	INSULATION COVER		1				
031	324436-2	SHOE		1				
032	911506-2	PAN HEAD SCREW M4X8		3				
033	345435-1	PLATE		1				
034	922111-0	HEX. SOCKET HEAD BOLT M4X10		1				
035	265995-6	TAPPING SCREW 4X18		4				
036	961006-2	RETAINING RING S-10		1				
037	210059-1	BALL BEARING 6000DDW		1				
038	267070-4	FLAT WASHER 10		1				
039	285714-4	BEARING RETAINER 43		1				
040	240061-0	FAN 48		1				
041	517603-8	ARMATURE ASS'Y 220-240V		1				
D10		INC. 40,42,43						
042	681636-0	INSULATION WASHER		1				
043	211021-9	BALL BEARING 607LLB		1				
044	421494-0	RUBBER RING 19		1				
045	418033-5	BAFFLE PLATE		1				
046	266315-7	TAPPING SCREW MT 4X65		2				
047	635083-7	FIELD 220-240V		1				

