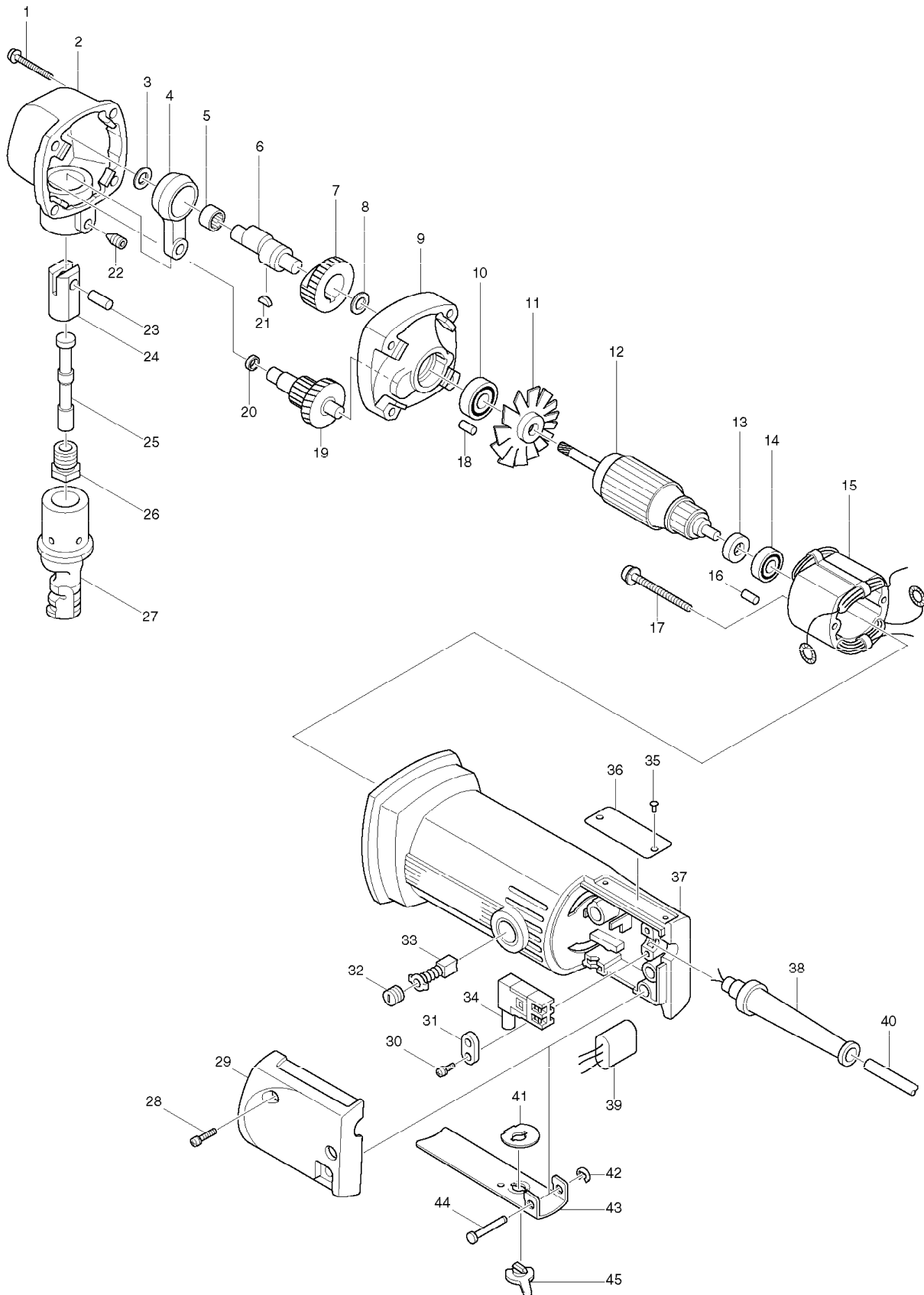


SERVICE DRAWING

MODEL NO. JN1600



SPARE PARTS LIST

MODEL NO. JN1600

ITEM	PART NO.	DESCRIPTION	QTY	NOTE
001	911161-0	PAN HEAD SCREW M4X35	4	
002	157474-7	GEAR HOUSING	1	
003	253139-0	FLAT WASHER 8	1	
004	331153-7	ROD	1	
005	212151-9	NEEDLE BEARING 1412	1	
006	321317-1	CRANK SHAFT	1	
007	221873-0	SPUR GEAR 44	1	
008	253215-0	FLAT WASHER 8	1	
009	156728-9	GEAR HOUSING COVER	1	
010	211033-2	BALL BEARING 608LB	1	
011	241081-7	FAN 58	1	
012	511818-9	ARMATURE ASS'Y 220V 220V	1	220V
013	681614-0	INSULATION WASHER	1	
014	211028-5	BALL BEARING 627LB	1	
015	*****	*****	***	*****
016	263002-9	RUBBER PIN 4	1	
017	*****	*****	***	*****
018	263002-9	RUBBER PIN 4	1	
019	226054-1	GEAR COMPLETE 23-37	1	
020	253308-3	THIN WASHER 6	1	
021	254002-0	WOODRUFF KEY 3	1	
022	251995-2	H.S.SET SCREW(CONE POINT)M6X10	1	
023	256111-1	PIN 6	1	
024	321318-9	RAM	1	
025	792265-5	PUNCH	1	
026	321319-7	SCREW	1	
027	792264-7	DIE	1	
028	911158-9	PAN HEAD SCREW M4X30	2	
029	411981-7	SWITCH COVER	1	
030	911133-5	PAN HEAD SCREW M4X18	2	
031	687031-2	STRAIN RELIEF	1	
032	643550-8	BRUSH HOLDER CAP 5-8	2	
033	191628-6	CARBON BRUSH CB-65	1	
034	651821-9	SWITCH ZGM-54	1	
035	953106-2	RIVET 0-5	2	
036	815664-5	NAME PLATE JN1600	1	
037	157720-8	MOTOR HOUSING	1	
038	682521-0	CORD GUARD 10	1	
039	*****	*****	***	*****
040	665852-2	POWER SUPPLY CORD 1.0-2-2.0	1	
041	232062-2	LEAF SPRING	1	
042	961017-7	STOP RING E-3	1	
043	341858-1	SWITCH LEVER	1	
044	256626-8	PIN 4	1	
045	411784-9	SAFETY LOCK	1	
400	410048-8	WRENCH HOLDER 3.4	1	
401	783201-2	HEX. WRENCH 3	1	
900	231322-9	COMPRESSION SPRING 3	1	
901	341930-9	LOCK LEVER	1	