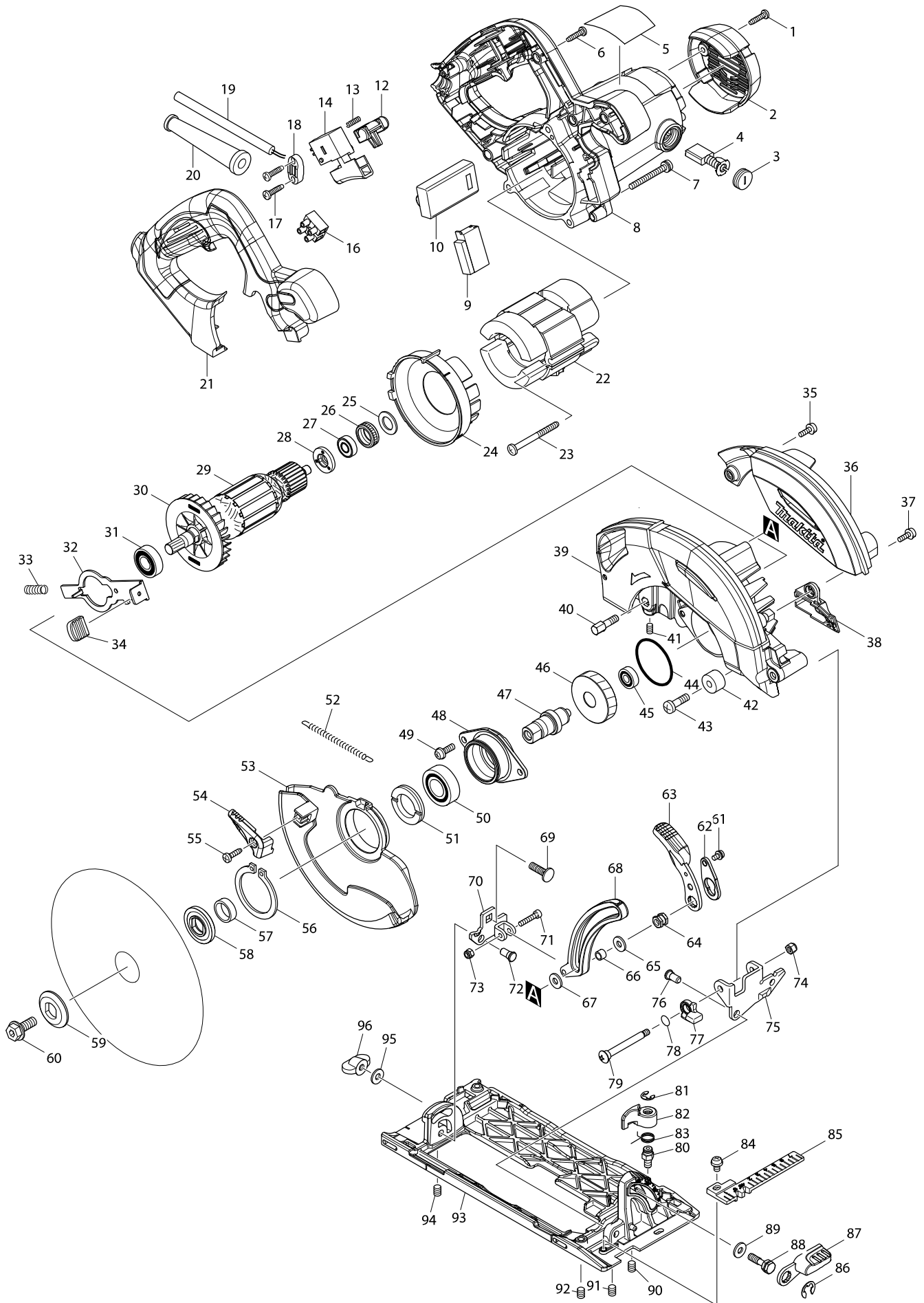


Model No. HS6101 165MM CIRCULAR SAW



Model No. HS6101 165MM CIRCULAR SAW

| Item | Parts No. | Description | I/C | Qty | N/O | Opt. 1 | Opt. 2 | Note |
|-------|-----------|------------------------------|-----|-----|-----|--------|--------|------|
| 001 | 265995-6 | TAPPING SCREW 4X18 | | 2 | | | | |
| 002 | 453288-5 | REAR COVER | | 1 | | | | |
| 003 | 643650-4 | BRUSH HOLDER CAP 6.5-13.5 | | 2 | * | | | |
| 003-1 | 643650-4 | BRUSH HOLDER CAP 6.5-13.5 | O | 2 | | | | |
| 004 | 196018-8 | CARBON BRUSH SET CB-174 | | 1 | * | | | |
| 004-1 | 196018-8 | CARBON BRUSH SET CB-174 | < | 1 | | | | |
| 005 | 896700-6 | HS6101 NAME PLATE | | 1 | | | | |
| 006 | 265995-6 | TAPPING SCREW 4X18 | | 5 | | | | |
| 007 | 911268-2 | PAN HEAD SCREW M5X45 | | 3 | | | | |
| 008 | 141310-7 | MOTOR HOUSING COMPLETE | | 1 | | | | |
| C10 | 643653-8 | BRUSH HOLDER 6.5-13.5 | | 2 | * | | | |
| C11 | 643536-2 | BRUSH HOLDER 6.5X13.5 | < | 2 | | | | |
| 009 | 631710-4 | LIGHT CIRCUIT | | 1 | | | | |
| 010 | 620075-9 | CONTROLLER | | 1 | | | | |
| 012 | 453284-3 | LOCK OFF BUTTON | | 1 | | | | |
| 013 | 231469-9 | COMPRESSION SPRING 4 | | 1 | | | | |
| 014 | 651362-5 | SWITCH SGE210R-3 | | 1 | | | | |
| 016 | 654531-7 | TERMINAL BLOCK 2P | | 1 | | | | |
| 017 | 265995-6 | TAPPING SCREW 4X18 | | 2 | | | | |
| 018 | 687052-4 | STRAIN RELIEF | | 1 | | | | |
| 019 | 665890-4 | POWER SUPPLY CORD 1.0-2-4.0 | | 1 | | | | |
| 020 | 682540-6 | CORD GUARD 9.3-90 | | 1 | | | | |
| 021 | 453282-7 | HANDLE COVER | | 1 | | | | |
| 022 | 628817-5 | FIELD 220V | | 1 | | | | |
| 023 | 266095-5 | TAPPING SCREW 5X55 | | 2 | | | | |
| 024 | 453283-5 | BAFFLE PLATE | | 1 | | | | |
| 025 | 261103-7 | RUBBER WASHER 13 | | 1 | | | | |
| 026 | 421479-6 | RUBBER RING 19 | | 1 | | | | |
| 027 | 210016-9 | BALL BEARING 698ZZ | | 1 | | | | |
| 028 | 681654-8 | INSULATION WASHER | | 1 | | | | |
| 029 | 513838-9 | ARMATURE ASS'Y 220V | | 1 | | | | |
| D10 | | INC. 27,28,30,31 | | | | | | |
| 030 | 240133-1 | FAN 70 | | 1 | | | | |
| 031 | 211131-2 | BALL BEARING 6001DDW | | 1 | | | | |
| 032 | 346547-3 | SHAFT LOCK | | 1 | | | | |
| 033 | 233429-7 | COMPRESSION SPRING 7 | | 1 | | | | |
| 034 | 286275-7 | CAP | | 1 | | | | |
| 035 | 911118-1 | PAN HEAD SCREW M4X12 | | 1 | | | | |
| 036 | 453292-4 | BLADE COVER | | 1 | | | | |
| 037 | 911118-1 | PAN HEAD SCREW M4X12 | | 1 | | | | |
| 038 | 453290-8 | DUCT | | 1 | | | | |
| 039 | 141314-9 | BLADE CASE COMPLETE | | 1 | | | | |
| 040 | 265594-4 | HEX.BOLT M6X18 | | 1 | | | | |
| 041 | 266229-0 | H.S.SET SCREW(CUP POINT)M5X8 | | 1 | | | | |
| 042 | 262552-1 | RUBBER SLEEVE 6 | | 1 | | | | |
| 043 | 251247-1 | + PAN HEAD SCREW M6X20 | | 1 | | | | |
| 044 | 213560-5 | O RING 44 | | 1 | | | | |
| 045 | 211022-7 | BALL BEARING 607ZZ | | 1 | | | | |

Model No. HS6101 165MM CIRCULAR SAW

| Item | Parts No. | Description | I/C | Qty | N/O | Opt. 1 | Opt. 2 | Note |
|-------|-----------|------------------------------|-----|-----|-----|--------|--------|------|
| 046 | 227755-4 | HELICAL GEAR 40 | | 1 | | | | |
| 047 | 326127-1 | SPINDLE | | 1 | | | | |
| 048 | 318820-1 | BEARING BOX | | 1 | | | | |
| 049 | 911223-4 | PAN HEAD SCREW M5X16 | | 2 | | | | |
| 050 | 211275-8 | BALL BEARING 6003DDW | | 1 | | | | |
| 051 | 285848-3 | BEARING RETAINER 23-36 | | 1 | | | | |
| 052 | 231878-2 | TENSION SPRING 4 | | 1 | | | | |
| 053 | 318826-9 | SAFETY COVER | | 1 | | | | |
| 054 | 272271-1 | LEVER 37 | | 1 | | | | |
| 055 | 266034-5 | TAPPING SCREW CT 4X16 | | 1 | | | | |
| 056 | 961201-4 | RETAINING RING S-42 | | 1 | | | | |
| 057 | 257279-6 | RING 17 | | 1 | | | | |
| 058 | 224412-5 | INNER FLANGE 35 | | 1 | * | | | |
| 058-1 | 224473-5 | INNER FLANGE 35 | O | 1 | * | | | |
| 058-2 | 224593-5 | INNER FLANGE 35 | < | 1 | | | | |
| 059 | 224409-4 | OUTER FLANGE 35 | | 1 | | | | |
| 060 | 266283-4 | HEX. SOCKET HEX. BOLT M8X20 | | 1 | | | | |
| 061 | 911108-4 | PAN HEAD SCREW M4X8 | | 1 | | | | |
| 062 | 453362-9 | LOCK PLATE | | 1 | | | | |
| 063 | 272273-7 | LEVER 70 | | 1 | | | | |
| 064 | 264071-3 | HEX. NUT M6 | | 1 | | | | |
| 065 | 267100-1 | FLAT WASHER 6 | | 1 | | | | |
| 066 | 257669-3 | SLEEVE 6 | | 1 | | | | |
| 067 | 267100-1 | FLAT WASHER 6 | | 1 | | | | |
| 068 | 141315-7 | DEPTH GUIDE COMPLETE | | 1 | | | | |
| 069 | 251919-8 | CAP SQUARE NECK BOLT M6X20 | | 1 | | | | |
| 070 | 165670-3 | REAR ANGULAR GUIDE | | 1 | | | | |
| 071 | 922137-2 | HEX. SOCKET HEAD BOLT M4X20 | | 1 | | | | |
| 072 | 256480-0 | SHOULDER PIN 6-7 | | 1 | | | | |
| 073 | 252126-6 | HEX. LOCKING NUT M4-7 | | 1 | | | | |
| 074 | 252103-8 | HEX. LOCK NUT M5-8 | | 1 | | | | |
| 075 | 345590-9 | ANGULAR GUIDE | | 1 | | | | |
| 076 | 256480-0 | SHOULDER PIN 6-7 | | 1 | | | | |
| 077 | 318823-5 | STOPPER | | 1 | | | | |
| 078 | 213062-1 | O RING 9 | | 1 | | | | |
| 079 | 266734-7 | + TRUSS HEAD SCREW M5 | | 1 | | | | |
| 080 | 265571-6 | HEX. BOLT M6X10 | | 2 | | | | |
| 081 | 961012-7 | STOP RING E-6 | | 2 | | | | |
| 082 | 453165-1 | LOCK LEVER | | 2 | | | | |
| 083 | 233596-8 | TORSION SPRING 11 | | 2 | | | | |
| 084 | 911203-0 | PAN HEAD SCREW M5X8 | | 1 | | | | |
| 085 | 453291-6 | TOP GUIDE | | 1 | | | | |
| 086 | 257982-9 | BOW STOP RING E-8 | | 1 | | | | |
| 087 | 272272-9 | LEVER 45 | | 1 | | | | |
| 088 | 266735-5 | HEX.BOLT M6X20 | | 1 | | | | |
| 089 | 267100-1 | FLAT WASHER 6 | | 1 | | | | |
| 090 | 266208-8 | H.S.SET SCREW(CUP POINT)M6X8 | | 1 | | | | |
| 091 | 266208-8 | H.S.SET SCREW(CUP POINT)M6X8 | | 1 | | | | |

