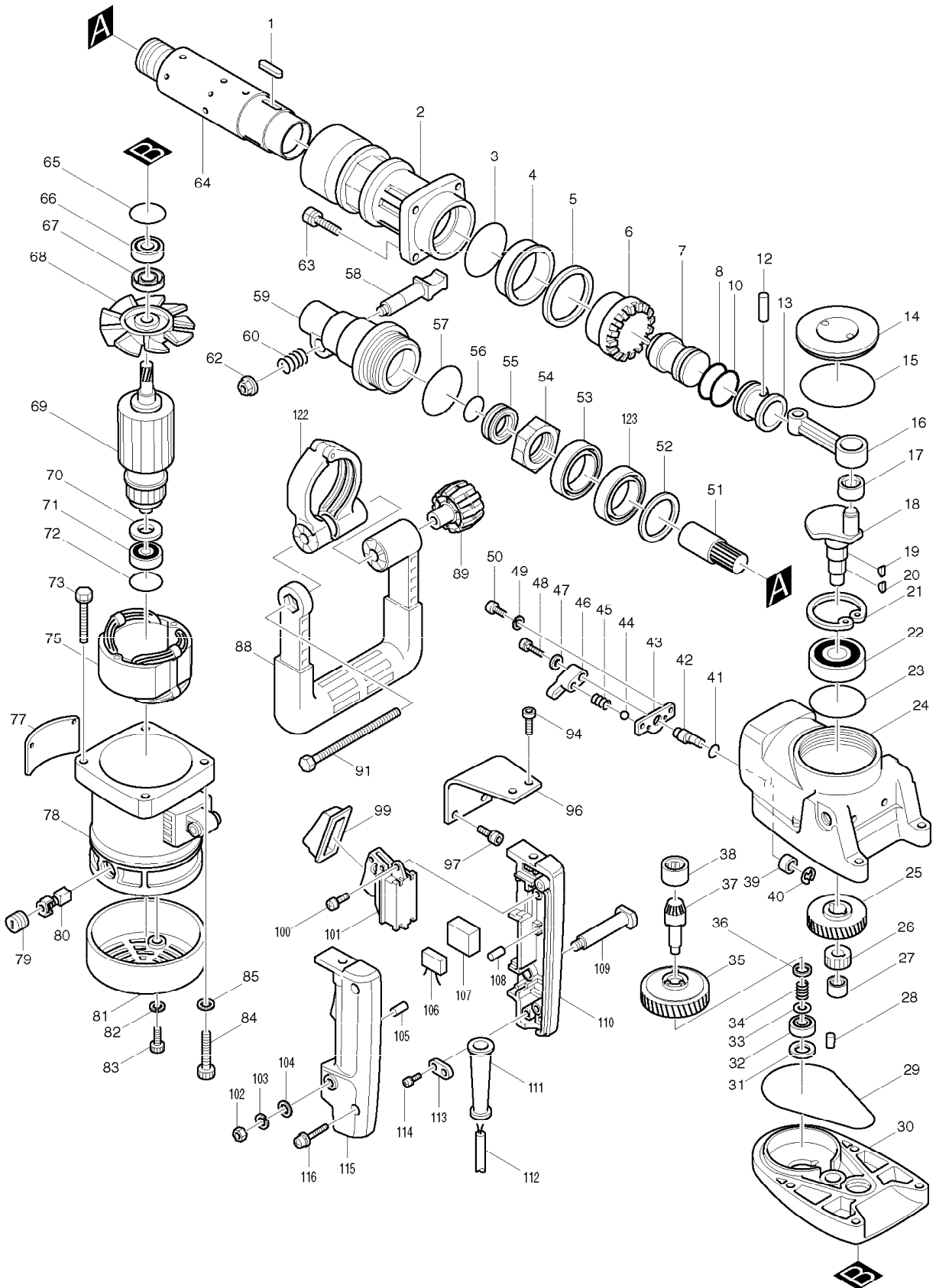


# SERVICE DRAWING

MODEL NO. HR5000



# SPARE PARTS LIST

MODEL NO. HR5000

ITEM	PART NO.	DESCRIPTION	QTY	NOTE
001	254231-5	KEY 4	3	
002	316068-9	BARREL	1	
003	213707-1	O RING 65	1	
004	214653-1	PLANE BEARING 52	1	
005	267044-5	FLAT WASHER 52	1	
006	221380-3	SPIRAL BEVEL GEAR 41	1	
007	*****	*****	***	*****
008	*****	*****	***	*****
010	*****	*****	***	*****
012	256120-0	PIN 10	1	
013	*****	*****	***	*****
014	*****	*****	***	*****
015	213754-2	O RING 71	1	
016	315419-3	CONNECTING ROD	1	
017	212208-6	NEEDLE BEARING 1516	1	
018	153176-3	CRANK SHAFT COMPLETE	1	
019	254001-2	WOODRUFF KEY 4	2	
020	254001-2	WOODRUFF KEY 4	1	
021	962251-2	RETAINING RING R-52	1	
022	*****	*****	***	*****
023	213656-2	O RING 53	1	
024	157868-6	CRANK HOUSING COMPLETE	1	
025	221761-1	HELICAL GEAR 41	1	
026	221957-4	SPUR GEAR 24	1	
027	212113-7	NEEDLE BEARING 1212	1	
028	263005-3	RUBBER PIN 6	1	
029	*****	*****	***	*****
030	*****	*****	***	*****
031	253787-5	FLAT WASHER 16	1	
032	210004-6	BALL BEARING 638	1	
033	253865-1	FLAT WASHER 8	1	
034	231446-1	COMPRESSION SPRING 12	1	
035	134499-8	TORQUE LIMITER ASS'Y	1	
036	253310-6	THIN WASHER 10	1	
037	153174-7	GEAR COMPLETE	1	
038	212359-5	NEEDLE BEARING 2216	1	
039	212011-5	NEEDLE BEARING 609	1	
040	961011-9	STOP RING E-4	1	
041	213055-8	O RING 10	1	
042	322187-1	CHANGE SHAFT	1	
043	342786-3	PLATE	1	
044	216002-8	STEEL BALL 4.8	1	
045	231317-2	COMPRESSION SPRING 3	1	
046	410331-3	CHANGE LEVER	1	
047	941052-1	FLAT WASHER 4	1	
048	922126-7	HEX. SOCKET HEAD BOLT M4X16	1	
049	942101-7	SPRING WASHER 5	2	
050	922212-4	HEX. SOCKET HEAD BOLT M5X12	2	
051	322156-2	IMPACT BOLT	1	
052	267043-7	FLAT WASHER 43	1	
053	211469-5	BALL BEARING 6907	1	
054	252119-3	DODEC. NUT M34.8-41	1	
055	*****	*****	***	*****
056	213411-2	O RING 27	1	

# SPARE PARTS LIST

MODEL NO. HR5000

ITEM	PART NO.	DESCRIPTION	QTY	NOTE
057	213663-5	O RING 55	1	
058	331132-5	TOOL RETAINER	1	
059	322203-9	TOOL HOLDER	1	
060	231281-7	COMPRESSION SPRING 15	1	
062	252046-4	HEX. NUT M8-13	1	
063	922451-6	HEX. SOCKET HEAD BOLT M8X30	4	
064	152396-6	CYLINDER LINER COMPLETE	1	
065	213459-4	O RING 32	1	
066	211129-9	BALL BEARING 6201DDW	1	
067	213160-1	OIL SEAL 14	1	
068	241634-2	FAN 94	1	
069	518478-8	ARMATURE ASS'Y 220V	1	
070	*****	*****	***	*****
071	*****	*****	***	*****
072	213406-5	O RING 30	1	
073	265346-3	+ HEX. BOLT M5X55	2	
075	524833-4	FIELD ASS'Y 220V	1	
076	953106-2	RIVET 0-5	4	
077	855983-7	NAME PLATE HR5000	1	
078	159054-5	MOTOR HOUSING	1	
079	643650-4	BRUSH HOLDER CAP 6.5-13.5	2	
080	181048-2	A.C. CARBON BRUSH CB-155	1	
081	284055-5	REAR COVER	1	
082	942101-7	SPRING WASHER 5	2	
083	*****	*****	***	*****
084	922376-4	HEX. SOCKET HEAD BOLT M6X55	4	
085	941151-9	FLAT WASHER 6	4	
088	*****	*****	***	*****
089	*****	*****	***	*****
091	*****	*****	***	*****
094	922316-2	HEX. SOCKET HEAD BOLT M6X14	2	
096	343754-9	CUSHION PLATE	2	
097	265914-2	HEX. SOCKET HEAD BOLT M6X25	2	
099	421265-5	DUST COVER	1	
100	911129-6	PAN HEAD SCREW M4X16	1	
101	651145-3	SWITCH C3D-H-MS	1	
102	931302-2	HEX. NUT M6	1	
103	942151-2	SPRING WASHER 6	1	
104	941151-9	FLAT WASHER 6	1	
105	263002-9	RUBBER PIN 4	1	
106	645209-3	NOISE SUPPRESSOR	1	
107	685722-9	SPONGE	1	
108	263002-9	RUBBER PIN 4	1	
109	321210-9	HANDLE SHAFT	1	
110	182077-8	HANDLE SET	1	
111	*****	*****	***	*****
112	665883-1	POWER SUPPLY CORD 1.0-2-5.0	1	
113	687031-2	STRAIN RELIEF	1	
114	911133-5	PAN HEAD SCREW M4X18	2	
115	182077-8	HANDLE SET	1	
116	911243-8	PAN HEAD SCREW M5X25	2	

# SPARE PARTS LIST

MODEL NO. HR5000

ITEM	PART NO.	DESCRIPTION	QTY	NOTE
117	262051-3	RUBBER RING 9	2	
118	262052-1	RUBBER RING 9	2	
119	257636-8	SLEEVE 6	2	
120	*****	*****	***	*****
121	*****	*****	***	*****
122	*****	*****	***	*****
123	211469-5	BALL BEARING 6907	1	
400	150589-9	PLASTIC CARRYING CASE COMP.	1	
401	783202-0	HEX. WRENCH 4	1	
404	273472-4	GRIP 32	1	
500	*****	*****	***	*****