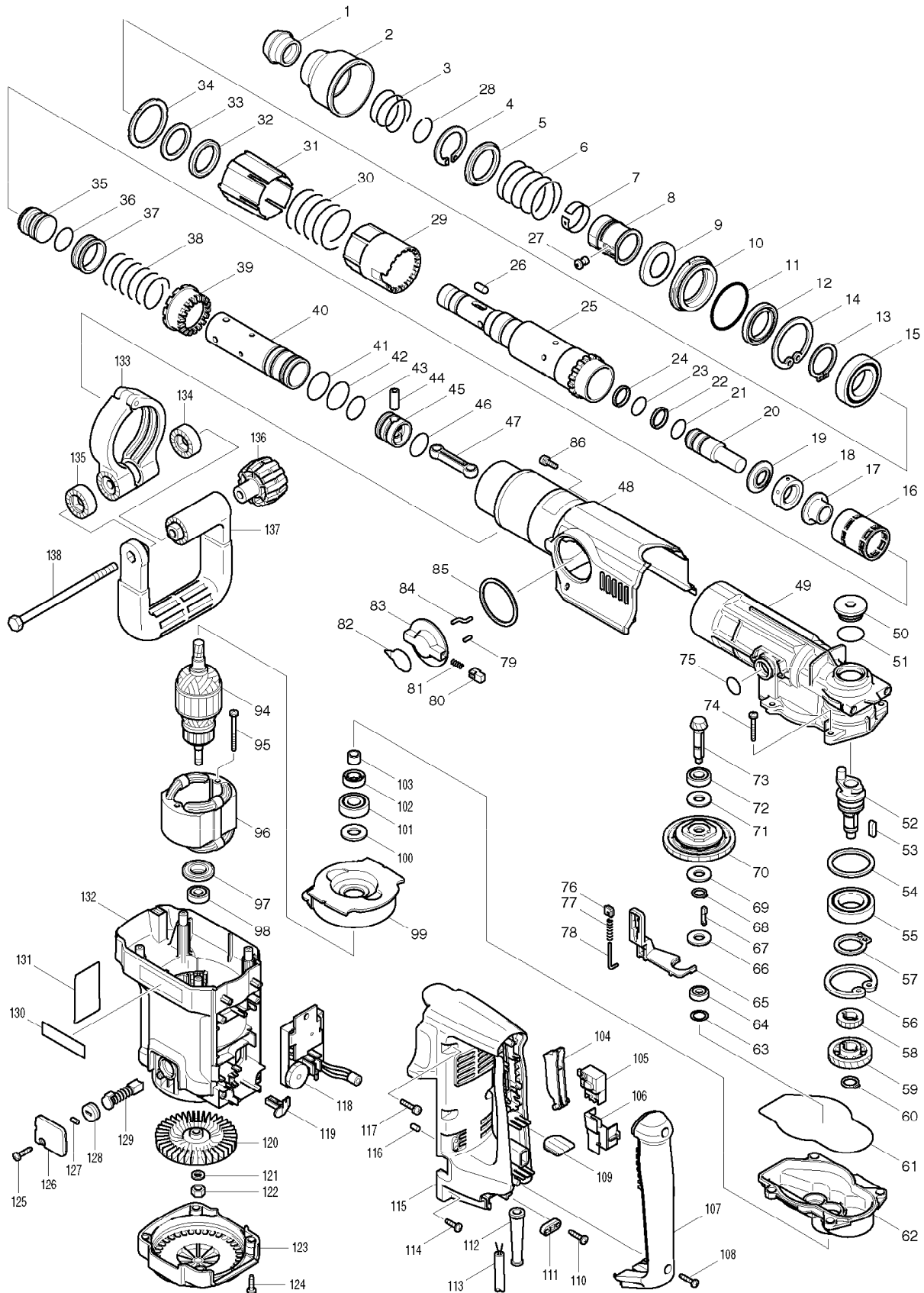


# SERVICE DRAWING

MODEL NO. HR4500C



# SPARE PARTS LIST

MODEL NO. HR4500C

ITEM	PART NO.	DESCRIPTION	QTY	NOTE
001	286259-5	TOOL HOLDER CAP	1	
002	417459-8	CHUCK COVER	1	
003	233178-6	COMPRESSION SPRING 46	1	
004	961186-4	RETAINING RING WR-40	1	
005	344489-5	WASHER 40	1	
006	233179-4	COMPRESSION SPRING 50	1	
007	232171-7	LEAF SPRING 37	1	
008	322948-9	CHUCK RING	1	
009	344488-7	CUP WASHER 32	1	
010	417435-2	SEAL CASE	1	
011	213669-3	O RING 56	1	
012	213480-3	OIL SEAL 35	1	
013	961153-9	RETAINING RING S-35	1	
014	962301-3	RETAINING RING R-62	1	
015	211471-8	BALL BEARING 6007LLU	1	
016	417434-4	SLIDE SLEEVE	1	
017	331589-0	SLEEVE 19	1	
018	421767-1	RUBBER RING 22	1	
019	331597-1	WASHER 19	1	
020	324088-9	IMPACT BOLT	1	
021	213317-4	O RING 20	1	
022	213392-0	FLUORIDE RING 25	1	
023	213317-4	O RING 20	1	
024	213392-0	FLUORIDE RING 25	1	
025	324064-3	TOOL HOLDER	1	
026	322908-1	ROLLER 8	2	
027	310052-6	SHOULDER PIN 8	1	
028	231984-3	RING SPRING 25	1	
029	417437-8	LOCK SLEEVE A	1	
030	233300-5	COMPRESSION SPRING 55	1	
031	417436-0	LOCK SLEEVE B	1	
032	262093-7	URETHAN RING 35	1	
033	267221-9	FLAT WASHER 35	1	
034	267222-7	FLAT WASHER 49	1	
035	324089-7	STRIKER	1	
036	213440-5	O RING 27	1	
037	331599-7	RING 38	1	
038	233299-4	COMPRESSION SPRING 39	1	
039	227401-9	SPIRAL BEVEL GEAR 36	1	
040	331592-1	CYLINDER 34	1	
041	213486-1	O RING 35	1	
042	213486-1	O RING 35	1	
043	213440-5	O RING 27	1	
044	331598-9	PIPE 10	1	
045	417433-6	PISTON	1	
046	213440-5	O RING 27	1	
047	417432-8	ROD	1	
048	152766-9	CRANK HOUSING COVER COMPLETE	1	
049	152764-3	CRANK HOUSING COMPLETE	1	
050	*****	*****	***	*****
051	213406-5	O RING 30	1	
052	324065-1	CRANK SHAFT	1	
053	254218-7	KEY 5	2	
054	267219-6	FLAT WASHER 45	1	
055	211418-2	BALL BEARING 6006LLU	1	
056	962252-0	RETAINING RING R-55	1	

# SPARE PARTS LIST

MODEL NO. HR4500C

ITEM	PART NO.	DESCRIPTION	QTY	NOTE
057	961110-7	RETAINING RING S-30	1	
058	227017-0	SPUR GEAR 22	1	
059	226533-9	HELICAL GEAR 37	1	
060	961056-7	RETAINING RING S-16	1	
061	421768-9	SEAL RING	1	
062	152765-1	GEAR HOUSING COMPLETE	1	
063	253314-8	THIN WASHER 15	1	
064	210024-0	BALL BEARING 608LLU	1	
065	417438-6	CHANGE LINK	1	
066	253810-6	FLAT WASHER 12	1	
067	322951-0	CHANGE KEY	2	
068	961052-5	RETAINING RING S-12	1	
069	267113-2	FLAT WASHER 12	1	
070	*****	*****	***	*****
071	267113-2	FLAT WASHER 12	1	
072	211138-8	BALL BEARING 6001LLU	1	
073	227405-1	SPIRAL BEVEL GEAR 10	1	
074	266012-5	TAPPING SCREW 5X35	4	
075	213304-3	O RING 20	1	
076	416289-4	SLIDE PLATE	1	
077	233180-9	COMPRESSION SPRING 3	1	
078	322963-3	GUIDE PIN 2	1	
079	256122-6	PIN 4	1	
080	417340-3	LOCK BUTTON	1	
081	233188-3	COMPRESSION SPRING 2.4	1	
082	816329-2	INDICATION LABEL	1	
083	416287-8	CHANGE LEVER	1	
084	322962-5	CRANK PIN 4	1	
085	421698-4	DUSTPROOF WASHER 55	1	
086	911128-8	PAN HEAD SCREW M4X16	1	
094	*****	*****	***	*****
095	266046-8	TAPPING SCREW 5X50	2	
096	526113-4	FIELD ASS'Y 220-240V	1	
097	681642-5	INSULATION WASHER	1	
098	211088-7	BALL BEARING 6000DDW	1	
099	417439-4	BAFFLE PLATE	1	
100	267025-9	FLAT WASHER 15	1	
101	211238-4	BALL BEARING 6202LLU	1	
102	213231-4	OIL SEAL 15	1	
103	331596-3	SLEEVE 12	1	
104	416284-4	SWITCH LEVER	1	
105	651922-3	SWITCH TG71B	1	
106	416126-2	LEAD GUIDE	1	
107	417443-3	HANDLE COVER	1	
108	265995-6	TAPPING SCREW 4X18	2	
109	421583-1	SPONGE SHEET	1	
110	265995-6	TAPPING SCREW 4X18	2	
111	687053-2	STRAIN RELIEF	1	
112	682560-0	CORD GUARD 10	1	
113	695123-3	POWER SUPPLY CORD 1.5-2-4.0	1	
114	266021-4	TAPPING SCREW 5X20	4	
115	417444-1	HANDLE	1	
116	416285-2	ACRYLIC PIN 5	2	
117	911233-1	PAN HEAD SCREW M5X20	2	
118	631433-4	CONTROLLER	1	
119	417431-0	FIX ROD	1	

# SPARE PARTS LIST

MODEL NO. HR4500C

ITEM	PART NO.	DESCRIPTION	QTY	NOTE
120	240016-5	FAN 90	1	
121	253165-9	FLAT WASHER 8	1	
122	931403-6	HEX. NUT M8	1	
123	417441-7	REAR COVER	1	
124	266021-4	TAPPING SCREW 5X20	4	
125	265995-6	TAPPING SCREW 4X18	2	
126	416292-5	BRUSH HOLDER COVER	2	
127	263002-9	RUBBER PIN 4	2	
128	643650-4	BRUSH HOLDER CAP 6.5-13.5	2	
129	181048-2	A.C. CARBON BRUSH CB-155	1	
130	819064-1	MAKITA MARK	2	
131	852945-6	NAME PLATE HR4500C	1	
132	183332-1	MOTOR HOUSING SET	1	
133	152768-5	SIDE HANDLE BASE 75 COMPLETE	1	
134	417002-3	SIDE HANDLE CAM	1	
135	417002-3	SIDE HANDLE CAM	1	
136	252640-2	WING NUT M8	1	
137	417003-1	SIDE HANDLE	1	
138	265439-6	HEX. BOLT M8X150	1	
A01	*****	*****	***	*****
A02	824607-6	PLASTIC CARRYING CASE	1	
A03	321248-4	DEPTH GAUGE	1	
A04	152554-4	GRIP 36 COMPLETE	1	
A05	265701-9	SCREW M6X14	1	
A06	266163-4	CUP SQUARE NECK BOLT M8X80	1	
A07	344492-6	PLATE	1	
A08	344949-7	GRIP SPRING 75	1	
A09	417442-5	SIDE GRIP BASE 75	1	
A10	931302-2	HEX. NUT M6	1	
B01	134915-0	SIDE HANDLE ASS'Y	1	
B02	134916-8	GRIP 36 ASS'Y	1	