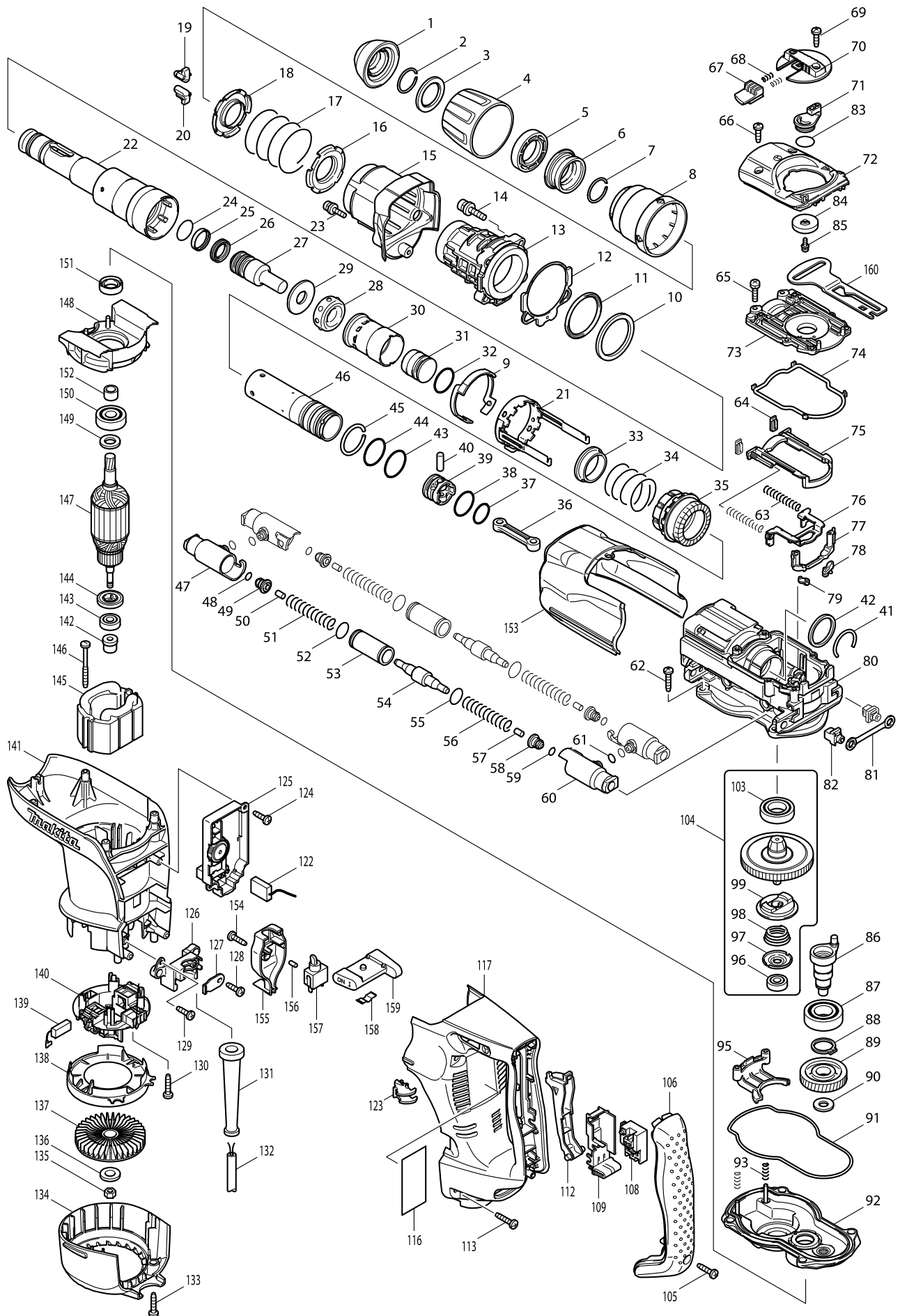


Model No. HR4010C ROTARY HAMMER 40MM



Model No. HR4010C ROTARY HAMMER 40MM

Item	Parts No.	Description	I/C	Qty	N/O	Opt. 1	Opt. 2	Note
001	286272-3	TOOL HOLDER CAP		1	*			
001-1	286285-4	TOOL HOLDER CAP	<	1				
002	231984-3	RING SPRING 25		1				
003	267272-2	FLAT WASHER 28		1				
004	419015-0	CHUCK COVER		1				
005	419002-9	SPACER		1				
006	324548-1	CHUCK RING		1				
007	231984-3	RING SPRING 25		1				
008	419016-8	RELEASE COVER		1				
009	419017-6	LOCK SLEEVE GUIDE		1	*			
009-1	419760-7	LOCK SLEEVE GUIDE	S	1				
010	267298-4	FLAT WASHER 45		1	*			
010-1	267336-2	FLAT WASHER 45	S	1				
011	262116-1	URETHAN RING 45		1				
012	421911-0	SEAL SHEET		1				
013	154621-1	BARREL COMPLETE		1				
014	922353-6	HEX.SOCKET HEAD BOLT M6X30		4				
015	154624-5	BARREL COVER COMPLETE		1				
C10	810100-6	CAUTION LABEL		1				
016	345579-7	SPRING GUIDE		1				
017	233431-0	COMPRESSION SPRING 48		1				
018	345579-7	SPRING GUIDE		1				
019	310161-1	TOOL RETAINER		1				
020	310161-1	TOOL RETAINER		1				
021	165407-8	LOCK SLEEVE		1	*			
021-1	165446-8	LOCK SLEEVE	<	1	*			
021-2	165633-9	LOCK SLEEVE	<	1				
022	324542-3	TOOL HOLDER		1				
023	922128-3	HEX. SOCKET HEAD BOLT M4X16		1	*			
023-1	266437-3	HEX. SOCKET HEAD BOLT M4X16	<	1				
024	213317-4	O RING 20		1				
025	213392-0	FLUORIDE RING 25		1				
026	213281-9	X-RING 18		1				
027	324569-3	IMPACT BOLT		1				
028	421901-3	RUBBER RING 17		1				
029	324573-2	RING 17		1				
030	419003-7	SLIDE SLEEVE		1				
031	324571-6	STRIKER		1				
032	213962-5	O RING 22		1				
033	331709-6	RING 33		1				
034	233448-3	COMPRESSION SPRING 37		1				
035	227486-5	STRAIGHT BEVEL GEAR 25		1	*			
035-1	227509-9	STRAIGHT BEVEL GEAR 25	<	1				
036	419005-3	CONNECTING ROD		1				
037	213379-2	O RING 21		1				
038	213962-5	O RING 22		1				
039	419004-5	PISTON		1				
040	256197-5	PIN 7		1				

Model No. HR4010C ROTARY HAMMER 40MM

Item	Parts No.	Description	I/C	Qty	N/O	Opt. 1	Opt. 2	Note
041	233937-8	RING SPRING 31		1				
042	257268-1	RING 33		1				
043	213406-5	O RING 30		1				
044	213406-5	O RING 30		1				
045	233935-2	RING SPRING 32		1				
046	324570-8	CYLINDER 28.5		1				
047	317923-8	PIPE HOLDER		2				
048	213030-4	O RING 8		2				
049	419011-8	SPRING GUIDE		2				
050	263005-3	RUBBER PIN 6		2				
051	233435-2	COMPRESSION SPRING 11		2				
052	213275-4	O RING 18		2				
053	324572-4	PIPE 16		2				
054	324574-0	COUNTER WEIGHT		2	*			
054-1	324574-0	COUNTER WEIGHT	O	2				
055	213275-4	O RING 18		2				
056	233435-2	COMPRESSION SPRING 11		2				
057	263005-3	RUBBER PIN 6		2				
058	419011-8	SPRING GUIDE		2				
059	213030-4	O RING 8		2				
060	317923-8	PIPE HOLDER		2				
061	213030-4	O RING 8		4				
062	266041-8	TAPPING SCREW 5X25		4				
063	233432-8	COMPRESSION SPRING 7		2				
064	421910-2	SEAL PLATE		2				
065	911133-5	PAN HEAD SCREW M4X18		6				
066	266192-7	TAPPING SCREW 4X14		2				
067	419009-5	LOCK BUTTON		1				
068	233436-0	COMPRESSION SPRING 3		2				
069	266192-7	TAPPING SCREW 4X14		1				
070	419020-7	CHANGE LEVER		1				
071	419007-9	CRANK LEVER		1				
072	317925-4	CRANK CAP COVER		1				
073	419030-4	CRANK CAP		1				
074	421908-9	SEAL RING		1				
075	419019-2	LINK PLATE GUIDE		1				
076	345582-8	LINK PLATE		1				
077	419012-6	AIR PIPE		1				
078	421909-7	AIR PIPE SEAL		1				
079	421909-7	AIR PIPE SEAL		1				
080	154622-9	CRANKHOUSING COMPLETE		1				
C10	214656-5	PLANE BEARING 51		1				
C20	324568-5	RING 40		1				
081	423345-3	CUSHION PLATE		1				
082	419008-7	FIX GUIDE		2				
083	213262-3	O RING 18		1				
084	419006-1	LINK LEVER		1				
085	911511-9	PAN HEAD SCREW M4X10		1				

Model No. HR4010C ROTARY HAMMER 40MM

Item	Parts No.	Description	I/C	Qty	N/O	Opt. 1	Opt. 2	Note
086	324550-4	CRANK SHAFT		1				
087	211332-2	BALL BEARING 6004LLU		1				
088	961060-6	RETAINING RING S-20		1				
089	226605-0	HELICAL GEAR 38		1				
090	253180-3	FLAT WASHER 10		1				
091	421907-1	SEAL RING		1				
092	154623-7	GEAR HOUSING COMPLETE		1				
C10	212075-9	NEEDLE ROLLER BEARING 1010		1				
C20	268136-3	PIN 4		2				
093	233433-6	COMPRESSION SPRING 5		2				
095	419018-4	CHANGE PLATE		1				
096	210005-4	BALL BEARING 608DDW		1				
097	345581-0	CUP WASHER 8		1				
098	233936-0	CONICAL COMPRESSIONSPRING19-2		1				
099	324549-9	DRIVING FLANGE		1				
103	211323-3	BALL BEARING 6904LLU		1				
104	135086-6	TORQUE LIMITER ASS'Y		1	*			
D10		INC. 96-103			*			
104-1	135508-6	TORQUE LIMITER ASS'Y	<	1				
C10	267456-2	THIN WASHER 38		1				
D10		INC. 96-103						
105	265995-6	TAPPING SCREW 4X18		1				
106	419036-2	HANDLE COVER		1				
108	650567-4	SWITCH TG73B-1		1	*			
108-1	650676-9	SWITCH C3PA-1111	<	1				
109	154626-1	SWITCH HOLDER COMPLETE		1				
C10	423344-5	SPONGE SEAT		1				
112	419028-1	SWITCH LEVER		1				
113	266041-8	TAPPING SCREW 5X25		4				
116	861492-6	HR4010C NAME PLATE		1				
117	419040-1	HANDLE		1				
122	638407-6	LEAD UNIT		1				
123	419010-0	LENS		1				
124	266192-7	TAPPING SCREW 4X14		1	*			
124-1	266901-4	TAPPING SCREW 4X14	<	1				
125	631657-2	CONTROLLER		1				
126	419024-9	CORD CLAMP BASE		1				
127	687169-3	STRAIN RELIEF		1				
128	266192-7	TAPPING SCREW 4X14		1				
129	266192-7	TAPPING SCREW 4X14		1	*			
129-1	266901-4	TAPPING SCREW 4X14	<	1				
130	265995-6	TAPPING SCREW 4X18		4				
131	682560-0	CORD GUARD 10		1				
132	695123-3	POWER SUPPLY CORD 1.5-2-4.0		1	*			
132-1	665638-4	POWER SUPPLY CORD 1.5-2-4.0	O	1	*			
132-2	695123-3	POWER SUPPLY CORD 1.5-2-4.0	O	1				
133	265995-6	TAPPING SCREW 4X18		2				
134	419032-0	REAR COVER		1				

Model No. HR4010C ROTARY HAMMER 40MM

Item	Parts No.	Description	I/C	Qty	N/O	Opt. 1	Opt. 2	Note
135	931303-0	HEX. NUT M6		1				
136	253047-5	FLAT WASHER 6		1				
137	241876-8	FAN 76		1				
138	419022-3	FAN GUIDE		1				
139	194160-9	CARBON BRUSH CB-350		1				
140	638393-1	BRUSH HOLDER UNIT		1	*			
C10	643816-6	BRUSH HOLDER		2	*			
C20	266007-8	TAPPING SCREW BIND PT 3X10		4	*			
140-1	638715-5	BRUSH HOLDER UNIT	<	1				
141	154619-8	MOTOR HOUSING COMPLETE		1				
C10	345650-7	WASHER PLATE		1				
142	324390-0	SHOULDER SLEEVE 6		1				
143	210005-4	BALL BEARING 608DDW		1				
144	681650-6	INSULATION WASHER		1				
145	625738-2	FIELD 220-240V		1	*			
145-1	625758-6	FIELD 220-240V	<	1				
146	266095-5	TAPPING SCREW 5X55		2				
147	513633-7	ARMATURE ASS'Y 220-240V		1				
D10		INC. 143,144						
148	419021-5	BAFFLE PLATE		1				
149	253084-9	FLAT WASHER 12		1				
150	211137-0	BALL BEARING 6201LLU		1				
151	213231-4	OIL SEAL 15		1				
152	331596-3	SLEEVE 12		1				
153	419033-8	CRANK HOUSING COVER		1				
154	266192-7	TAPPING SCREW 4X14		1				
155	419026-5	SWITCH BOX		1				
156	263027-3	RUBBER PIN 4		1				
157	651418-4	SWITCH ST115A-40		1				
158	232209-8	LEAF SPRING		1				
159	154635-0	SLIDE LEVER COMPLETE		1				
C10	257754-2	SLEEVE 4		1				
C20	268138-9	FLAT FILLISTER HD.PIN 4		1				
160	419027-3	CONTROL PLATE		1				
161	421939-8	SPONGE SHEET		1				
162	819361-5	CLEAR LABEL		1				
A01	134890-0	SIDE HANDLE 68 ASS'Y		1				
C10	151769-0	SIDE HANDLE 68 COMPLETE		1				
C20	252640-2	WING NUT M8		1				
C30	265439-6	HEX. BOLT M8X150		1				
C40	417002-3	SIDE HANDLE CAM		2				
C50	417003-1	SIDE HANDLE		1				
A02	134803-1	GRIP 36 ASS'Y		1	*			
C10	152554-4	GRIP 36 COMPLETE		1	*			
C20	265701-9	SCREW M6X14		1	*			
C30	266163-4	CUP SQUARE NECK BOLT M8X80		1	*			
C40	321248-4	DEPTH GAUGE		1	*			
C50	344491-8	GRIP SPRING 68		1	*			

