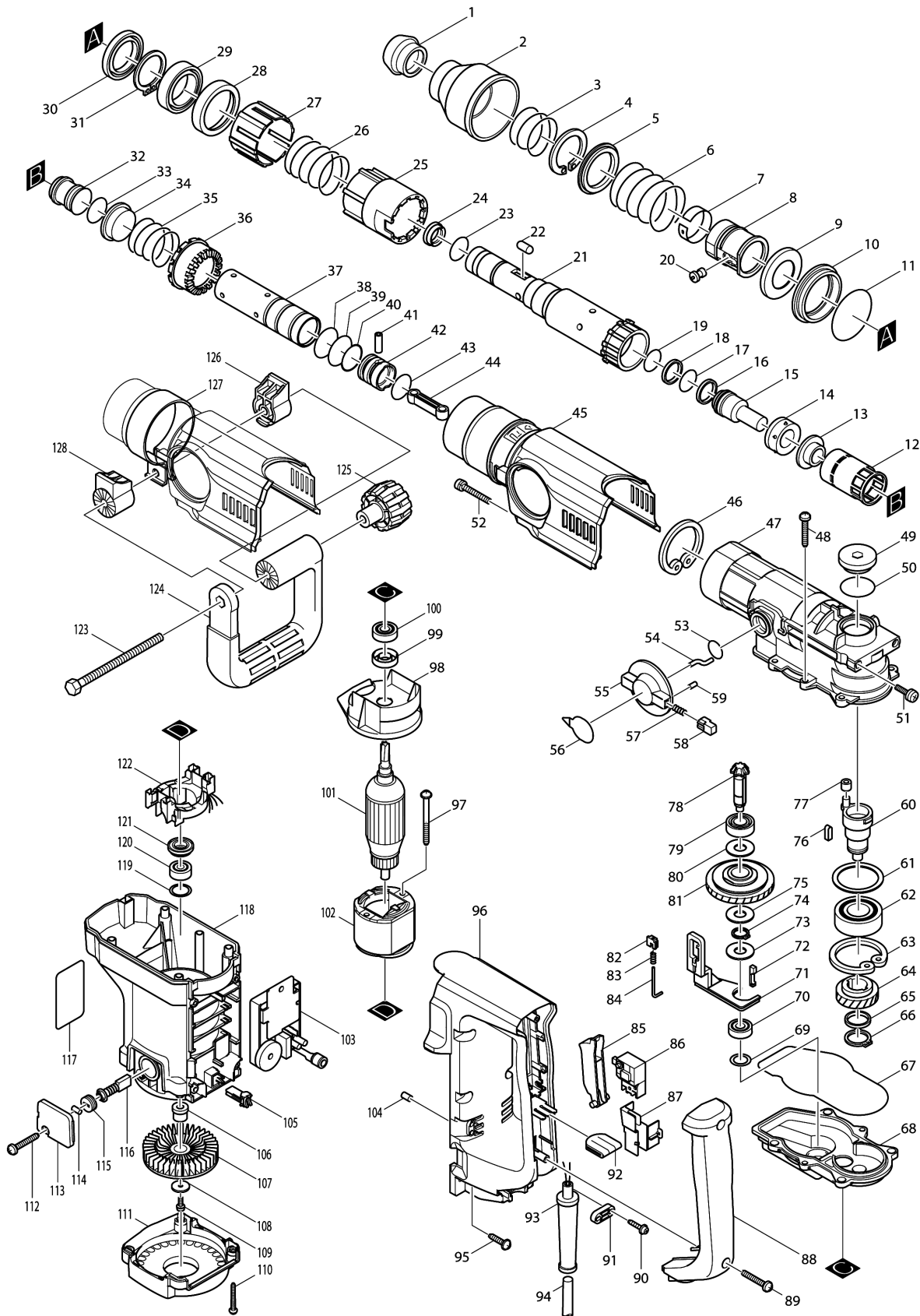


Model No.HR4000C ROTARY HAMMER 40MM



Model No.HR4000C ROTARY HAMMER 40MM

Nimike	Osanumero	Kuvaus	I/C numeromuutos	MÄÄRÄ	New/Old	Opt. 1	Opt. 2	HUOMAUTUS
001	286247-2	TOOL HOLDER CAP		1				
002	416127-0	CHUCK COVER		1				
003	233178-6	COMPRESSION SPRING 46		1				
004	961176-7	RETAINING RING S-40		1				
005	344489-5	WASHER 40		1				
006	233179-4	COMPRESSION SPRING 50		1				
007	232171-7	LEAF SPRING 37		1				
008	322948-9	CHUCK RING		1				
009	344488-7	CUP WASHER 32		1				
010	416283-6	SEAL CASE		1				
011	213601-7	O RING 50		1				
012	416282-8	SLIDE SLEEVE		1				
013	331505-2	SLEEVE 16		1				
014	421582-3	RUBBER RING 17		1				
015	322959-4	IMPACT BOLT		1				
016	213392-0	FLUORIDE RING 25		1				
017	213317-4	O RING 20		1				
018	213392-0	FLUORIDE RING 25		1				
019	213317-4	O RING 20		1				
020	310052-6	SHOULDER PIN 8		1				
021	322952-8	TOOL HOLDER		1				
022	322908-1	ROLLER 8		2				
023	231977-0	RING SPRING 25		1				
024	213271-2	DUST SEAL 18		1				
025	416125-4	LOCK SLEEVE A		1				
026	233177-8	COMPRESSION SPRING 44		1				
027	416325-6	LOCK SLEEVE B		1				
028	331510-9	BEARING HOLDER		1				
029	211469-5	BALL BEARING 6907		1				
030	213480-3	OIL SEAL 35		1				
031	961153-9	RETAINING RING S-35		1				
032	322960-9	STRIKER		1				
033	213370-0	O RING 22		1				
034	331509-4	RING 33		1				
035	233176-0	COMPRESSION SPRING 37		1				
036	226745-4	STRAIGHT BEVEL GEAR 33		1				
037	331508-6	CYLINDER 28.5		1				
038	213406-5	O RING 30		1				
039	213406-5	O RING 30		1				
040	213370-0	O RING 22		1				

Please order the parts with part number.

Print Date 20/10/2020

Model No.HR4000C ROTARY HAMMER 40MM

Nimike	Osanumero	Kuvaus	I/C numeromuutos	MÄÄRÄ	New/Old	Opt. 1	Opt. 2	HUOMAUTUS
041	331507-8	PIPE 4		1	*			
041-1	256197-5	PIN 7	O	1				
042	416122-0	PISTON		1				
043	213370-0	O RING 22		1				
044	416123-8	ROD		1				
045	159967-0	CRANK HOUSING COVER COMPLETE		1	*			
C10	817280-9	CAUTION LABEL		1	*			
045-1	151761-6	CRANK HOUSING COVER COMPLETE	S	1				
C10	817280-9	CAUTION LABEL		1				
046	962253-8	RETAINING RING R-56		1				
047	159948-4	CRANK HOUSING COMPLETE		1				
048	266012-5	TAPPING SCREW 5X35		6				
049	416124-6	CRANK CAP		1	*			
049-1	416124-6	CRANK CAP	O	1				
050	213406-5	O RING 30		1				
051	911233-1	PAN HEAD SCREW M5X20		2				
052	911128-8	P.H.SCREW M4X16 WITH WR		1				
053	213304-3	O RING 20		1				
054	322962-5	CRANK PIN 4		1				
055	416287-8	CHANGE LEVER		1				
056	816329-2	INDICATION LABEL		1				
057	233188-3	COMPRESSION SPRING 2.4		1				
058	416286-0	LOCK BUTTON		1	*			
058-1	417340-3	LOCK BUTTON	X	1				
059	256122-6	PIN 4		1				
060	322949-7	CRANK SHAFT		1	*			
060-1	323929-6	CRANK SHAFT	X	1				
061	267169-5	FLAT WASHER 42		1				
062	211373-8	BALL BEARING 6205LLU		1				
063	962251-2	RETAINING RING R-52		1				
064	226479-9	HELICAL GEAR 37		1				
065	267121-3	FLAT WASHER 20		1				
066	961060-6	RETAINING RING S-20		1				
067-1	421613-8	SEAL RING		1				
068	159949-2	GEAR HOUSING COMPLETE		1				
069	253314-8	THIN WASHER 15		1				
070	211031-6	BALL BEARING 608LLB		1				
071	416288-6	CHANGE LINK		1				
072	322951-0	CHANGE KEY		2				

Please order the parts with part number.

Print Date 20/10/2020

Model No.HR4000C ROTARY HAMMER 40MM

Nimike	Osanumero	Kuvaus	I/C numeromuutos	MÄÄRÄ	New/Old	Opt. 1	Opt. 2	HUOMAUTUS
073	253810-6	FLAT WASHER 12		1				
074	961052-5	RETAINING RING S-12		1				
075	267113-2	FLAT WASHER 12		1				
076	254229-2	KEY 5		2				
077	257631-8	SLEEVE 7		1	*			
078	226746-2	STRAIGHT BEVEL GEAR 10		1				
079	211121-5	BALL BEARING 1207		1				
080	267113-2	FLAT WASHER 12		1				
081	159947-6	TORQUE LIMITER COMPLETE		1				
082	416289-4	SLIDE PLATE		1				
083	233180-9	COMPRESSION SPRING 3		1				
084	322963-3	GUIDE PIN 2		1				
085	416284-4	SWITCH LEVER		1				
086	651922-3	SWITCH TG71B		1	*			
086-1	650677-7	SWITCH C3PA-1112	<	1	*			
086-2	651922-3	SWITCH TG71B	<	1	*			
086-3	650677-7	SWITCH C3PA-1112	<	1				
087	416126-2	LEAD GUIDE		1				
088	416291-7	HANDLE COVER		1	*			
088-1	417165-5	HANDLE COVER	S	1				
089	265995-6	TAPPING SCREW 4X18		2				
090	265995-6	TAPPING SCREW 4X18		2				
091C_	687063-9	CORD CLAMP		1	*			
091C1	687052-4	STRAIN RELIEF	X	1				
092	421583-1	SPONGE SHEET		1				
093A_	682556-1	CORD GUARD 10		1	*			
093A1	682560-0	CORD GUARD 10	S	1				
094A_	665883-1	POWER SUPPLY CORD 1.0-2-5.0		1				
095	266021-4	TAPPING SCREW 5X20		4				
096	416290-9	HANDLE		1	*			
096-1	416985-4	HANDLE	S	1	*			
096-2	417164-7	HANDLE	S	1				
097	266044-2	TAPPING SCREW 5X60		2				
098	416296-7	BAFFLE PLATE		1	*			
098-1	416987-0	BAFFLE PLATE	S	1				
099	213112-2	OIL SEAL 12		1				
100	211064-1	BALL BEARING 6000		1	*			
100-1	211088-7	BALL BEARING 6000DDW	X	1	*			
100-2	210059-1	BALL BEARING 6000DDW	X	1				
101B_	516313-4	ARMATURE ASS'Y 220V		1	*			

Please order the parts with part number.

Print Date 20/10/2020

Model No.HR4000C ROTARY HAMMER 40MM

Nimike	Osanumero	Kuvaus	I/C numeromuutos	MÄÄRÄ	New/Old	Opt. 1	Opt. 2	HUOMAUTUS
D10		INC. 120,121			*			
101B1	516328-1	ARMATURE ASS'Y 220V	S	1				
D10		INC. 120,121						
102B_	634298-3	FIELD 220V		1				
103A_	631231-6	CONTROLLER		1	*			
103A1	631231-6	CONTROLLER	O	1	*			
103A2	631590-8	CONTROLLER	S	1				
104	416285-2	ACRYLIC PIN 5		2				
105	415695-0	FIX ROD		1	*			
105-1	417715-6	FIX ROD	<	1				
106	322961-7	SLEEVE 7		1				
107	241876-8	FAN 76		1				
108	267071-2	FLAT WASHER 4		1	*			
108-1	253804-1	FLAT WASHER 6	X	1				
109	911115-7	PAN HEAD SCREW M4X10		1	*			
109-1	931302-2	HEX. NUT M6	X	1				
110	265995-6	TAPPING SCREW 4X18		4				
111	416295-9	REAR COVER		1				
112	265995-6	TAPPING SCREW 4X18		2				
113	416292-5	BRUSH HOLDER COVER		2				
114	263002-9	RUBBER PIN 4		2				
115	643750-0	BRUSH HOLDER CAP 7-11		2	*			
115-1	643515-0	HOLDER CAP 7-11	O	2				
116	191961-6	A.C. CARBON BRUSH CB-304		1	*			
116-1	193922-2	CARBON BRUSH CB-323	O	1	*			
116-2	194285-9	CARBON BRUSH CB-327	<	1				
117	858714-3	NAME PLATE HR4000C		1				
118	159950-7	MOTOR HOUSING COMPLETE		1				
C10	643754-2	BRUSH HOLDER		1				
C20	643757-6	BRUSH HOLDER 5X11		1				
C30	819064-1	MAKITA MARK		2				
C40	632687-6	LEAD UNIT		1				
119	253343-1	THIN WASHER 18		1				
120	210005-4	BALL BEARING 608DDW		1				
121	681637-8	INSULATION WASHER		1	*			
121-1	681650-6	INSULATION WASHER	X	1				
122	632699-9	SUPPORT COMPLETE		1				
123	265439-6	HEX. BOLT M8X150		1				
124	416009-6	SIDE HANDLE		1	*			
124-1	417003-1	SIDE HANDLE	S	1				

Please order the parts with part number.

Print Date 20/10/2020

Model No.HR4000C ROTARY HAMMER 40MM

Nimike	Osanumero	Kuvaus	I/C numeromuutos	MÄÄRÄ	New/Old	Opt. 1	Opt. 2	HUOMAUTUS
125	252640-2	WING NUT M8		1				
126	416298-3	SIDE HANDLE BASE 68		1	*			
127	344490-0	HANDLE SPRING 68		1	*			
127-1	151769-0	SIDE HANDLE 68 COMPLETE	X	1				
128	416298-3	SIDE HANDLE BASE 68		1	*			
130	421698-4	DUSTPROOF WASHER 55		1				
131	417002-3	SIDE HANDLE CAM	S	2				
A01	181573-3	GREASE VESSEL 93G		1	*			
A01-1	181573-3	GREASE VESSEL 93G	O	1	*			
A01-2	194683-7	GREASE VESSEL SET	O	1				
A02	152554-4	GRIP 36 COMPLETE		1				
A03	265701-9	THUMB SCREW M6X14		1				
A04	266163-4	CUP SQUARE NECK BOLT M8X80		1				
A05-2	321248-4	DEPTH GAUGE		1				
A06	344491-8	GRIP SPRING 68		1				
A07	344492-6	PLATE		1				
A08	416299-1	SIDE GRIP BASE 68		1				
A09	931302-2	HEX. NUT M6		1				
A10	824479-9	PLASTIC CARRYING CASE		1				
C10	416401-6	LATCH		2				
C20	819145-1	MAKITA LOGO LABEL		1				
B01	134804-9	SIDE HANDLE ASS'Y		1	*			
D10		INC. 123-128			*			
B01-1	134886-1	SIDE HANDLE ASS'Y	X	1	*			
D10		INC. 123-125,127			*			
B01-2	134890-0	SIDE HANDLE 68 ASS'Y	O	1				
D10		INC. 123-125,127,131						
B02	134803-1	GRIP 36 ASS'Y		1				
D10		INC. A02-A09						
B03	134900-3	BEARING HOLDER ASS'Y		1				
D10		INC. 28,29						

Please order the parts with part number.

Print Date 20/10/2020