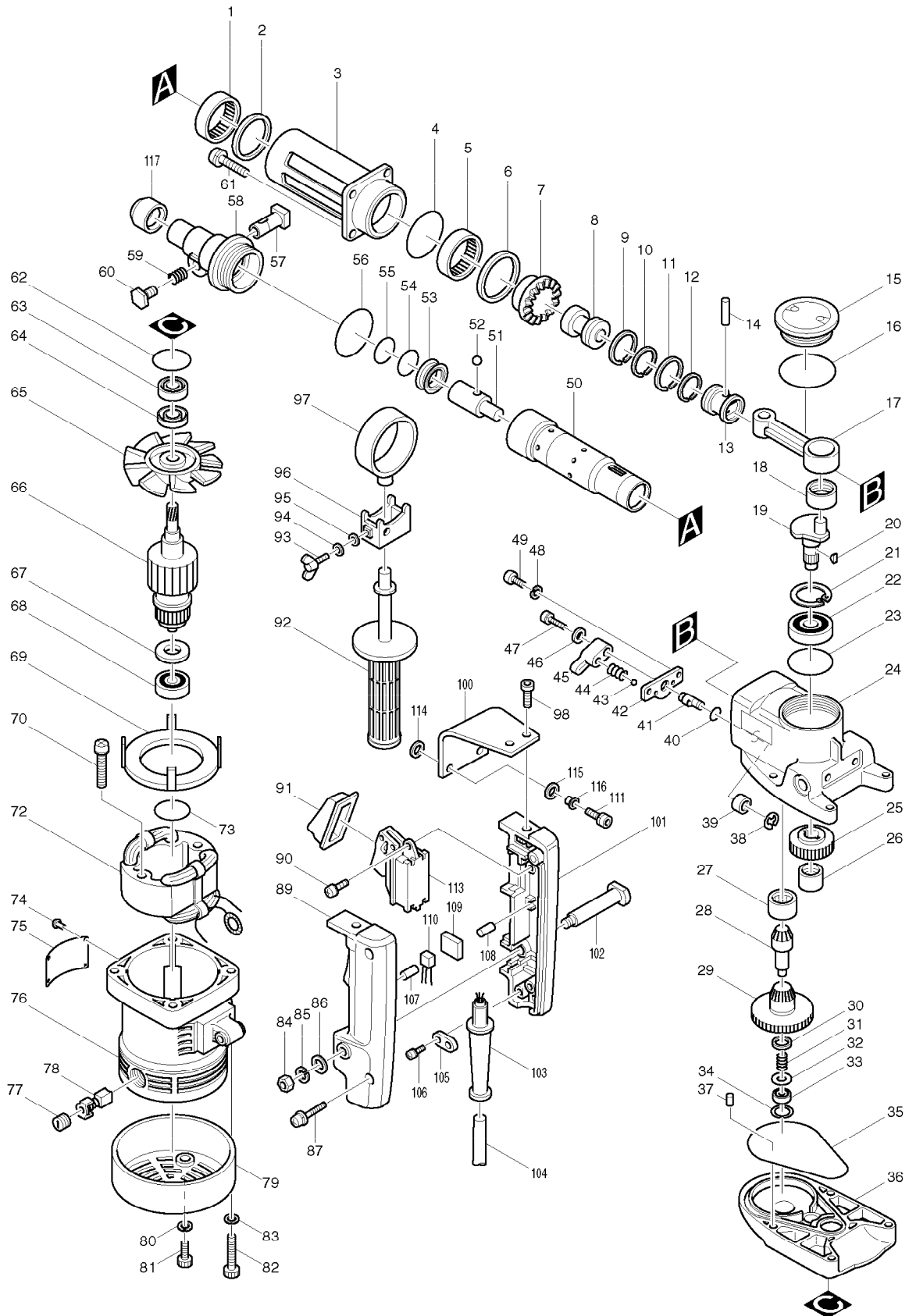


# SERVICE DRAWING

MODEL NO. HR3850B



# SPARE PARTS LIST

MODEL NO. HR3850B

| ITEM | PART NO. | DESCRIPTION                 | QTY | NOTE  |
|------|----------|-----------------------------|-----|-------|
| 001  | 212551-3 | NEEDLE BEARING 4516         | 1   |       |
| 002  | 267057-6 | FLAT WASHER 40              | 1   |       |
| 003  | 311674-5 | BARREL                      | 1   |       |
| 004  | 213655-4 | O RING 56                   | 1   |       |
| 005  | 212551-3 | NEEDLE BEARING 4516         | 1   |       |
| 006  | 253832-6 | FLAT WASHER 45              | 1   |       |
| 007  | 221347-1 | SPIRAL BEVEL GEAR 36        | 1   |       |
| 008  | *****    | *****                       | *** | ***** |
| 009  | 412038-7 | PISTON RING 34              | 1   |       |
| 010  | 412041-8 | INNER RING 30               | 1   |       |
| 011  | 412038-7 | PISTON RING 34              | 1   |       |
| 012  | 341743-8 | INNER RING 30               | 1   |       |
| 013  | 321370-7 | PISTON                      | 1   |       |
| 014  | 256029-6 | PIN 8                       | 1   |       |
| 015  | *****    | *****                       | *** | ***** |
| 016  | 213654-6 | O RING 60                   | 1   |       |
| 017  | 312956-8 | ROD                         | 1   |       |
| 018  | 212108-0 | NEEDLE BEARING 1212         | 1   |       |
| 019  | 321726-4 | CRANK SHAFT                 | 1   |       |
| 020  | 254001-2 | WOODRUFF KEY 4              | 2   |       |
| 021  | 962203-3 | RETAINING RING R-47         | 1   |       |
| 022  | *****    | *****                       | *** | ***** |
| 023  | 213606-7 | O RING 48                   | 1   |       |
| 024  | 157307-6 | CRANK HOUSING COMPLETE      | 1   |       |
| 025  | 221689-3 | HELICAL GEAR 33             | 1   |       |
| 026  | 212102-2 | NEEDLE BEARING 1210         | 1   |       |
| 027  | 212359-5 | NEEDLE BEARING 2216         | 1   |       |
| 028  | 153150-1 | GEAR COMPLETE               | 1   |       |
| 029  | 134527-9 | TORQUE LIMITER ASS'Y        | 1   |       |
| 030  | 253310-6 | THIN WASHER 10              | 1   |       |
| 031  | 231430-6 | COMPRESSION SPRING 11       | 1   |       |
| 032  | 253865-1 | FLAT WASHER 8               | 1   |       |
| 033  | 211034-0 | BALL BEARING 608            | 1   |       |
| 034  | 253314-8 | THIN WASHER 15              | 1   |       |
| 035  | *****    | *****                       | *** | ***** |
| 036  | *****    | *****                       | *** | ***** |
| 037  | 263005-3 | RUBBER PIN 6                | 1   |       |
| 038  | 961011-9 | STOP RING E-4               | 1   |       |
| 039  | 212011-5 | NEEDLE BEARING 609          | 1   |       |
| 040  | 213055-8 | O RING 10                   | 1   |       |
| 041  | 321727-2 | CHANGE SHAFT                | 1   |       |
| 042  | 342786-3 | PLATE                       | 1   |       |
| 043  | 216002-8 | STEEL BALL 4.8              | 1   |       |
| 044  | 231317-2 | COMPRESSION SPRING 3        | 1   |       |
| 045  | 410331-3 | CHANGE LEVER                | 1   |       |
| 046  | 941052-1 | FLAT WASHER 4               | 1   |       |
| 047  | 922126-7 | HEX. SOCKET HEAD BOLT M4X16 | 1   |       |
| 048  | 942101-7 | SPRING WASHER 5             | 2   |       |
| 049  | 922212-4 | HEX. SOCKET HEAD BOLT M5X12 | 2   |       |
| 050  | 152335-6 | CYLINDER LINER COMPLETE     | 1   |       |
| 051  | *****    | *****                       | *** | ***** |
| 052  | 216004-4 | STEEL BALL 7.9              | 3   |       |
| 053  | *****    | *****                       | *** | ***** |
| 054  | 213411-2 | O RING 27                   | 1   |       |

# SPARE PARTS LIST

MODEL NO. HR3850B

| ITEM | PART NO. | DESCRIPTION                 | QTY | NOTE  |
|------|----------|-----------------------------|-----|-------|
| 055  | 213411-2 | O RING 27                   | 1   |       |
| 056  | 213604-1 | O RING 50                   | 1   |       |
| 057  | 331301-8 | TOOL RETAINER               | 1   |       |
| 058  | *****    | *****                       | *** | ***** |
| 059  | 231375-8 | COMPRESSION SPRING 15       | 1   |       |
| 060  | 265321-9 | HEX. BOLT M8X12             | 1   |       |
| 061  | 922341-3 | HEX. SOCKET HEAD BOLT M6X25 | 4   |       |
| 062  | 213459-4 | O RING 32                   | 1   |       |
| 063  | 211109-5 | BALL BEARING 6201           | 1   |       |
| 064  | 213160-1 | OIL SEAL 14                 | 1   |       |
| 065  | 241634-2 | FAN 94                      | 1   |       |
| 066  | 514773-4 | ARMATURE ASS'Y 220V         | 1   |       |
| 067  | *****    | *****                       | *** | ***** |
| 068  | *****    | *****                       | *** | ***** |
| 069  | 410163-8 | BAFFLE PLATE                | 1   |       |
| 070  | 265347-1 | + HEX. BOLT M5X45           | 2   |       |
| 072  | 528910-4 | FIELD ASS'Y 220V            | 1   |       |
| 073  | 213406-5 | O RING 30                   | 1   |       |
| 074  | 953106-2 | RIVET 0-5                   | 4   |       |
| 075  | 856221-0 | NAME PLATE HR3850B          | 1   |       |
| 076  | *****    | *****                       | *** | ***** |
| 077  | 643650-4 | BRUSH HOLDER CAP 6.5-13.5   | 2   |       |
| 078  | 181048-2 | A.C. CARBON BRUSH CB-155    | 1   |       |
| 079  | 284055-5 | REAR COVER                  | 1   |       |
| 080  | 942101-7 | SPRING WASHER 5             | 2   |       |
| 081  | *****    | *****                       | *** | ***** |
| 082  | 922376-4 | HEX. SOCKET HEAD BOLT M6X55 | 4   |       |
| 083  | 941151-9 | FLAT WASHER 6               | 4   |       |
| 084  | 931302-2 | HEX. NUT M6                 | 1   |       |
| 085  | 942151-2 | SPRING WASHER 6             | 1   |       |
| 086  | 941151-9 | FLAT WASHER 6               | 1   |       |
| 087  | 911243-8 | PAN HEAD SCREW M5X25        | 2   |       |
| 089  | 182077-8 | HANDLE SET                  | 1   |       |
| 090  | 911129-6 | PAN HEAD SCREW M4X16        | 2   |       |
| 091  | 421265-5 | DUST COVER                  | 1   |       |
| 092  | 273472-4 | GRIP 32                     | 1   |       |
| 093  | 924321-5 | WING BOLT M6X18             | 1   |       |
| 094  | 261049-7 | RUBBER WASHER 5.5           | 1   |       |
| 095  | 261049-7 | RUBBER WASHER 5.5           | 1   |       |
| 096  | 164543-7 | GRIP BASE                   | 1   |       |
| 097  | 164572-0 | GRIP HOLDER                 | 1   |       |
| 098  | 922316-2 | HEX. SOCKET HEAD BOLT M6X14 | 2   |       |
| 100  | 343754-9 | CUSHION PLATE               | 2   |       |
| 101  | 182077-8 | HANDLE SET                  | 1   |       |
| 102  | 321210-9 | HANDLE SHAFT                | 1   |       |
| 103  | 682540-6 | CORD GUARD 9.3-90           | 1   |       |
| 104  | 665883-1 | POWER SUPPLY CORD 1.0-2-5.0 | 1   |       |
| 105  | 687031-2 | STRAIN RELIEF               | 1   |       |
| 106  | 911133-5 | PAN HEAD SCREW M4X18        | 2   |       |
| 107  | 263002-9 | RUBBER PIN 4                | 1   |       |
| 108  | 263002-9 | RUBBER PIN 4                | 1   |       |
| 109  | 685700-9 | SPONGE SHEET                | 1   |       |
| 110  | 645253-0 | NOISE SUPPRESSOR            | 1   |       |

# SPARE PARTS LIST

---

MODEL NO. HR3850B

| ITEM | PART NO. | DESCRIPTION                 | QTY | NOTE |
|------|----------|-----------------------------|-----|------|
| 111  | 265914-2 | HEX. SOCKET HEAD BOLT M6X25 | 2   |      |
| 113  | 651145-3 | SWITCH C3D-H-MS             | 1   |      |
| 114  | 262051-3 | RUBBER RING 9               | 2   |      |
| 115  | 262052-1 | RUBBER RING 9               | 2   |      |
| 116  | 257636-8 | SLEEVE 6                    | 2   |      |
| 117  | 421596-2 | CAP                         | 1   |      |
| 118  | 819063-3 | MAKITA LABEL                | 2   |      |
| 400  | 150589-9 | PLASTIC CARRYING CASE COMP. | 1   |      |
| 401  | 321248-4 | DEPTH GAUGE                 | 1   |      |
| 403  | 783202-0 | HEX. WRENCH 4               | 1   |      |

---