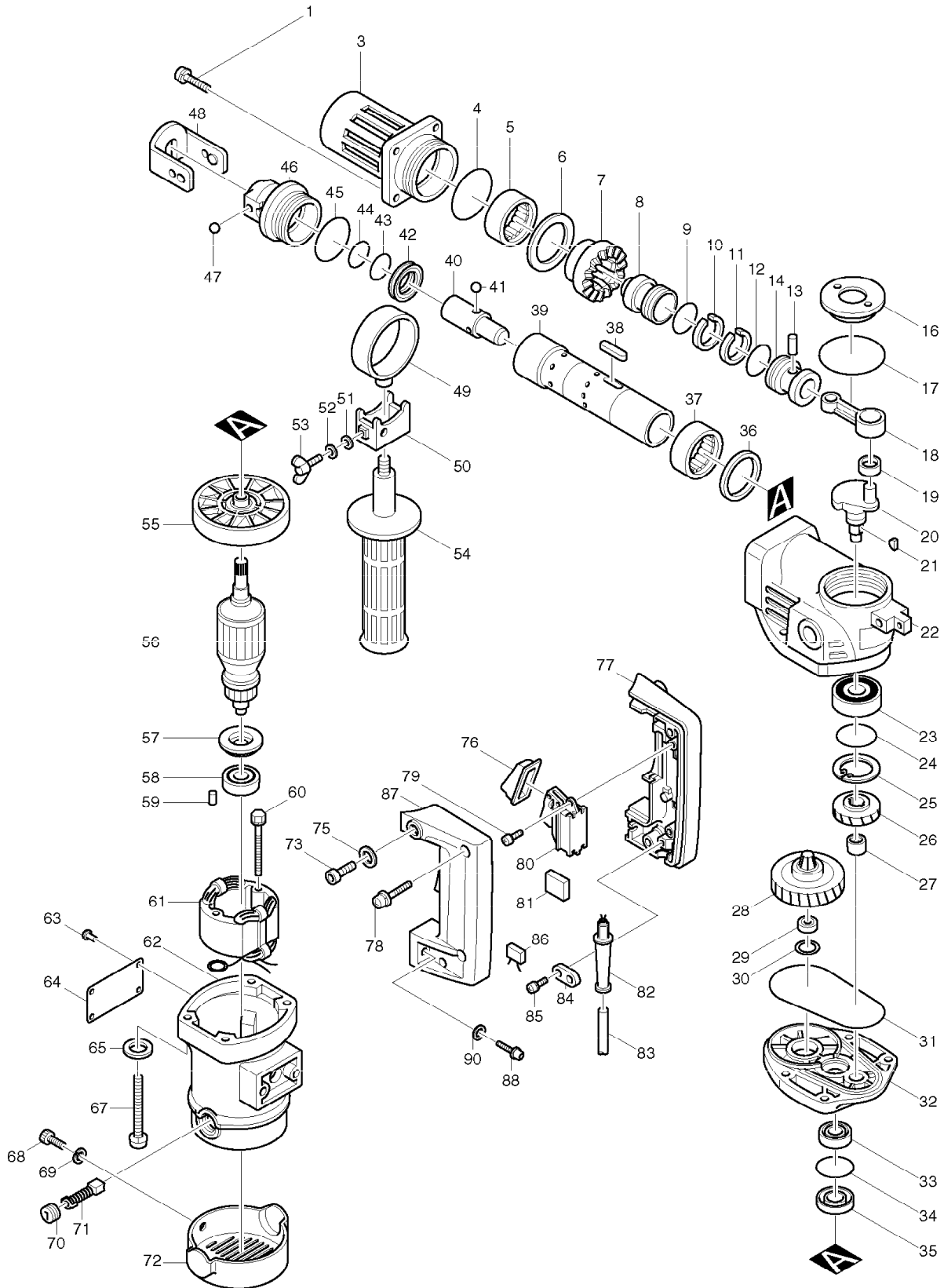


# SERVICE DRAWING

MODEL NO. HR3520



# SPARE PARTS LIST

MODEL NO. HR3520

ITEM	PART NO.	DESCRIPTION	QTY	NOTE
001	922341-3	HEX. SOCKET HEAD BOLT M6X25	4	
003	311612-7	BARREL	1	
004	213655-4	O RING 56	1	
005	212502-6	NEEDLE BEARING 4016	1	
006	253817-2	FLAT WASHER 40	1	
007	221367-5	SPIRAL BEVEL GEAR 36	1	
008	*****	*****	***	*****
009	213381-5	O RING 21	1	
010	412037-9	PISTON RING 29	1	
011	412037-9	PISTON RING 29	1	
012	213381-5	O RING 21	1	
013	256006-8	PIN 8	1	
014	322196-0	PISTON	1	
016	*****	*****	***	*****
017	213554-0	O RING 44	1	
018	315248-4	ROD	1	
019	212065-2	NEEDLE BEARING 1012	1	
020	321725-6	CRANK SHAFT	1	
021	254002-0	WOODRUFF KEY 3	2	
022	159507-4	CRANK HOUSING	1	
023	*****	*****	***	*****
024	213507-9	O RING 40	1	
025	962157-4	RETAINING RING R-40	1	
026	221676-2	HELICAL GEAR 36	1	
027	212005-0	NEEDLE BEARING 810	1	
028	151176-7	TORQUE LIMITER COMPLETE	1	
029	211034-0	BALL BEARING 608	1	
030	253314-8	THIN WASHER 15	1	
031	*****	*****	***	*****
032	*****	*****	***	*****
033	211109-5	BALL BEARING 6201	1	
034	213459-4	O RING 32	1	
035	213160-1	OIL SEAL 14	1	
036	267060-7	FLAT WASHER 35	1	
037	212502-6	NEEDLE BEARING 4016	1	
038	254231-5	KEY 4	2	
039	152338-0	CYLINDER LINER COMPLETE	1	
040	322237-2	IMPACT BOLT	1	
041	216004-4	STEEL BALL 7.9	3	
042	213383-1	X RING 25	1	
043	213374-2	O RING 23.5	1	
044	213374-2	O RING 23.5	1	
045	213554-0	O RING 44	1	
046	322327-1	TOOL HOLDER	1	
047	216004-4	STEEL BALL 7.9	1	
048	*****	*****	***	*****
049	164569-9	GRIP HOLDER	1	
050	164543-7	GRIP BASE	1	
051	261049-7	RUBBER WASHER 5.5	1	
052	261049-7	RUBBER WASHER 5.5	1	
053	924321-5	WING BOLT M6X18	1	
054	273472-4	GRIP 32	1	
055	241827-1	FAN 82	1	
056	512818-2	ARMATURE ASS'Y 220V	1	220V

# SPARE PARTS LIST

MODEL NO. HR3520

ITEM	PART NO.	DESCRIPTION	QTY	NOTE
057	681625-5	INSULATION WASHER	1	
058	211033-2	BALL BEARING 608LB	1	
059	263014-2	RUBBER PIN 4	1	
060	265345-5	+ HEX. BOLT M5X60	2	
061	528706-3	FIELD ASS'Y 220V	1	220V
062	*****	*****	***	*****
063	953106-2	RIVET 0-5	4	
064	855125-3	NAME PLATE HR3520	1	
065	941152-7	FLAT WASHER 6	4	
067	922371-4	HEX. SOCKET HEAD BOLT M6X50	4	
068	*****	*****	***	*****
069	942101-7	SPRING WASHER 5	1	
070	643600-9	BRUSH HOLDER CAP 6-10	2	
071	181038-5	A.C. CARBON BRUSH CB-105	1	
072	284056-3	REAR COVER	1	
073	922336-6	HEX. SOCKET HEAD BOLT M6X22	2	
075	941152-7	FLAT WASHER 6	2	
076	421265-5	DUST COVER	1	
077	181653-5	HANDLE SET	1	
078	911243-8	PAN HEAD SCREW M5X25	3	
079	911129-6	PAN HEAD SCREW M4X16	1	
080	651145-3	SWITCH C3D-H-MS	1	
081	685700-9	SPONGE SHEET	1	
082	682540-6	CORD GUARD 9.3-90	1	
083	665883-1	POWER SUPPLY CORD 1.0-2-5.0	1	
084	687031-2	STRAIN RELIEF	1	
085	911133-5	PAN HEAD SCREW M4X18	2	
086	645253-0	NOISE SUPPRESSOR	1	
087	181653-5	HANDLE SET	1	
088	922341-3	HEX. SOCKET HEAD BOLT M6X25	2	
090	941152-7	FLAT WASHER 6	2	
400	783202-0	HEX. WRENCH 4	1	
402	321248-4	DEPTH GAUGE	1	
403	150597-0	PLASTIC CARRYING CASE COMPLETE	1	
408	835274-2	INNER CASE	1	
906	646324-6	LINE COIL	1	220/240V