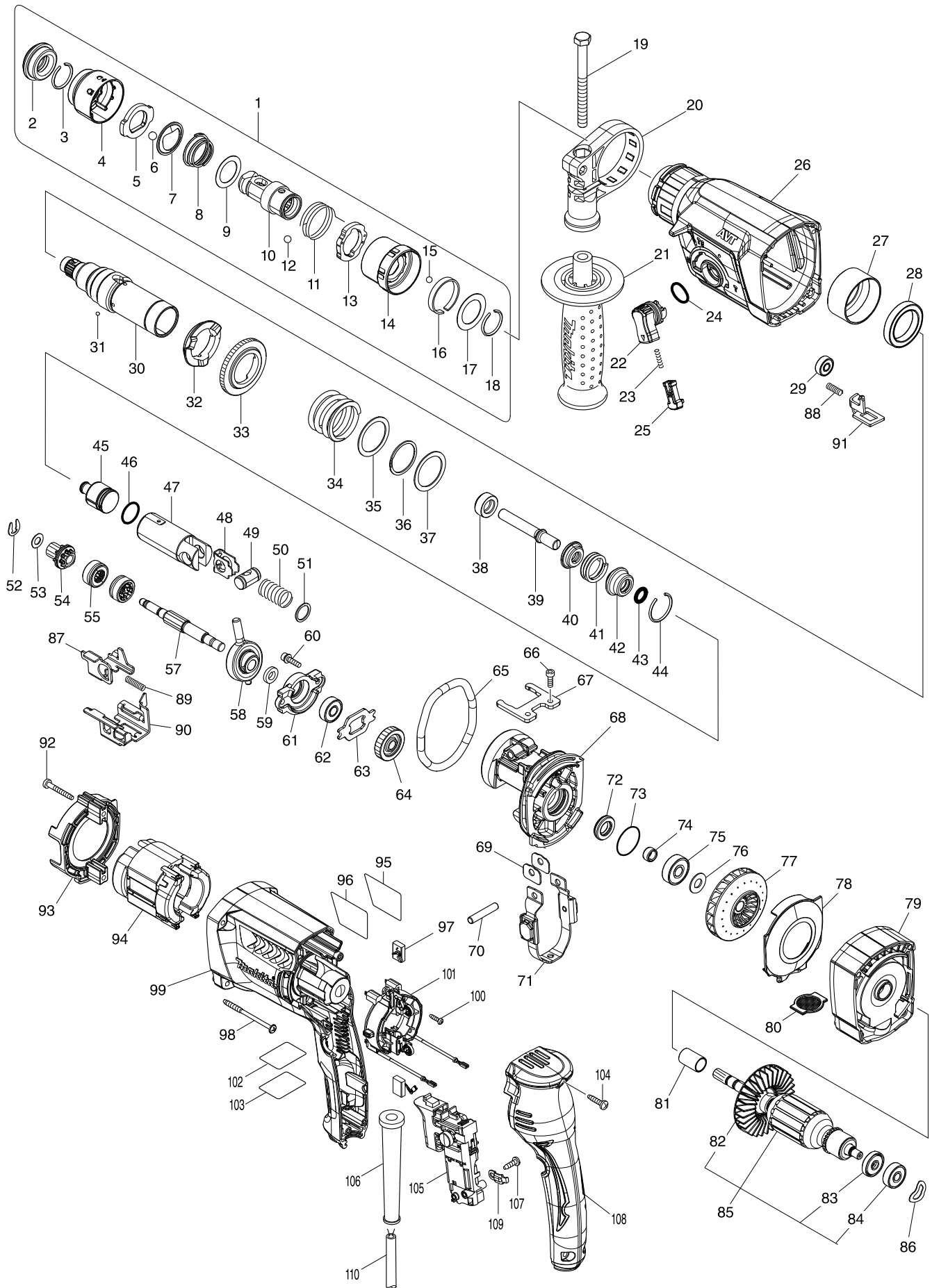
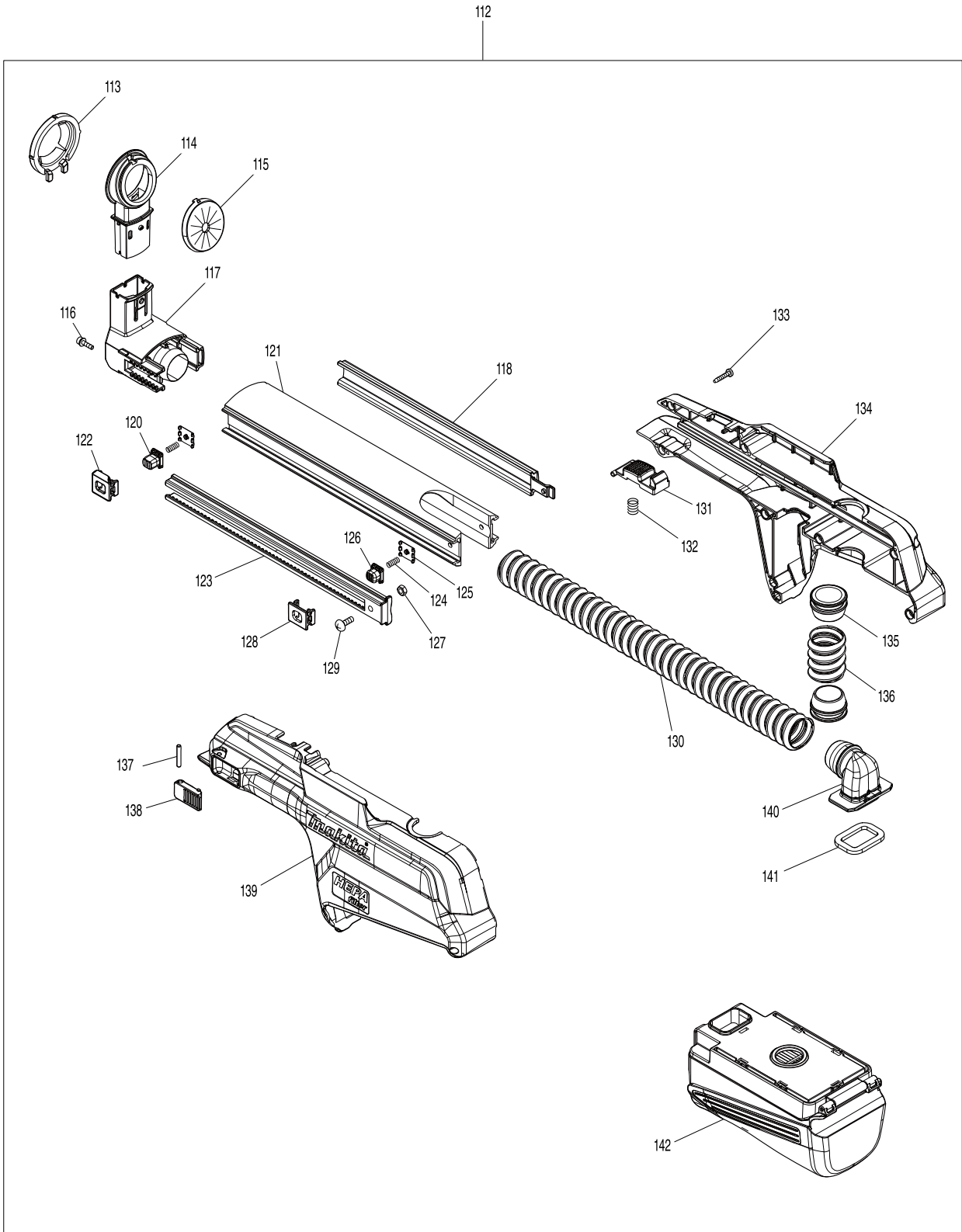


Model No. HR2651T 26MM COMB.HAMMER W/DUST EXT.



Model No. HR2651T 26MM COMB.HAMMER W/DUST EXT.



**Model No. HR2651T 26MM COMB.HAMMER W/DUST EXT.**

Item	Parts No.	Description	I/C	Qty	N/O	Opt. 1	Opt. 2	Note
001	194080-7	TOOL HOLDER SET		1				
D10		INC. 2-18						
002	286263-4	CAP 35		1				
003	233940-9	RING SPRING 19		1				
004	418217-5	CHUCK COVER		1				
005	345333-9	STOPPER		1				
006	216022-2	STEEL BALL 7.0		1				
007	345187-4	GUIDE WASHER		1				
008	233916-6	CONICAL COMP. SPRING 21-29		1				
009	267279-8	FLAT WASHER 21		1				
010	324355-2	TOOL HOLDER		1				
011	231669-1	TORSION SPRING 31		1				
012	216013-3	STEEL BALL 6		2				
013	345334-7	CHANGE RING		1				
014	418218-3	CHANGE COVER		1				
015	216018-3	STEEL BALL 5.0		1				
016	345335-5	LEAF SPRING		1				
017	267270-6	FLAT WASHER 24		1				
018	233924-7	RING SPRING 21		1				
019	266745-2	HEX.BOLT M8X90		1				
020	453129-5	GRIP BASE		1				
021	158057-6	GRIP 36 COMPLETE		1				
C10	931402-8	HEX. NUT M8		1				
022	457709-9	LOCK BUTTON		1				
023	234264-6	COMPRESSION SPRING 3		1				
024	213278-8	O RING 17		1				
025	161656-5	CHANGE LEVER COMPLETE		1				
026	144615-4	GEAR HOUSING COMPLETE		1				
C10	213636-8	OIL SEAL 25		1				
027	331890-3	CUP SLEEVE		1				
028	211294-4	BALL BEARING 6806LLU		1				
029	210028-2	BALL BEARING 606ZZ		1				
030	140266-1	TOOL HOLDERGUIDE COMPLETE		1				
C10	213344-1	OIL SEAL 9		1				
031	216019-1	STEEL BALL 3		4				
032	332139-4	DRIVING FLANGE		1				
033	227360-7	SPUR GEAR 51		1				
034	234148-8	COMPRESSION SPRING 31		1				
035	267153-0	FLAT WASHER 30		1				
036	257932-4	SPIRO LOCK WASHER 30		1				
037	267153-0	FLAT WASHER 30		1				
038	325783-4	SLEEVE 9B		1				
039	325791-5	IMPACT BOLT B		1				
040	325792-3	WASHER 10		1				
041	234149-6	COMPRESSION SPRING 20		1				
042	325793-1	O-RING CASE B		1				
043	213073-6	O RING 9		1				
044	233979-2	RING SPRING 28		1				

Item	Parts No.	Description	I/C	Qty	N/O	Opt. 1	Opt. 2	Note
045	325784-2	STRIKER		1				
046	213258-4	O RING 17.5		1				
047	310345-1	PISTON CYLINDER		1				
048	346036-8	GUIDE PLATE		1				
049	324215-8	PISTON JOINT		1				
050	234098-7	COMPRESSION SPRING 14		1				
051	267447-3	FLAT WASHER 14		1				
052	257336-0	STOP RING EXT U-6		1				
053	253186-1	FLAT WASHER 7		1				
054	227359-2	SPUR GEAR 10		1				
055	332125-5	CLUTCH CAM		2				
057	326448-1	CAM SHAFT		1				
058	219023-9	SWASH BEARING 10		1				
059	257321-3	RING 8		1				
060	266437-3	HEX. SOCKET HEAD BOLT M4X16		2				
061	310344-3	BEARING BOX		1				
062	211032-4	BALL BEARING 608ZZ		1				
063	285735-6	BEARING RETAINER		1				
064	227719-8	HELICAL GEAR 26		1				
065	213728-3	O-RING 68		1				
066	265353-6	HEX. SOCKET HEAD BOLT M4X12		2				
067	346222-1	PLATE		1				
068	141573-5	INNER HOUSING COMPLETE		1				
069	346180-1	WEIGHT HOLDER GUIDE		2				
070	256246-8	PIN 6		1				
071	161655-7	COUNTER WEIGHT		1				
072	213678-2	OIL SEAL 12		1				
073	213407-3	O RING 26		1				
074	262569-4	SLEEVE 9		1				
075	210042-8	BALL BEARING 629LLB		1				
076	253733-8	FLAT WASHER 9		1				
077	240182-8	FAN 65		1				
078	457711-2	BAFFLE PLATE		1				
079	457710-4	FAN HOUSING		1				
080	457713-8	FILTER PLATE		1				
081	262184-4	SLEEVE 10		1				
082	240121-8	FAN 65		1				
083	681652-2	INSULATION WASHER		1				
084	210023-2	BALL BEARING 627DDW		1				
085	515424-2	ARMATURE ASSY 240V		1				
D10		INC. 82-84						
086	267804-5	WAVE WASHER 15		1				
087	347230-5	CHANGE PLATE B		1				
088	233360-7	COMPRESSION SPRING 4		1				
089	234343-0	COMPRESSION SPRING 5		1				
090	347229-0	CHANGE PLATE A		1				
091	347228-2	LOCK PLATE		1				
092	266361-0	TAPPING SCREW 4X30		2				

Item	Parts No.	Description	I/C	Qty	N/O	Opt. 1	Opt. 2	Note
093	451527-7	BAFFLE PLATE		1				
094	621874-2	FIELD		1				
095	819390-8	CLEAR LABEL		1				
096	853M12-8	HR2651T NAME PLATE		1				
097	194074-2	CARBON BRUSH CB-325		1				
098	266334-3	TAPPING SCREW 4X60		4				
099	451536-6	MOTOR HOUSING		1				
100	266556-5	TAPPING SCREW 3X12		2				
101	632K38-9	BRUSH HOLDER UNIT		1				
102	853M16-0	HR2651T SERIAL NO. LABEL		1				
103	819389-3	CLEAR LABEL		1				
104	266326-2	TAPPING SCREW 4X18		3				
105	651090-2	SWITCH TG853TB-3		1				
106	682566-8	CORD GUARD 10		1				
107	266385-6	TAPPING SCREW 4X14		1				
108	451528-5	HANDLE COVER		1				
109	687682-1	STRAIN RELIEF		1				
110	665890-4	POWER SUPPLY CORD 1.0-2-4.0		1				
112	135906-4	DUST CASE ASSY		1				
D10		INC. 113-118,120-142						
113	424722-2	FITTING RUBBER		1				
114	455736-0	COLLECTOR		1				
115	424474-5	SEALING CAP		1				
116	251568-1	H.S.H.BOLT M3X12 WITH WR		2				
117	457729-3	COLLECTOR BASE B		1				
118	457723-5	PIPE COVER		1				
120	457718-8	PUSH BUTTON B		1				
121	326988-9	SLIDE PIPE		1				
122	457728-5	STOPPER BASE B		1				
123	457722-7	RACK GUIDE		1				
124	232386-6	COMPRESSION SPRING 4		2				
125	457721-9	SPRING PLATE		2				
126	457717-0	PUSH BUTTON A		1				
127	931102-0	HEX. NUT M4		1				
128	457719-6	STOPPER BASE A		1				
129	251314-2	+ SCREW M4X12		1				
130	245043-7	HOSE 30 D		1				
131	457716-2	LOCK LEVER		1				
132	231316-4	COMPRESSION SPRING 7		1				
133	266130-9	TAPPING SCREW BIND PT 3X16		8				
134	183G77-3	HOUSING SET		1				
D10		INC. 139						
135	457712-0	JOINT SLEEVE		2				
136	245042-9	HOSE 30 C		1				
137	256158-5	PIN 3		1				
138	457720-1	PUSH LEVER		1				
139	183G77-3	HOUSING SET		1				
D10		INC. 134						

