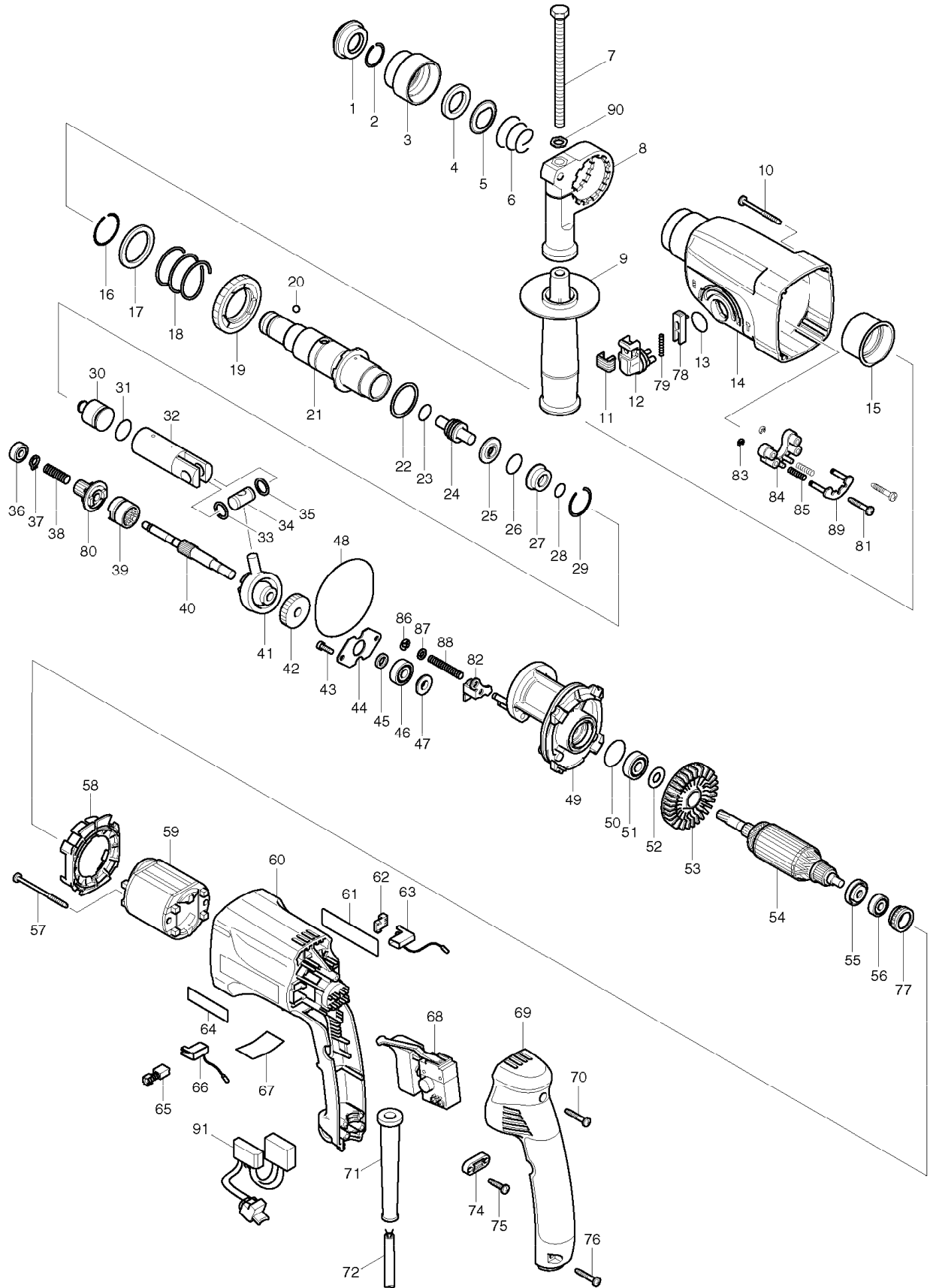


SERVICE DRAWING

MODEL NO. HR2450F



SPARE PARTS LIST

MODEL NO. HR2450F

ITEM	PART NO.	DESCRIPTION	QTY	NOTE
001	286263-4	CAP 35	1	
002	*****	*****	***	*****
003	417629-9	CHUCK COVER	1	
004	257241-1	RING 21	1	
005	345187-4	GUIDE WASHER	1	
006	233916-6	CONICAL COMP. SPRING 21-29	1	
007	921923-8	HEX. BOLT M8X120	1	
008	417630-4	GRIP BASE	1	
009	134943-5	GRIP 36 ASS'Y	1	
010	266069-6	TAPPING SCREW 4X45	4	
011	417794-4	CAP	1	
012	162229-7	CHANGE LEVER COMPLETE	1	
013	213278-8	O RING 17	1	
014	183441-6	GEAR HOUSING SET	1	
015	153290-5	NEEDLE BEARING COMPLETE	1	
016	233918-2	RING SPRING 28	1	
017	267228-5	WASHER 30	1	
018	233328-3	COMPRESSION SPRING 31	1	
019	227028-5	SPUR GEAR 51	1	
020	216022-2	STEEL BALL 7.0	1	
021	153365-0	TOOL HOLDER COMPLETE	1	
022	267229-3	FLAT WASHER 28	1	
023	213128-7	O RING 12	1	
024	*****	*****	***	*****
025	324218-2	RING 9	1	
026	213232-2	O RING 15	1	
027	324216-6	O RING CASE	1	
028	213073-6	O RING 9	1	
029	233917-4	RING SPRING 28	1	
030	324214-0	STRIKER	1	
031	213227-5	O RING 16	1	
032	*****	*****	***	*****
033	267104-3	FLAT WASHER 12	1	
034	324215-8	PISTON JOINT	1	
035	267104-3	FLAT WASHER 12	1	
036	211012-0	BALL BEARING 606ZZ	1	
037	961003-8	RETAINING RING S-7	1	
038	233343-7	COMPRESSION SPRING 7	1	
039	331634-1	CLUTCH CAM	1	
040	324248-3	CAM SHAFT	1	
041	219014-0	SWASH BEARING 10	1	
042	226550-9	HELICAL GEAR 26	1	
043	266273-7	HEX. SOCKET HEAD BOLT M4X12	2	
044	345179-3	BEARING RETAINER	1	
045	267234-0	FLAT WASHER 8	1	
046	211032-4	BALL BEARING 608ZZ	1	
047	324212-4	RING 8	1	
048	213725-9	O RING 68	1	
049	*****	*****	***	*****
050	213380-7	O RING 24	1	
051	210060-6	BALL BEARING 609LLU	1	
052	267231-6	FLAT WASHER 9	1	
053	*****	*****	***	*****
054	*****	*****	***	*****

SPARE PARTS LIST

MODEL NO. HR2450F

ITEM	PART NO.	DESCRIPTION	QTY	NOTE
055	681636-0	INSULATION WASHER	1	
056	211021-9	BALL BEARING 607LLB	1	
057	266052-3	TAPPING SCREW 4X60	2	
058	*****	*****	***	*****
059	633488-5	FIELD 220-240V	1	
060	*****	*****	***	*****
061	850094-3	NAME PLATE HR2450F	1	
062	689111-0	SPACER	2	
063	643988-7	BRUSH HOLDER	1	
064	819063-3	MAKITA LABEL	1	
065	191962-4	CARBON BRUSH CB-419	1	
066	643989-5	BRUSH HOLDER	1	
067	*****	*****	***	*****
068	650508-0	SWITCH TG813TLB-1	1	
069	153284-0	HANDLE COVER COMPLETE	1	
070	265999-8	TAPPING SCREW 4X25	1	
071	682566-8	CORD GUARD 10	1	
072	665890-4	POWER SUPPLY CORD 1.0-2-4.0	1	
074	687052-4	STRAIN RELIEF	1	
075	265995-6	TAPPING SCREW 4X18	2	
076	265999-8	TAPPING SCREW 4X25	2	
077	421494-0	RUBBER RING 19	1	
078	417795-2	LOCK BUTTON	1	
079	233341-1	COMPRESSION SPRING 3	1	
080	226399-7	SPUR GEAR 10	1	
081	265999-8	TAPPING SCREW 4X25	2	
082	*****	*****	***	*****
083	961017-7	STOP RING E-3	2	
084	417796-0	GUIDE BASE	1	
085	233344-5	COMPRESSION SPRING 4	2	
086	961011-9	STOP RING E-4	1	
087	941102-2	FLAT WASHER 5	1	
088	233342-9	COMPRESSION SPRING 6	1	
089	163430-7	LOCK PLATE COMPLETE	1	
090	345280-4	HEX. WASHER	1	
091	631471-6	LIGHT CIRCUIT	1	
092	267271-4	FLAT WASHER 9	1	
A01	324219-0	DEPTH GAUGE	1	
A02	824650-5	PLASTIC CARRYING CASE	1	