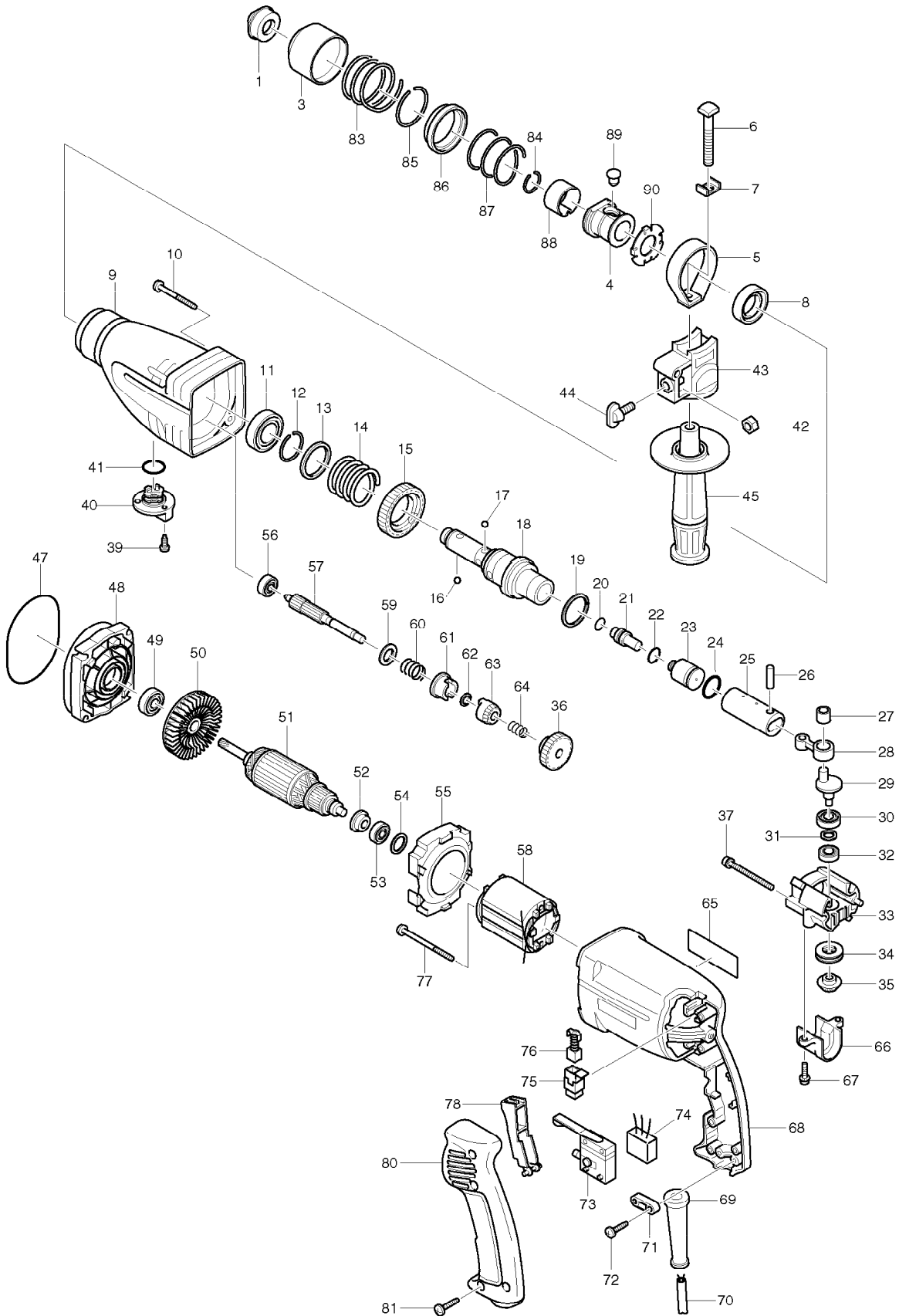


SERVICE DRAWING

MODEL NO. HR2410



SPARE PARTS LIST

MODEL NO. HR2410

ITEM	PART NO.	DESCRIPTION	QTY	NOTE
001	*****	*****	***	*****
003	*****	*****	***	*****
004	*****	*****	***	*****
005	344205-5	BELT	1	
006	266092-1	SQUARE BOLT M8X60	1	
007	267719-6	SQUARE WASHER 9	1	
008	213313-2	OIL SEAL 20	1	
009	*****	*****	***	*****
010	266069-6	TAPPING SCREW 4X45	4	
011	211323-3	BALL BEARING 6904LLU	1	
012	231962-3	RING SPRING 26	1	
013	267132-8	FLAT WASHER 29	1	
014	233109-5	COMPRESSION SPRING 29	1	
015	226290-9	SPUR GEAR 48	1	
016	*****	*****	***	*****
017	216011-7	STEEL BALL 5.6	4	
018	*****	*****	***	*****
019	267129-7	FLAT WASHER 27	1	
020	213063-9	O RING 10	1	
021	*****	*****	***	*****
022	213117-2	O RING 11	1	
023	322740-3	STRIKER	1	
024	213214-4	O RING 16	1	
025	331446-2	PISTON CYLINDER	1	
026	256099-5	PIN 6	1	
027	212005-0	NEEDLE BEARING 810	1	
028	331447-0	CONNECTING ROD	1	
029	322741-1	CRANK SHAFT	1	
030	211098-4	BALL BEARING 699ZZ	1	
031	267130-2	FLAT WASHER 9	1	
032	211099-2	BALL BEARING 689ZZ	1	
033	159761-0	CRANK HOUSING COMPLETE	1	
034	212110-3	THRUST NEEDLE BEARING 1224	1	
035	226726-8	STRAIGHT BEVEL GEAR 12	1	
036	226434-1	HELICAL GEAR 31	1	
037	911576-1	PAN HEAD SCREW M4X50	3	
039	251392-2	+ PAN HEAD SCREW M4	1	
040	152471-8	CHANGE LEVER COMPLETE	1	
041	213261-5	O RING 17	1	
042	931202-6	HEX. NUT M5	1	
043	415658-6	GRIP BASE	1	
044	265720-5	THUMB SCREW M5X14	1	
045	134777-6	GRIP 36 ASS'Y	1	
047	213720-9	O RING 67	1	
048	159760-2	INNER HOUSING COMPLETE	1	
049	211051-0	BALL BEARING 609LLB	1	
050	241883-1	FAN 60	1	
051	*****	*****	***	*****
052	*****	*****	***	*****
053	211021-9	BALL BEARING 607LLB	1	
054	253842-3	FLAT WASHER 14	1	
055	415628-5	BAFFLE PLATE	1	
056	211012-0	BALL BEARING 606ZZ	1	
057	226293-3	SPUR GEAR 10	1	
058	633313-0	FIELD 220V	1	

SPARE PARTS LIST

MODEL NO. HR2410

ITEM	PART NO.	DESCRIPTION	QTY	NOTE
059	253744-3	FLAT WASHER 12	1	
060	233089-5	COMPRESSION SPRING 12	1	
061	*****	*****	***	*****
062	267131-0	FLAT WASHER 8	1	
063	226725-0	STRAIGHT BEVEL GEAR 14	1	
064	233110-0	COMPRESSION SPRING 8	1	
065	857630-6	NAME PLATE HR2410	1	
066	415630-8	GEAR COVER	1	
067	911526-6	PAN HEAD SCREW M4X16	2	
068	*****	*****	***	*****
069	682516-3	CORD GUARD 9.3-85	1	
070	665865-3	POWER SUPPLY CORD 1.0-2-2.5	1	
071	*****	*****	***	*****
072	265995-6	TAPPING SCREW 4X18	2	
073	*****	*****	***	*****
074	645253-0	NOISE SUPPRESSOR	1	
075	643923-5	BRUSH HOLDER	2	
076	191962-4	CARBON BRUSH CB-419	1	
077	266052-3	TAPPING SCREW 4X60	2	
078	415629-3	SWITCH LEVER	1	
079	819063-3	MAKITA LABEL	1	
080	415627-7	HANDLE COVER	1	
081	266045-0	TAPPING SCREW 4X20	4	
083	233203-3	COMPRESSION SPRING 38	1	
084	231979-6	RING SPRING 17	1	
085	231936-4	RING SPRING 30.5	1	
086	323819-3	SPRING GUIDE	1	
087	233234-2	COMPRESSION SPRING 35	1	
088	*****	*****	***	*****
089	256447-8	PIN 8	1	
090	344690-2	GUIDE WASHER	1	
A01	321144-6	DEPTH GAUGE	1	
A02	*****	*****	***	*****
B01	134925-7	CHOKE COIL ASS'Y	1	
B02	134926-5	CHOKE COIL ASS'Y	1	
E06	*****	*****	***	*****
E07	*****	*****	***	*****
E09	122573-4	CHUCK ADAPTER ASS'Y	1	
E10	192892-2	KEYLESS DRILL CHUCK	1	
E11	122823-7	KEYLESS DRILL CHUCK ASSEMBLY	1	