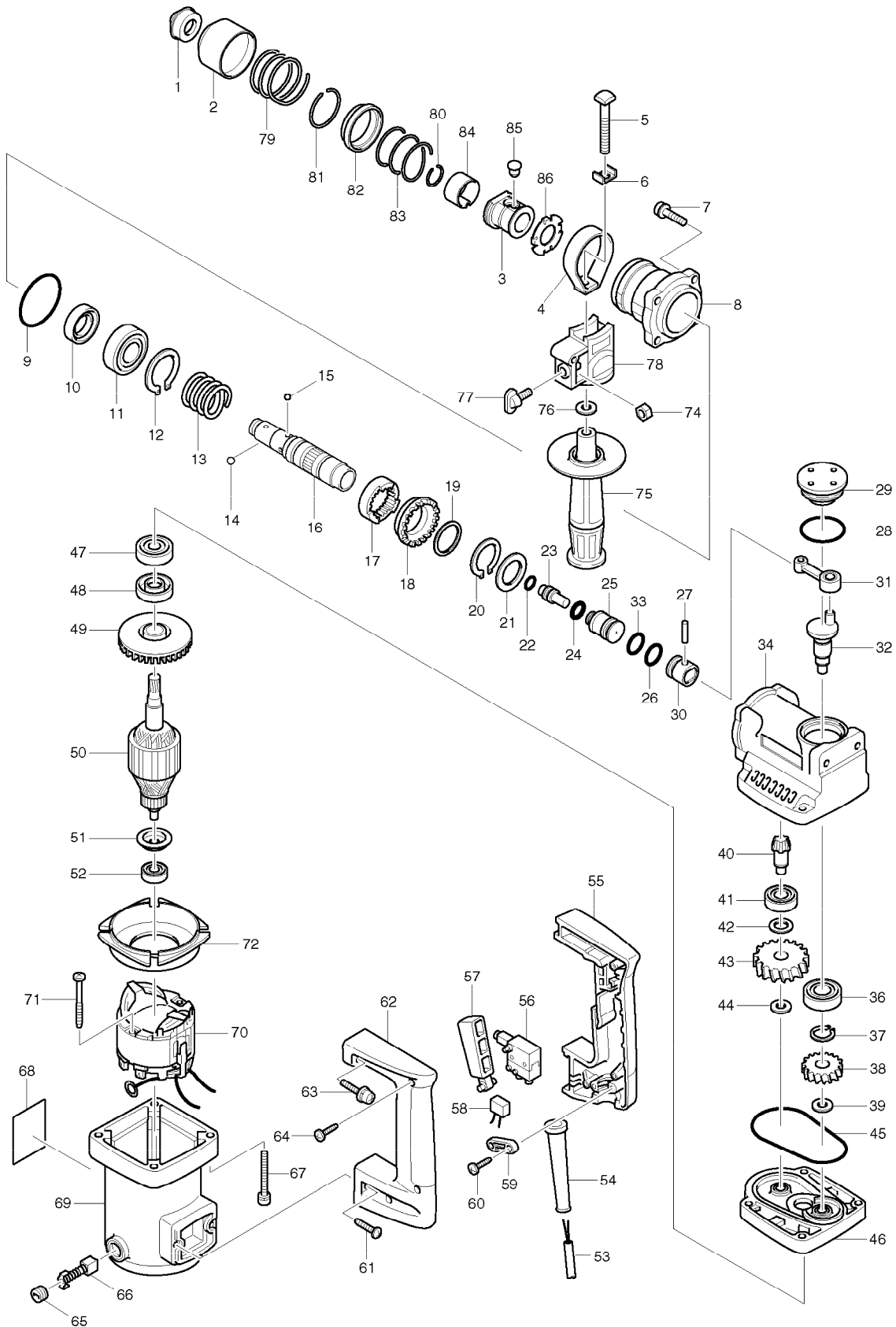


SERVICE DRAWING

MODEL NO. HR2010



SPARE PARTS LIST

MODEL NO. HR2010

ITEM	PART NO.	DESCRIPTION	QTY	NOTE
001	*****	*****	***	*****
002	*****	*****	***	*****
003	*****	*****	***	*****
004	344205-5	BELT	1	
005	266092-1	SQUARE BOLT M8X60	1	
006	267719-6	SQUARE WASHER 9	1	
007	922231-0	HEX. SOCKET HEAD BOLT M5X20	4	
008	*****	*****	***	*****
009	213604-1	O RING 50	1	
010	213313-2	OIL SEAL 20	1	
011	211304-7	BALL BEARING 6004	1	
012	961110-7	RETAINING RING S-30	1	
013	233145-1	COMPRESSION SPRING 31	1	
014	*****	*****	***	*****
015	216011-7	STEEL BALL 5.6	4	
016	*****	*****	***	*****
017	223112-4	CLUTCH CAM	1	
018	226732-3	SPIRAL BEVEL GEAR 33	1	
019	267127-1	FLAT WASHER 26	1	
020	961106-8	RETAINING RING S-26	1	
021	267148-3	FLAT WASHER 23	1	
022	213063-9	O RING 10	1	
023	*****	*****	***	*****
024	213117-2	O RING 11	1	
025	322864-5	STRIKER	1	
026	213172-4	O RING 15	1	
027	256123-4	PIN 5	1	
028	213510-0	O RING 36	1	
029	415902-1	CRANK CAP	1	
030	316819-0	PISTON	1	
031	152504-9	CONNECTING ROD COMPLETE	1	
032	322842-5	CRANK SHAFT	1	
033	213172-4	O RING 15	1	
034	159847-0	CRANK HOUSING COMPLETE	1	
036	211204-1	BALL BEARING 6002	1	
037	961055-9	RETAINING RING S-15	1	
038	226458-7	HELICAL GEAR 29	1	
039	253865-1	FLAT WASHER 8	1	
040	226731-5	SPIRAL BEVEL GEAR 9	1	
041	211104-5	BALL BEARING 6001	1	
042	253744-3	FLAT WASHER 12	1	
043	226459-5	HELICAL GEAR 43	1	
044	253865-1	FLAT WASHER 8	1	
045	213760-7	O RING 78	1	
046	159846-2	GEAR HOUSING COMPLETE	1	
047	211064-1	BALL BEARING 6000	1	
048	213112-2	OIL SEAL 12	1	
049	241879-2	FAN 60	1	
050	516269-1	ARMATURE ASS'Y 240V	1	
051	681625-5	INSULATION WASHER	1	
052	211033-2	BALL BEARING 608LB	1	
053	665890-4	POWER SUPPLY CORD 1.0-2-4.0	1	
054	*****	*****	***	*****
055	182816-6	HANDLE SET	1	

SPARE PARTS LIST

MODEL NO. HR2010

ITEM	PART NO.	DESCRIPTION	QTY	NOTE
056	651919-2	SWITCH SGE106CV-1P	1	
057	415903-9	SWITCH LEVER	1	
058	645253-0	NOISE SUPPRESSOR	1	
059	*****	*****	***	*****
060	265995-6	TAPPING SCREW 4X18	2	
061	266041-8	TAPPING SCREW 5X25	2	
062	182816-6	HANDLE SET	1	
063	911243-8	PAN HEAD SCREW M5X25	2	
064	265995-6	TAPPING SCREW 4X18	3	
065	643600-9	BRUSH HOLDER CAP 6-10	2	
066	181038-5	A.C. CARBON BRUSH CB-105	1	
067	922910-0	HEX. SOCKET HEAD BOLT M5X45	4	
068	858055-7	NAME PLATE HR2010	1	
069	159889-4	MOTOR HOUSING COMPLETE	1	
070	594254-4	FIELD ASS'Y 240V	1	
071	266046-8	TAPPING SCREW 5X50	2	
072	415904-7	BAFFLE PLATE	1	
074	931202-6	HEX. NUT M5	1	
075	152521-9	GRIP 36 COMPLETE	1	
076	253865-1	FLAT WASHER 8	1	
077	265720-5	THUMB SCREW M5X14	1	
078	415658-6	GRIP BASE	1	
079	233203-3	COMPRESSION SPRING 38	1	
080	231979-6	RING SPRING 17	1	
081	231936-4	RING SPRING 30.5	1	
082	323819-3	SPRING GUIDE	1	
083	233234-2	COMPRESSION SPRING 35	1	
084	*****	*****	***	*****
085	256447-8	PIN 8	1	
086	344690-2	GUIDE WASHER	1	
A01	321144-6	DEPTH GAUGE	1	
A02	824464-2	PLASTIC CARRYING CASE	1	
A03	421342-3	DUST CUP 5	1	