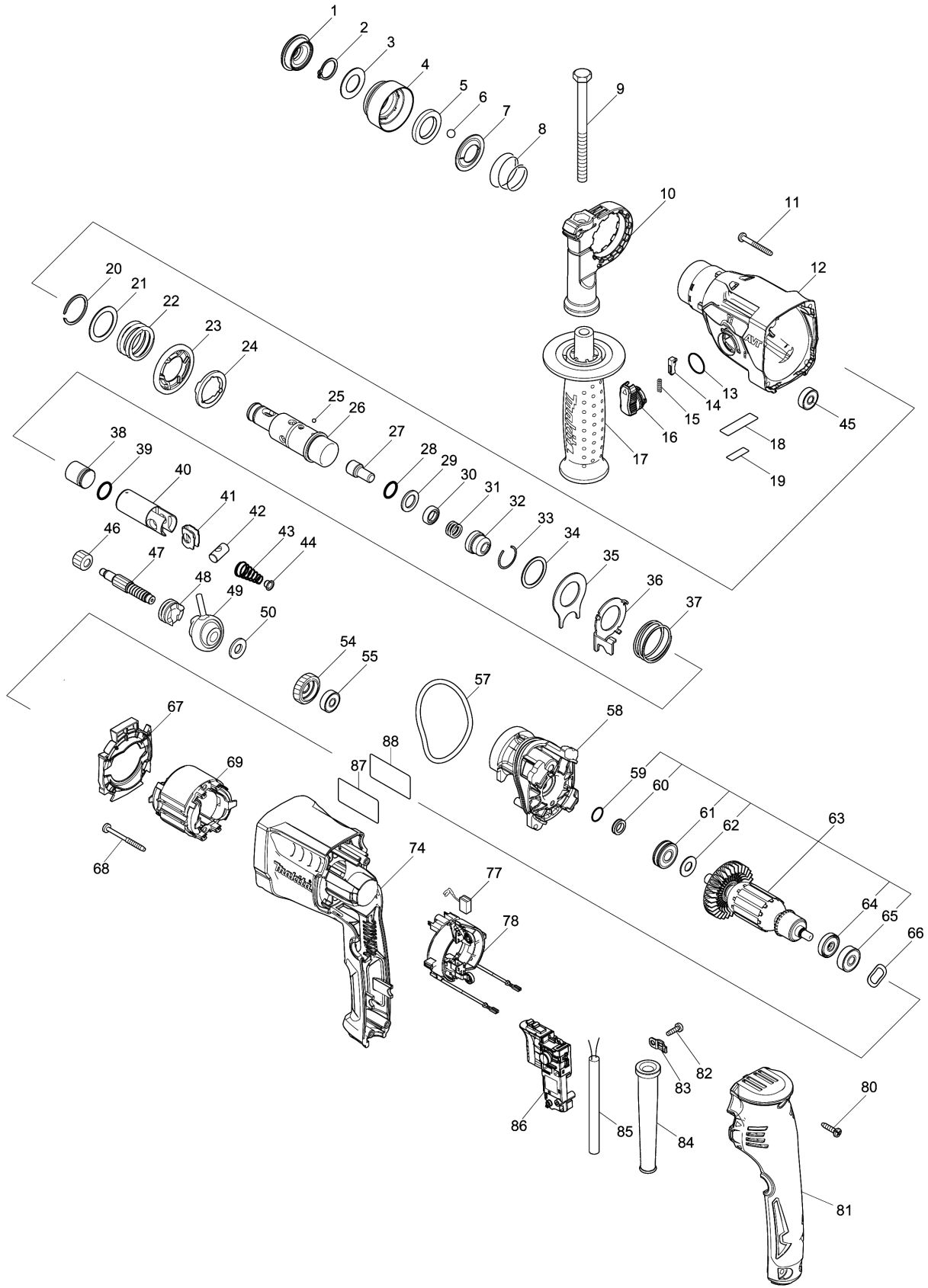


Model No.HR1840 18MM ROTARY HAMMER



Model No.HR1840 18MM ROTARY HAMMER

Item	Parts No.	Description	I/C	Qty	New/Old	Opt. 1	Opt. 2	Note
001	286037-3	CAP 34		1				
002	961057-5	RETAINING RING S-17		1				
003	253377-4	FLAT WASHER 17		1				
004	457214-6	CHUCK COVER		1				
005	257416-2	RING 21		1				
006	216022-2	STEEL BALL 7.0		2				
007	346177-0	GUIDE WASHER		1				
008	232347-6	CONICAL COMP. SPRING 21-29		1				
009	921923-8	HEX. BOLT M8X120		1				
010	417911-6	GRIP BASE		1				
011	266053-1	TAPPING SCREW 4X35		4				
012	144272-8	GEAR HOUSING COMPLETE		1				
C10	213636-8	OIL SEAL 25		1				
C20	211375-4	BALL BEARING 6805LLB		1				
013	213278-8	O RING 17		1				
014	161568-2	LOCK BUTTON COMPLETE		1				
015	232344-2	COMPRESSION SPRING 3		1				
016	161569-0	CHANGE LEVER COMPLETE		1				
017	158057-6	GRIP 36 COMPLETE		1				
C10	931402-8	HEX. NUT M8		1				
018	457356-6	PLATE		1				
019	853K43-5	HR1840 SERIAL NO. LABEL		1				
020	961135-1	RETAINING(EXT) WR-25		1	*			
020-1	347555-7	SPIRAL RETAINING RING 25	O	1				
021	267304-5	FLAT WASHER 25		1				
022	232360-4	COMPRESSION SPRING 25		1				
023	221494-8	SPUR GEAR 44		1				
024	327039-1	DRIVING FLANGE		1				
025	216019-1	STEEL BALL 3		3				
026	326886-7	TOOL HOLDER		1				
027	326887-5	IMPACT BOLT		1				
028	213117-2	O RING 11		1				
029	253380-5	FLAT WASHER 13		1				
030	326888-3	RING 10		1				
031	232357-3	COMPRESSION SPRING 10A		1				
032	327038-3	CUP SLEEVE		1				
033	233942-5	RING SPRING 22		1				
034	267175-0	FLAT WASHER 24		1				
035	345681-6	JOINT PLATE		1				
036	347128-6	CHANGE PLATE		1				
037	233458-0	COMPRESSION SPRING 32		1				
038	326889-1	STRIKER		1				

Please order the parts with part number.

Print Date 28/1/2022

Model No.HR1840 18MM ROTARY HAMMER

Item	Parts No.	Description	I/C	Qty	New/Old	Opt. 1	Opt. 2	Note
039	213832-8	O-RING 13		1				
040	326890-6	PISTON CYLINDER		1				
041	347127-8	GUIDE PLATE		1				
042	324612-8	PISTON JOINT		1				
043	232361-2	CONICAL COMP. SPRING 6-13		1				
044	347130-9	SPRING GUIDE		1				
045	211016-2	BALL BEARING 626LLB		1				
046	221495-6	SPUR GEAR 12		1				
047	326892-2	CAM SHAFT		1				
048	326891-4	CLUCTH CAM		1				
049	219029-7	SWASH BEARING 9		1				
050	253383-9	FLAT WASHER 9		1				
054	221496-4	HELICAL GEAR 23		1				
055	211016-2	BALL BEARING 626LLB		1				
057	213833-6	O-RING 60		1				
058	144270-2	INNER HOUSING COMPLETE		1				
059	213118-0	O RING 12		1				
060	326893-0	RING 9		1				
061	210162-8	BALL BEARING 609LLU		1				
062	267231-6	FLAT WASHER 9		1				
063	513989-8	ARMATURE ASS'Y 240V		1				
D10		INC. 59-62,64,65						
064	681670-0	INSULATION WASHER		1				
065	210023-2	BALL BEARING 627DDW		1				
066	267804-5	WAVE WASHER 15		1				
067	457351-6	BUFFLE PLATE B		1				
068	266069-6	TAPPING SCREW 4X45		2				
069	633994-0	FIELD		1				
074	457353-2	MOTOR HOUSING B		1				
077	194722-3	CARBON BRUSH CB-459		1				
078	632K41-0	BRUSH HOLDER UNIT		1				
080	266326-2	TAPPING SCREW 4X18		3				
081	457354-0	HANDLE COVER		1				
082	266385-6	TAPPING SCREW 4X14		1				
083	687682-1	STRAIN RELIEF		1				
084	682566-8	CORD GUARD 10		1				
085	665890-4	POWER SUPPLY CORD 1.0-2-4.0		1				
086	651086-3	SWITCH TG853TB-2		1				
087	853K39-6	HR1840 NAME PLATE		1				
088	813E00-9	CLEAR LABEL		1				
A01	415486-9	DEPTH GAUGE		1				
A02	821706-5	PLASTIC CARRYING CASE		1				

Please order the parts with part number.

Print Date 28/1/2022

Model No.HR1840 18MM ROTARY HAMMER

Item	Parts No.	Description	I/C	Qty	New/Old	Opt. 1	Opt. 2	Note
C10	162315-4	LATCH		2				
C20	324679-6	SHAFT		1				
C30	457340-1	HANDLE		1				
A03	813D85-9	HR1840 PLASTIC CASE LABEL		1				
B01	198627-9	HAMMER SERVICE KIT		1				
C10	195127-0	OIL VESSEL SET		1				
D10		INC. 1,2,6,28,33,39,77						

Please order the parts with part number.

Print Date 28/1/2022