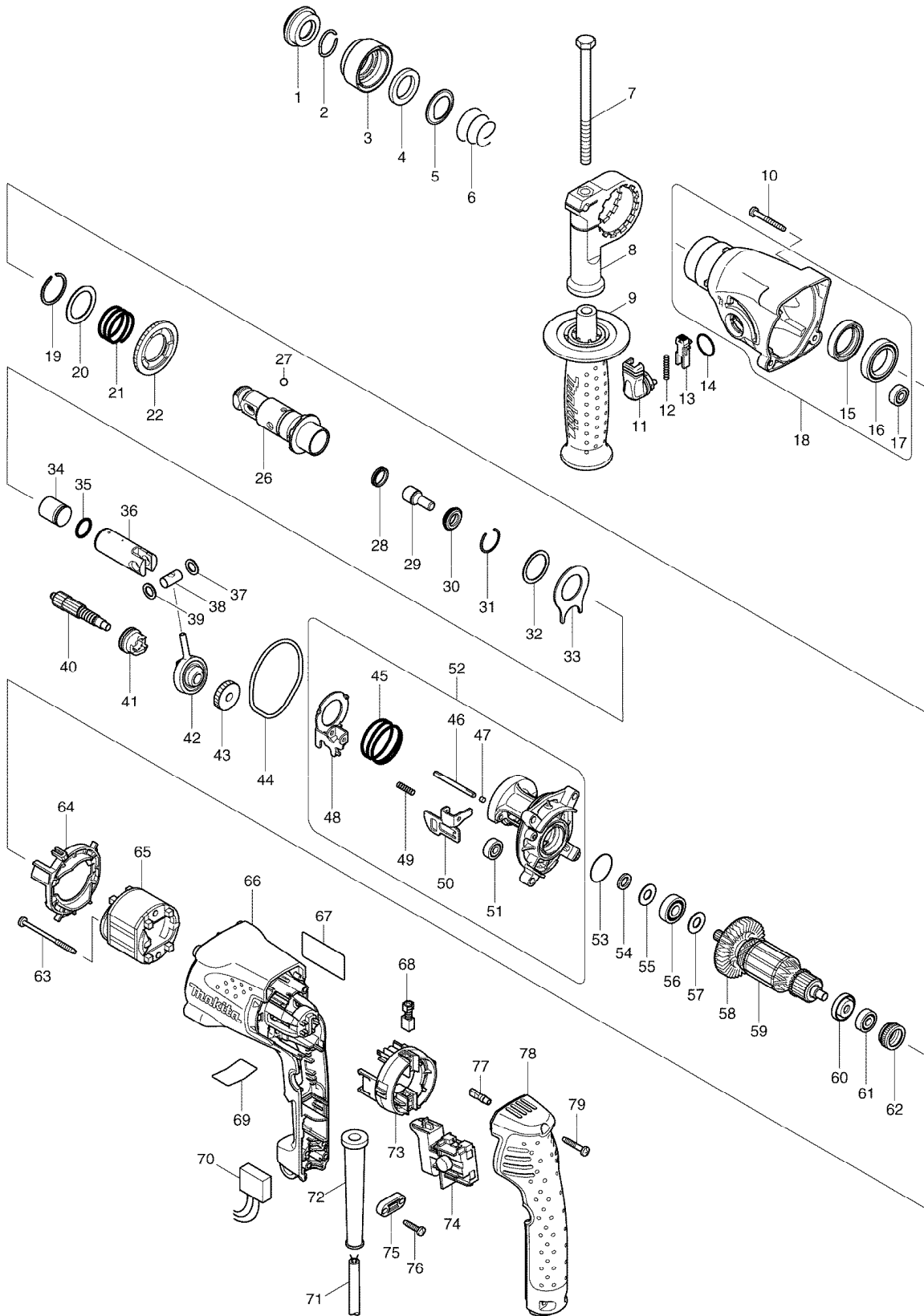


SERVICE DRAWING

MODEL NO. HR1830



SPARE PARTS LIST

MODEL NO. HR1830

ITEM	PART NO.	DESCRIPTION	QTY	NOTE
001	286263-4	CAP 35	1	
002	233940-9	RING SPRING 19	1	
003	419220-9	CHUCK COVER	1	
004	257241-1	RING 21	1	
005	345187-4	GUIDE WASHER	1	
006	233916-6	CONICAL COMP. SPRING 21-29	1	
007	921923-8	HEX. BOLT M8X120	1	
008	417911-6	GRIP BASE	1	
009	*****	*****	***	*****
010	266053-1	TAPPING SCREW 4X35	4	
011	162242-5	CHANGE LEVER COMPLETE	1	
012	233459-8	COMPRESSION SPRING 3	1	
013	419192-8	LOCK BUTTON	1	
014	213278-8	O RING 17	1	
015	213956-0	OIL SEAL 25	1	
016	211375-4	BALL BEARING 6805LLB	1	
017	211012-0	BALL BEARING 606ZZ	1	
018	154840-9	GEAR HOUSING COMPLETE	1	
019	961135-1	RETAINING(EXT) WR-25	1	
020	267304-5	FLAT WASHER 25	1	
021	233457-2	COMPRESSION SPRING 25	1	
022	331707-0	SPUR GEAR 46	1	
026	154843-3	TOOL HOLDER COMPLETE	1	
027	216022-2	STEEL BALL 7.0	1	
028	213183-9	X RING 13	1	
029	324611-0	IMPACT BOLT	1	
030	257275-4	RING 11	1	
031	233942-5	RING SPRING 22	1	
032	267175-0	FLAT WASHER 24	1	
033	345681-6	JOINT PLATE	1	
034	324613-6	STRIKER	1	
035	213182-1	O RING 14	1	
036	331708-8	PISTON CYLINDER	1	
037	267130-2	FLAT WASHER 9	1	
038	324612-8	PISTON JOINT	1	
039	267130-2	FLAT WASHER 9	1	
040	227152-4	SPUR GEAR 10	1	
041	331706-2	CLUTCH CAM	1	
042	219019-0	SWASH BEARING 9	1	
043	226620-4	HELICAL GEAR 23	1	
044	423346-1	SEAL RING	1	
045	233458-0	COMPRESSION SPRING 32	1	
046	268147-8	PIN 4	1	
047	443123-5	FELT 4X3	1	
048	345645-0	CHANGE PLATE	1	
049	233460-3	COMPRESSION SPRING 3	1	
050	345654-9	STOPPER PLATE	1	
051	211012-0	BALL BEARING 606ZZ	1	
052	154841-7	INNER HOUSING COMPLETE	1	
053	213953-6	O RING 24	1	
054	267302-9	FLAT WASHER 9	1	
055	267231-6	FLAT WASHER 9	1	
056	210060-6	BALL BEARING 609LLU	1	
057	267231-6	FLAT WASHER 9	1	

SPARE PARTS LIST

MODEL NO. HR1830

ITEM	PART NO.	DESCRIPTION	QTY	NOTE
058	240083-0	FAN 52	1	
059	515649-8	ARMATURE ASS'Y 240V	1	
060	681636-0	INSULATION WASHER	1	
061	210017-7	BALL BEARING 607DDW	1	
062	421868-5	LABYRINTH RUBBER RING 19	1	
063	266091-3	TAPPING SCREW 4X50	2	
064	419196-0	BAFFLE PLATE	1	
065	633624-3	FIELD 220-240V	1	
066	419198-6	MOTOR HOUSING	1	
067	862449-0	HR1830 NAME PLATE	1	
068	191962-4	CARBON BRUSH CB-419	1	
069	814928-4	HR1830 SERIAL NUMBER LABEL	1	
070	645200-1	NOISE SUPPRESSOR	1	
071	665890-4	POWER SUPPLY CORD 1.0-2-4.0	1	
072	682566-8	CORD GUARD 10	1	
073	638236-7	BRUSH HOLDER UNIT	1	
074	650570-5	SWITCH TG843TB-2	1	
075	687052-4	STRAIN RELIEF	1	
076	265995-6	TAPPING SCREW 4X18	2	
077	686038-5	RECEPTACLE SLEEVE	2	
078	419197-8	HANDLE COVER	1	
079	265999-8	TAPPING SCREW 4X25	3	
A01	415486-9	DEPTH GAUGE	1	
A02	804343-0	HR1830 MODEL NO. LABEL	1	
A03	824650-5	PLASTIC CARRYING CASE	1	