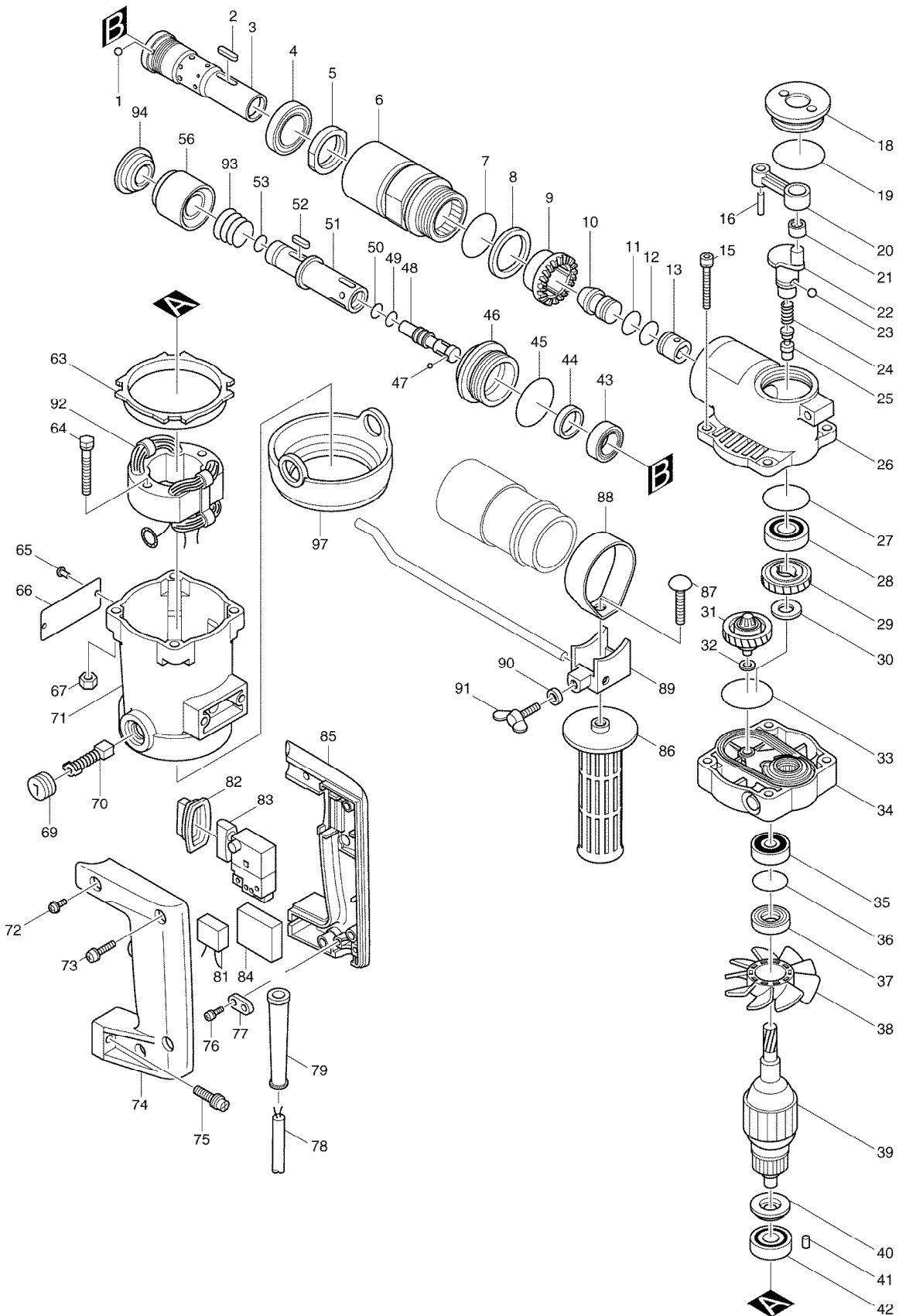


SERVICE DRAWING

MODEL NO. HR1820



SPARE PARTS LIST

MODEL NO. HR1820

ITEM	PART NO.	DESCRIPTION	QTY	NOTE
001	216007-8	STEEL BALL 6.4	3	
002	254231-5	KEY 4	1	
003	331269-8	CYLINDER LINER 20	1	
004	211443-3	BALL BEARING 3007	1	
005	252214-9	NUT M30.3-36	1	
006	153156-9	BARREL COMPLETE	1	
007	213507-9	O RING 40	1	
008	253854-6	FLAT WASHER 30	1	
009	221358-6	SPIRAL BEVEL GEAR 26	1	
010	321814-7	STRIKER	1	
011	213214-4	O RING 16	1	
012	213214-4	O RING 16	1	
013	321483-4	PISTON	1	
015	922371-4	HEX. SOCKET HEAD BOLT M6X50	4	
016	256123-4	PIN 5	1	
018	410018-7	CRANK CAP	1	
019	213460-9	O RING 35	1	
020	321489-2	ROD	1	
021	212005-0	NEEDLE BEARING 810	1	
022	321485-0	CRANK SHAFT	1	
023	216011-7	STEEL BALL 5.6	2	
024	231327-9	COMPRESSION SPRING 6	1	
025	321484-2	CHANGE PIN 8	1	
026	156911-8	CRANK HOUSING	1	
027	213459-4	O RING 32	1	
028	211204-1	BALL BEARING 6002	1	
029	221705-1	HELICAL GEAR 29	1	
030	253853-8	FLAT WASHER 15	1	
031	151153-9	TORQUE LIMITER COMPLETE	1	
032	253715-0	FLAT WASHER 6	1	
033	213707-1	O RING 65	1	
034	156910-0	GEAR HOUSING	1	
035	211069-1	BALL BEARING 6200	1	
036	213406-5	O RING 30	1	
037	213157-0	OIL SEAL 13	1	
038	241820-5	FAN 67	1	
039	512778-8	ARMATURE ASS'Y 220V 220V	1	220V
040	681625-5	INSULATION WASHER	1	
041	263014-2	RUBBER PIN 4	1	
042	211033-2	BALL BEARING 608LB	1	
043	213377-6	OIL SEAL 21	1	
044	443061-1	FELT RING 20	1	
045	213507-9	O RING 40	1	
046	322095-6	SEAL HOLDER	1	
047	216007-8	STEEL BALL 6.4	3	
048	321616-1	IMPACT BOLT	1	
049	213058-2	O RING 10	1	
050	213058-2	O RING 10	1	
051	322254-2	DRILL HOLDER	1	
052	322255-0	ROLLER 6.5	2	
053	213064-7	O RING 10	1	
056	414425-6	CHANGE RING	1	
063	410043-8	BAFFLE PLATE	1	
064	265342-1	+ HEX. BOLT M5X40	2	

SPARE PARTS LIST

MODEL NO. HR1820

ITEM	PART NO.	DESCRIPTION	QTY	NOTE
065	953106-2	RIVET 0-5	2	
066	855163-5	NAME PLATE HR1820	1	
067	931302-2	HEX. NUT M6	4	
069	643600-9	BRUSH HOLDER CAP 6-10	2	
070	181038-5	A.C. CARBON BRUSH CB-105	1	
071	159541-4	MOTOR HOUSING	1	
072	911323-0	PAN HEAD SCREW M6X16	2	
073	911238-1	PAN HEAD SCREW M5X22	3	
074	181488-4	HANDLE SET	1	
075	911343-4	PAN HEAD SCREW M6X25	2	
076	911133-5	PAN HEAD SCREW M4X18	2	
077	687031-2	STRAIN RELIEF	1	220/240V
078	665883-1	POWER SUPPLY CORD 1.0-2-5.0	1	
079	682540-6	CORD GUARD 9.3-90	1	220/240V
080	646325-4	LINE COIL	1	220/240V
081	645173-8	NOISE SUPPRESSOR	1	
082	421145-5	DUST COVER	1	
083	651258-0	SWITCH SGE106CV-1A	1	
084	685700-9	SPONGE SHEET	1	
085	181488-4	HANDLE SET	1	
086	273496-0	GRIP 32	1	
087	923456-9	CAP SQUARE NECK BOLT M8X35	1	
088	341539-7	BELT	1	
089	315145-4	GRIP BASE	1	
090	261042-1	RUBBER WASHER 4.5	1	
091	924216-2	WING BOLT M5X15	1	
092	528290-8	FIELD ASS'Y 220V	1	220V
093	231946-1	CONICAL COMPR. SPRING 21-25	1	
094	286220-2	CAP 34	1	
097	421456-8	PROTECTOR	1	
400	122375-8	DUST COLLECTER ASS'Y	1	
401	*****	*****	***	*****
402	321144-6	DEPTH GAUGE	1	
405	*****	*****	***	*****